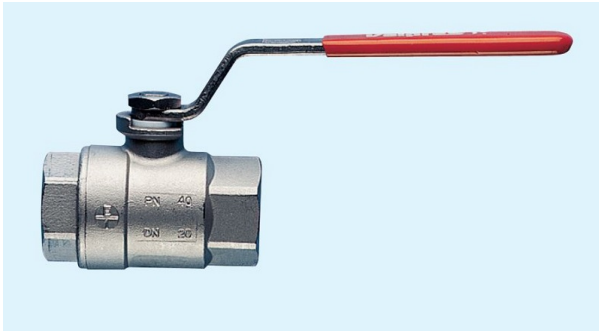


www.pfcstore.com - 763-425-7890 / 800-328-2350



BONOMI BALL VALVE SERIES 700023, 1/4" TO 2"

CONTACT US FOR PRICING

2-piece stainless steel FNPT threaded ball valve, full port. Pressure rating 1000 psi - 150 psi steam. Temperature range -4°F to +366°F. Blow-out proof stem. PTFE seats, packing, and thrust washer.

100% electronically tested in the open and closed position at 80 psi. ANSI B1.20.1 connections. 700023: size 1/4" to 2".

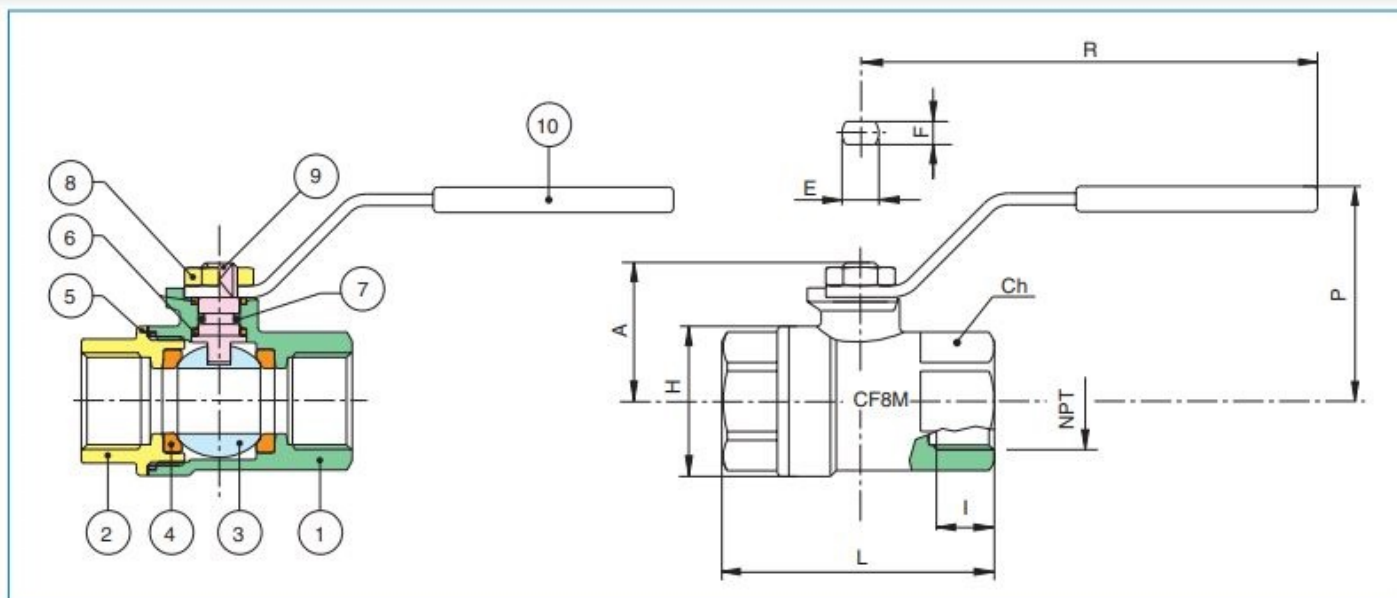


SKU: 700023

Stock: Out of stock contact us for lead time

Categories: [Bonomi Valves](#)

PRODUCT DESCRIPTION



NPOS	PART NAME	MATERIAL	NPOS	SIZE	A	H	L	R	CH	I	E	F	P	Cv	psi	Weight Lbs
1	BODY	CF8M	1	1/4"	1.10	1.18	2.10	4.35	0.86	0.39	0.31	0.19	1.75	6.36	1000	0.48
2	END CONNECTION	CF8M	1	3/8"	1.10	1.18	2.10	4.35	0.86	0.39	0.31	0.19	1.75	9.83	1000	0.44
3	BALL	AISI 316 - CF8M	1	1/2"	1.20	1.27	2.36	4.35	1.06	0.51	0.31	0.19	1.85	22.21	1000	0.55
4	BALL SEAT	PTFE	2	3/4"	1.45	1.57	2.75	5.17	1.25	0.55	0.39	0.27	2.14	40.50	600	1.00
5	SEAL	PTFE	1	1"	1.61	1.92	3.11	5.17	1.61	0.66	0.39	0.27	2.30	74.63	600	1.88
6	STEM SEAL	PTFE	2	1 1/4"	1.96	2.44	3.58	6.87	1.96	0.74	0.47	0.31	2.70	120.10	350	2.66
7	O-RING	FKM (Viton)	1	1 1/2"	2.24	2.95	4.05	6.87	2.16	0.76	0.47	0.31	3.01	201.32	350	4.00
8	NUT	AISI 304	1	2"	2.59	3.74	4.88	6.87	2.75	0.88	0.47	0.31	3.38	348.60	350	6.00
9	STEM	AISI 316	1													
10	HANDLE	AISI 430	1													



ADDITIONAL INFORMATION

www.pfcestore.com - 763-425-7890 / 800-328-2350

CONTACT US FOR PRICING

2-piece stainless steel FNPT threaded ball valve, full port. Pressure rating 1000 psi - 150 psi steam. Temperature range -4°F to +366°F. Blow-out proof stem. PTFE seats, packing, and thrust washer. 100% electronically tested in the open and closed position at 80 psi. ANSI B1.20.1 connections. 700023: size 1/4" to 2".