

www.pfcstore.com - 763-425-7890 / 800-328-2350



BONOMI BUTTERFLY VALVE, WAFER STYLE 1.5" TO 12"

CONTACT US FOR PRICING

NYLON 11 COATED DISC or CF8M SS DISC

Manually operated Wafer butterfly valves. Pressure rating: 250 psi water (40°F to 80°F). Epoxy coated cast iron wafer body. ISO 5211 direct mounting pad/square stem. Food grade EPDM resilient seat -30°F to 250°F. API609 face to face flange. Floating dual shaft disc design. MSS SP 67 compliant. No pins in disc prevent potential leak points. NSF certified for drinking water service,(EPDM seats only). N500N: size 2" to 12". N500S: size 1 1/2" to 12". 530S: VITON SEATS - size 2" to 12". 540S: BUNA-N SEATS - size 2" to 12".

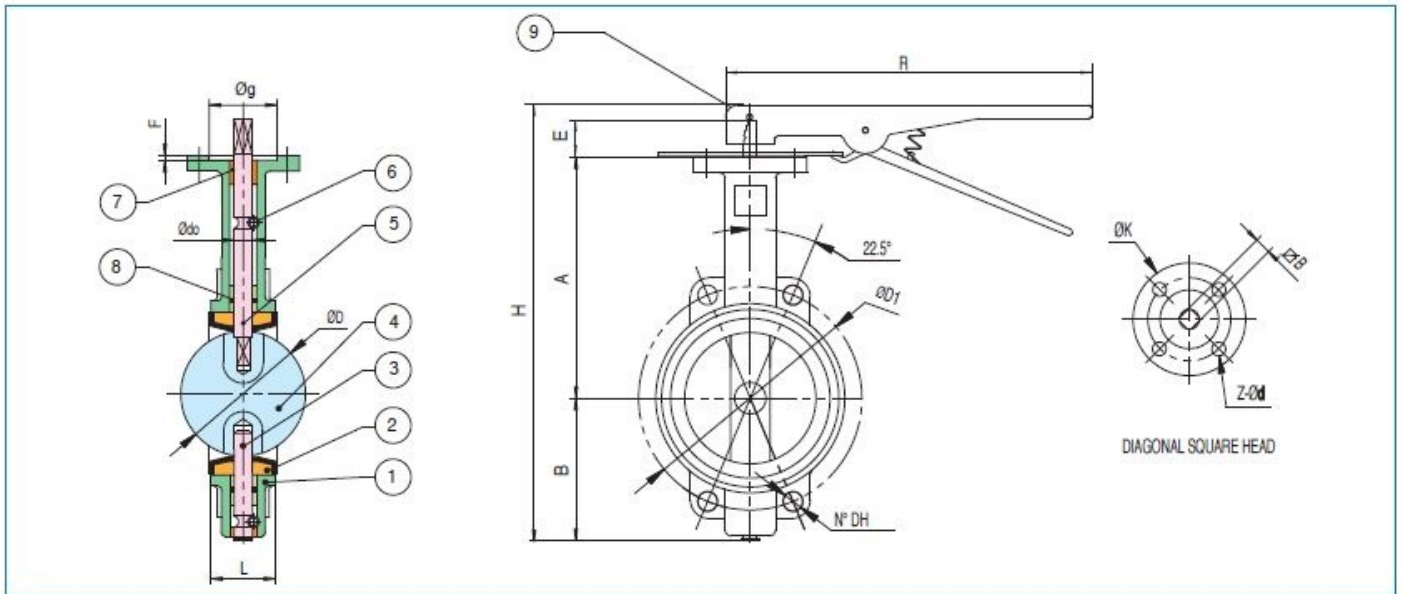


SKU: N500N-N500S

Stock: Out of stock contact us for

lead time
Categories: Bonomi Valves

PRODUCT DESCRIPTION



QTY	PART NAME	MATERIAL	QTY	SIZE	ISO 5211	B	A	B	L	ØD	E	H	R	Ødo	UPPER FLANGE				DISC ØD1	WAFER N°-DH	Weight Lbs	SEAT TORQUE		Cv (GPM@ 1psi)	
															ØK	Z-d	Øg	F				100 psi	200 psi	50% OP	100% OP
1	BODY	CAST IRON	1	1 1/2"	F05	9 mm	5.71	2.97	1.61	1.67	0.47	9.40	10.63	0.50	3.03	4-0.28	1.38	0.12	4.74	4-0.75	5.0	111	133	35	108
2	SEAT	EPDM (30F to 250F)	1	2"	F05	9 mm	6.34	3.15	1.65	2.07	0.47	10.21	10.63	0.50	3.03	4-0.28	1.38	0.12	4.74	4-0.75	5.5	126	146	49	146
3	LOWER SHAFT	AISI 416	1	2 1/2"	F05	9 mm	6.89	3.50	1.76	2.54	0.47	11.11	10.63	0.50	3.03	4-0.28	1.38	0.12	5.49	4-0.75	7.1	134	167	84	284
4	DISC 500N	IRON NYLON 11	1	3"	F05	9 mm	7.13	3.74	1.78	3.10	0.47	11.59	10.63	0.50	3.03	4-0.28	1.38	0.12	6.00	4-0.75	8.4	205	223	128	547
	DISC 500S	STAINLESS STEEL																							
5	UPPER SHAFT	AISI 416	1	4"	F07	11 mm	7.87	4.49	2.05	4.09	0.63	13.24	10.63	0.62	3.54	4-0.35	2.17	0.12	7.50	4-0.75	10.8	339	386	195	844
6	LOCATING PIN	CARBON STEEL	1	5"	F07	14 mm	8.34	5.00	2.14	4.85	0.75	14.34	10.63	0.75	3.54	4-0.35	2.17	0.12	8.50	4-0.87	15.4	523	602	320	1375
				6"	F07	14 mm	8.90	5.47	2.20	6.13	0.75	15.37	10.63	0.75	15.37	10.63	0.75	3.54	4-0.35	2.17	0.12	9.50	4-0.87	17.2	677
7	BUSHING	PTFE	1	8"	F10	17 mm	10.24	6.89	2.34	7.97	0.75	18.38	14.17	0.87	4.92	4-0.47	2.76	0.14	11.75	4-0.87	29.1	1205	1864	745	3340
8	O-RING	EPDM	1	10"	F10	22 mm	11.50	7.99	2.58	9.86	0.94	20.93	19.68	1.12	4.92	4-0.47	2.76	1.40	14.25	4-1.00	42.2	1890	3140	1264	5475
				12"	F10	22 mm	13.27	9.53	3.03	11.87	0.94	24.24	19.68	1.24	24.24	19.68	1.24	5.51	4-0.47	2.76	1.40	17.00	4-1.00	71.5	2808

* 10" and 12" available in bare stem version only.

WARNING: This product can expose you to chemicals including lead, which is known to the State of California to cause cancer and birth defects or other reproductive harm. For more information go to www.p65warnings.ca.gov.



BONOMI
 NORTH AMERICA

www.pfcstore.com - 763-425-7890 / 800-328-2350

ADDITIONAL INFORMATION

CONTACT US FOR PRICING

NYLON 11 COATED DISC or CF8M SS DISC

Manually operated Wafer butterfly valves. Pressure rating: 250 psi water (40°F to 80°F). Epoxy coated cast iron wafer body. ISO 5211 direct mounting pad/square stem. Food grade EPDM resilient seat -30°F to 250°F. API609 face to face flange. Floating dual shaft disc design. MSS SP 67 compliant. No pins in disc prevent potential leak points. NSF certified for drinking water service,(EPDM seats only). N500N: size 2" to 12". N500S: size 1 1/2" to 12". 530S: VITON SEATS - size 2" to 12". 540S: BUNA-N SEATS - size 2" to 12".