

www.pfcstore.com - 763-425-7890 / 800-328-2350



## BONOMI SANITARY BALL VALVE SERIES 771 CAVITY FILLED, 1/2" TO 4"

### CONTACT US FOR PRICING

### STAINLESS STEEL SANITARY BALL VALVE

Stainless steel, 3-piece direct mount, sanitary full port ball valves with latch locking lever. ISO 5211 direct mount pad/square stem.

Working pressure 1000 psi WOG (1/2" to 2") 800 psi WOG (2 1/2" to 4"). Temperature range -20°F to 450°F. Blow-out proof stem.

- Antistatic Device. International polishing to Ra 15 micron. Tri-clamp style end connections. Ball valves comply with standards: ISO 5211, ANSI B 16.11, MSS SP-25, MSS SP-55. Maintenance free live loaded double sealing stem. Live loaded stem packing design. 771: CAVITY FILLED - size 1/2" to 4".



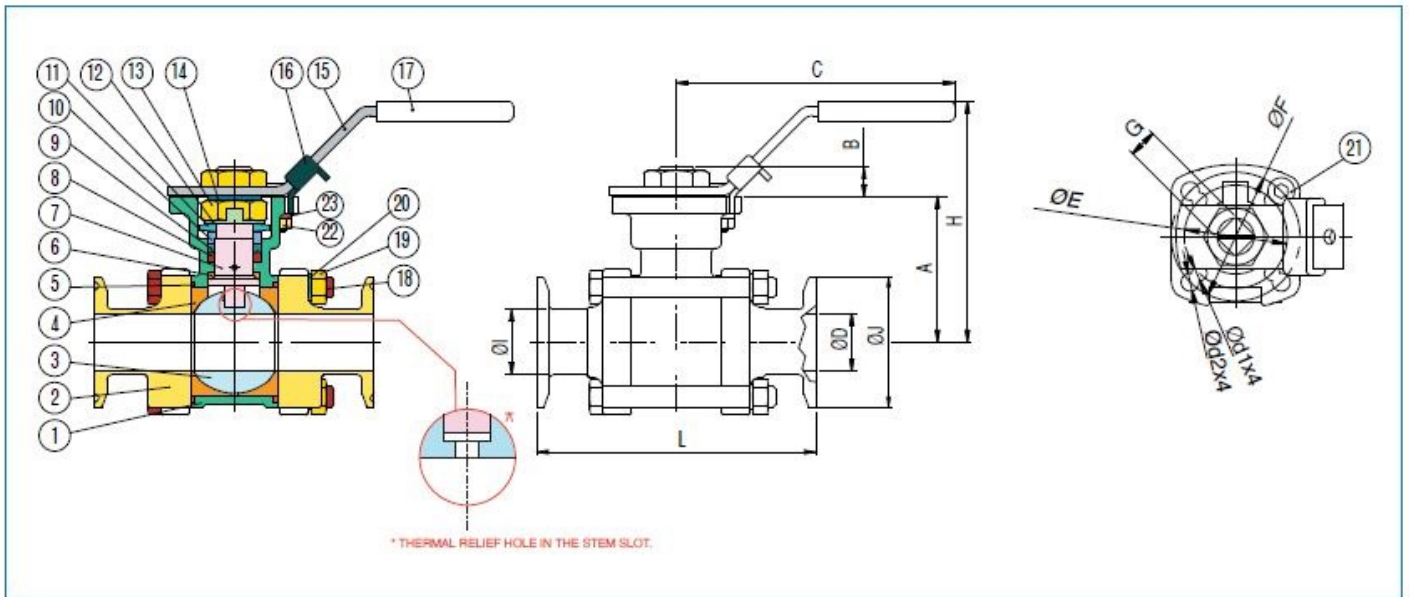
---

**SKU: 771**

**Stock:** Out of stock contact us for

lead time  
**Categories: Bonomi Valves**

## PRODUCT DESCRIPTION



N POS	PART NAME	MATERIAL	N POS	SIZE	ØD	ØI	ØJ	A	B	C	ØE	ØF	G mm	L	H	Ød1	Ød2	CV	psi	ISO 5211	Weight Lbs
1	BODY	CF3M	1	1/2"	0.37	0.50	0.99	1.65	0.25	5.47	1.41	1.65	9	3.50	3.03	0.23	0.23	14	1000	F03/F04	1.67
2	END CONNECTION	CF3M	2	3/4"	0.62	0.74	0.99	1.88	0.27	5.47	1.41	1.65	9	4.00	3.26	0.23	0.23	45	1000	F03/F04	1.91
3	BALL	AISI 316L	1	1"	0.87	1.00	1.98	2.22	0.44	6.49	1.65	1.96	11	4.50	3.77	0.23	0.27	81	1000	F04/F05	3.17
4	SEATS	PTFE	2	1 1/2"	1.37	1.5	1.98	3.05	0.55	8.46	1.96	2.75	14	5.51	5.00	0.29	0.35	215	1000	F05/F07	7.24
5	JOINT GASKET	PTFE	2	2"	1.87	2.00	2.51	3.35	0.55	8.46	1.96	2.75	14	6.25	5.27	0.29	0.35	410	1000	F05/F07	10.10
6	STEM SEAL	RTFE	1	2 1/2"	2.37	2.50	3.04	4.27	0.67	11.81	2.75	4.01	17	6.85	6.57	0.39	0.47	618	800	F05/F07	21.80
7	STEM	AISI 316L	1	3"	2.87	3.00	3.57	4.63	0.71	14.56	2.75	4.01	17	7.60	6.92	0.39	0.47	940	800	F05/F07	29.00
8	GLAND PACKING	PTFE	2	4"	3.83	4.00	4.68	5.21	0.67	14.56	2.75	4.01	17	8.89	7.55	0.39	0.47	1840	800	F05/F07	46.50
9	GLAND PACKING	PTFE+GLASS	1	6"	3.83	5.12	6.57	12.85	4.37	13.78	4.02	4.92	22	12.93	6.89	0.53	0.44	C/F	600	F10/F12	155
10	GLAND BUSH	AISI 304	1																		
11	BELLEVILLE WASHER	AISI 301	2																		
12	STOP WASHER	AISI 304	1																		
13	STEM NUT	AISI 304	2																		
14	STEM WASHER	AISI 304	1																		
15	HANDLE	AISI 304	1																		
16	LOCKING DEVICE	AISI 304	1																		
17	HANDLE SLEEVE	VINYL	1																		
18	BOLT	AISI 304	4																		
19	BOLT NUT	AISI 304	4																		
20	BOLT WASHER	AISI 304	4																		
21	STOP PIN	AISI 304	1																		
22	PIN NUT	AISI 304	1																		
23	WASHER	AISI 304	1																		



[www.pfcstore.com](http://www.pfcstore.com) - 763-425-7890 / 800-328-2350

## ADDITIONAL INFORMATION

### CONTACT US FOR PRICING

#### STAINLESS STEEL SANITARY BALL VALVE

Stainless steel, 3-piece direct mount, sanitary full port ball valves with latch locking lever. ISO 5211 direct mount pad/square stem. Working pressure 1000 psi WOG (1/2" to 2") 800 psi WOG (2 1/2" to 4"). Temperature range -20°F to 450°F. Blow-out proof stem.

- Antistatic Device. International polishing to Ra 15 micron. Tri-clamp style end connections. Ball valves comply with standards: ISO 5211, ANSI B 16.11, MSS SP-25, MSS SP-55. Maintenance free live loaded double sealing stem. Live loaded stem packing design. 771: CAVITY FILLED - size 1/2" to 4".