

www.pfcstore.com - 763-425-7890 / 800-328-2350



DICE DOSING MODULE DS SERIES. SUCTION LIFT. MATERIAL PVDF. CONNECTIONS 1/2"

Contact us for pricing

[Contact us for the DS & DM IOM](#)

Leadtime is usually 2 to 4 weeks



SKU: DIS2X-DDXX-XXXXXXXXZ
Stock: Out of stock contact us for lead time
Categories: [Dice Dosing Module](#)

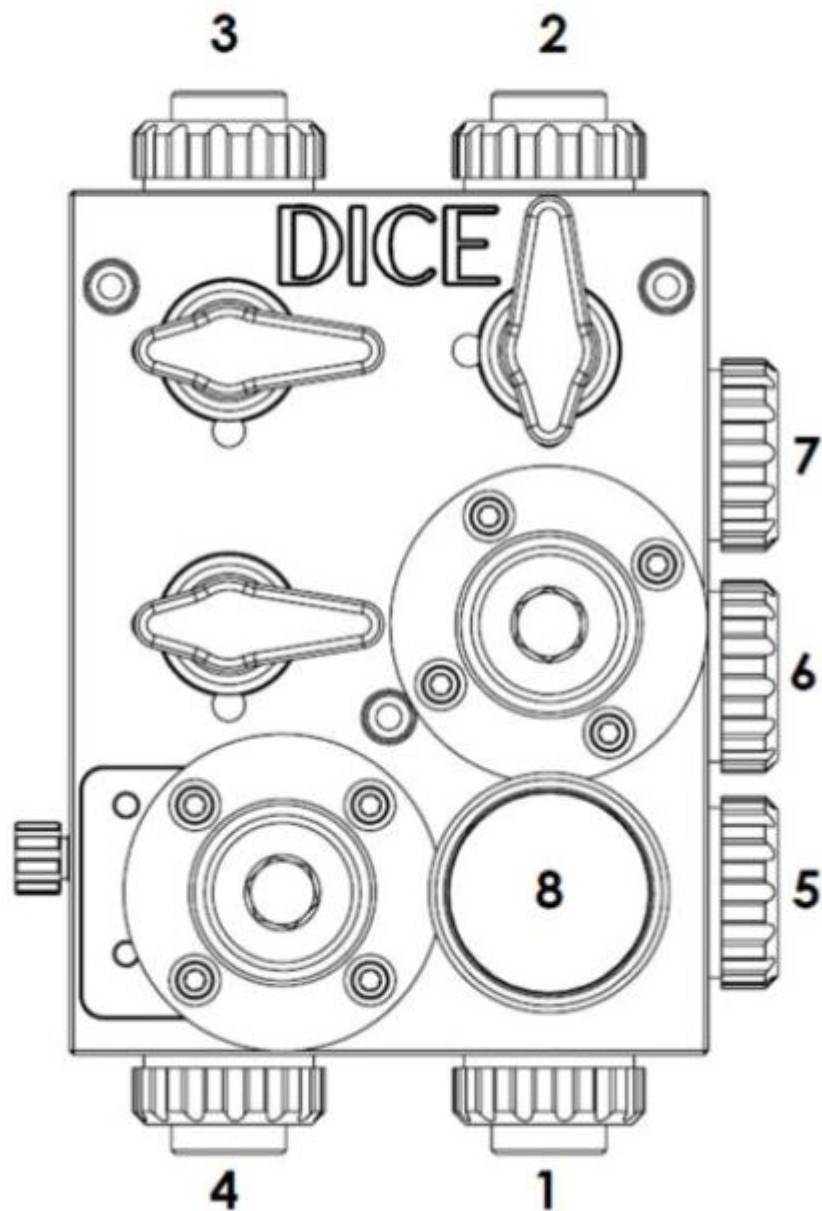
Part Number DIS2X-DDXX-XXXXXXXXZ

PRODUCT DESCRIPTION

Use the chart below to select the location of each connector

DICE™ DS

SUCTION LIFT



www.pfcstore.com - 763-425-7890 / 800-328-2350

Choices of connectors

Connectors

As per numbers in *Model Number Nomenclature*

<p>Mushroom Nut Only</p>  <p>Connector code: 0</p>	<p>1/2" MNPT & Fits LMI Tubing Ferrule Adaptor</p>  <p><small>*LMI Ferrule Kit included; Refer to LMI tubing connection system information sheet</small></p> <p>Connector code: 1</p>
<p>FNPT</p>  <p>Connector code: 2</p>	<p>Socket for SCH 80 Rigid Piping</p>  <p>Connector code: 3</p>

Choices of connectors

www.pfcestore.com - 763-425-7890 / 800-328-2350

CAP



Connector code: 4

G5/8 & Fits Grundfos Tubing
Ferrule Adaptor



**Grundfos Ferrule Kit not included; sold separately*

Connector code: 5

Socket for Metric Rigid Piping



Connector code: 6

Flare connector for PFA Tubing



**Connection nut not included; sold separately*

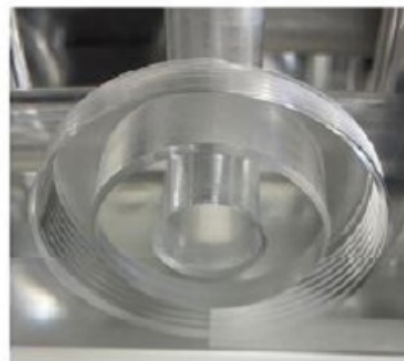
Connector code: 7

Isolator & Pressure Gauge



Connector code: Z

No Connector &
No Mushroom Nut



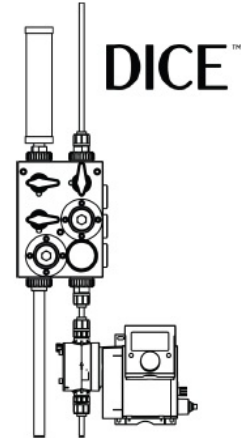
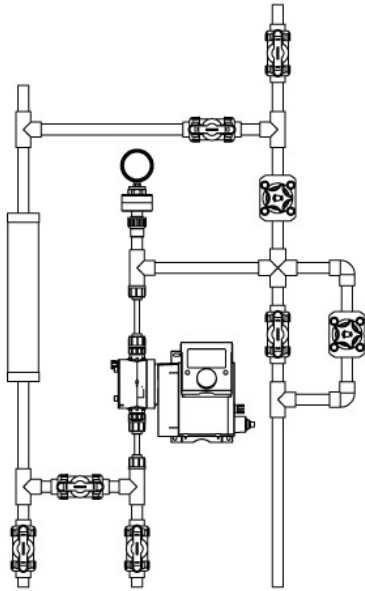
Connector code: W

www.pfcstore.com - 763-425-7890 / 800-328-2350

INTRODUCING DICE™

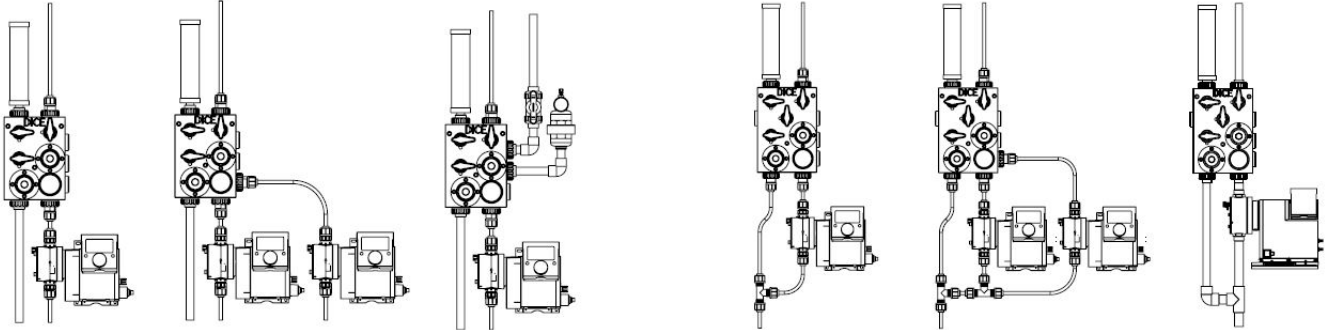
 Before

 Now

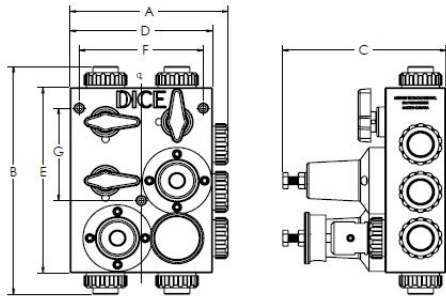


2x
Reduced
Footprint

TYPICAL INSTALLATIONS

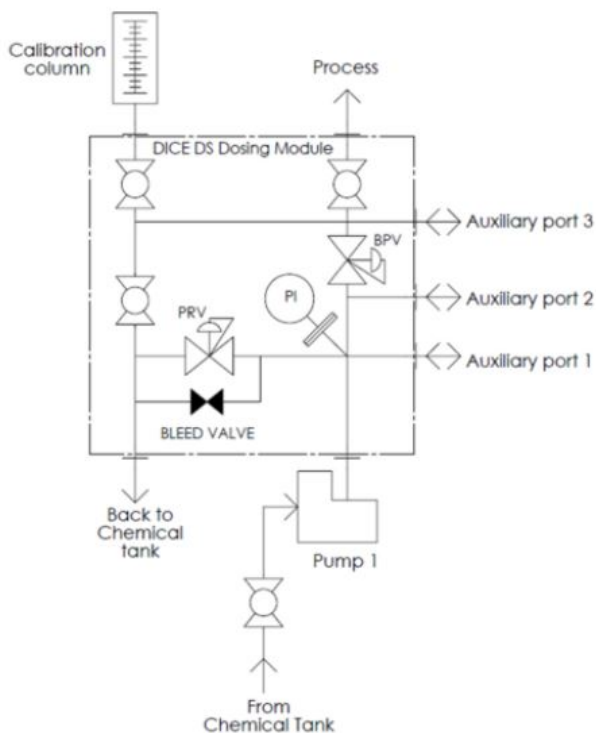


DIMENSIONS

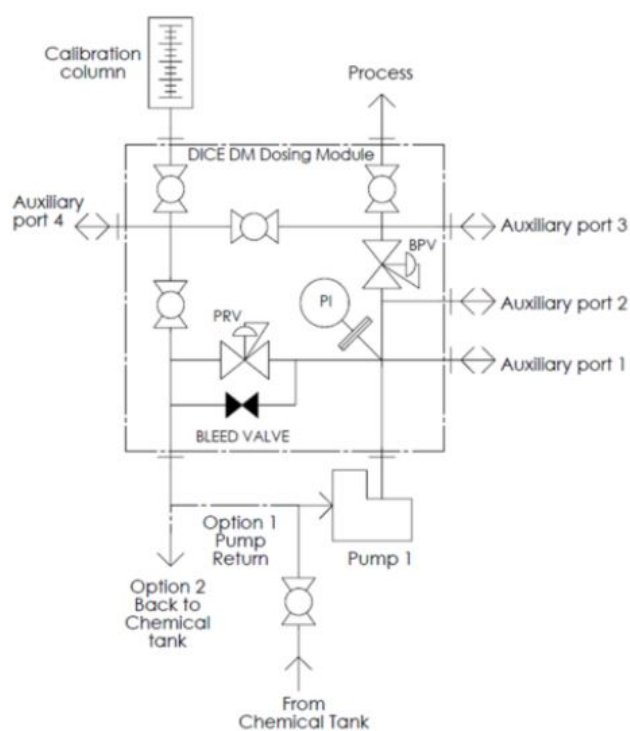


DIMENSIONS mm (in)							
Size		A	B	C	D	E	G
1/2"	DS	187,4 (7.38)	280,8 (11.05)	193,4 (7.61)	168,9 (6.65)	228,6 (9.00)	113,9 (4.48)
	DM	218,6 (8.61)	312,5 (12.30)	193,4 (7.61)	181,6 (7.15)	260,3 (10.25)	145,7 (5.73)
1"	DM	269,0 (10.59)	376,0 (14.80)	232,7 (9.16)	223,0 (8.78)	296,0 (11.65)	150,0 (5.90)

DICE™ DS SUCTION LIFT



DICE™ DM FLOODED SUCTION



ADDITIONAL INFORMATION

Weight	25 lbs
Dimensions	14 × 14 × 16 in

Contact us for pricing

[Contact us for the DS & DM IOM](#)

www.pfcestore.com - 763-425-7890 / 800-328-2350

Leadtime is usually 2 to 4 weeks