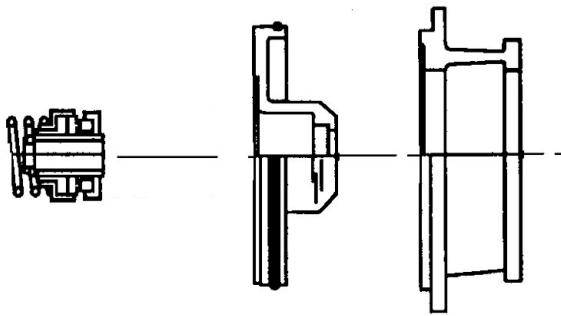
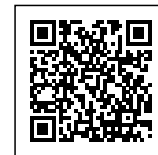


www.pfcstore.com - 763-425-7890 / 800-328-2350



## GOULDS 3656 MOTOR ADAPTOR 215JM

Motor adaptor for the 5BFK1.  
Includes Buna seal, Bronze  
impeller, Motor Adaptor.



**SKU:** MAI08012S

**Stock:** Out of stock contact us for  
lead time

**Categories:** [Goulds Pump Kits](#)

**Part Number** MAI08012S

## ADDITIONAL INFORMATION

<b>Weight</b>	23 lbs
<b>Dimensions</b>	16 × 16 × 8 in

Motor adaptor for the 5BFK1. Includes Buna seal, Bronze impeller, Motor Adaptor.

[www.pfcestore.com](http://www.pfcestore.com) - 763-425-7890 / 800-328-2350