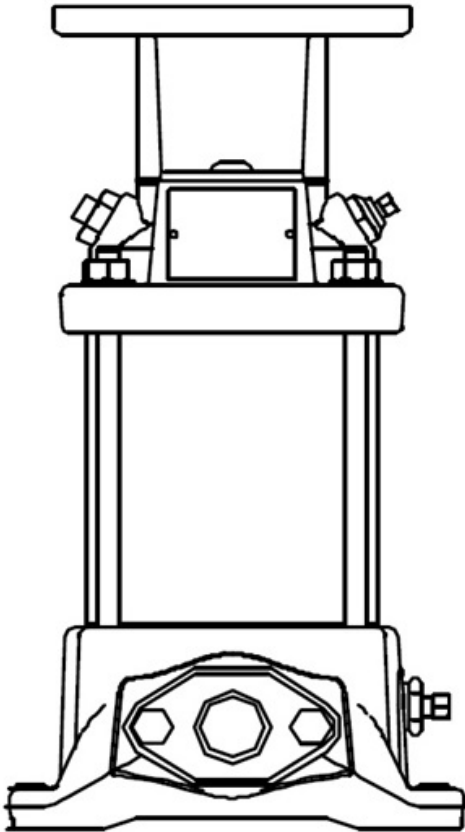


www.pfcstore.com - 763-425-7890 / 800-328-2350



GRUNDFOS CR PUMP END CR 1-17 A-B-A-E-HQQE

10 GPM @ 165 PSI | 56C FRAME |
WETTED MATERIAL CAST IRON,
304SS, EPDM

Typical lead time 3 to 4 weeks



SKU: 96081964

Stock: Out of stock contact us for
lead time

Categories: [Grundfos CR Pump
Ends](#)

Part Number 96081964

PRODUCT DESCRIPTION

Grundfos multistage CR pump end
[Spec Sheet & Curve](#)

ADDITIONAL INFORMATION

www.pfcestore.com - 763-425-7890 / 800-328-2350

| | |
|-------------------|-----------------|
| Weight | 60 lbs |
| Dimensions | 26 × 16 × 16 in |

10 GPM @ 165 PSI | 56C FRAME | WETTED MATERIAL CAST IRON, 304SS, EPDM

Typical lead time 3 to 4 weeks