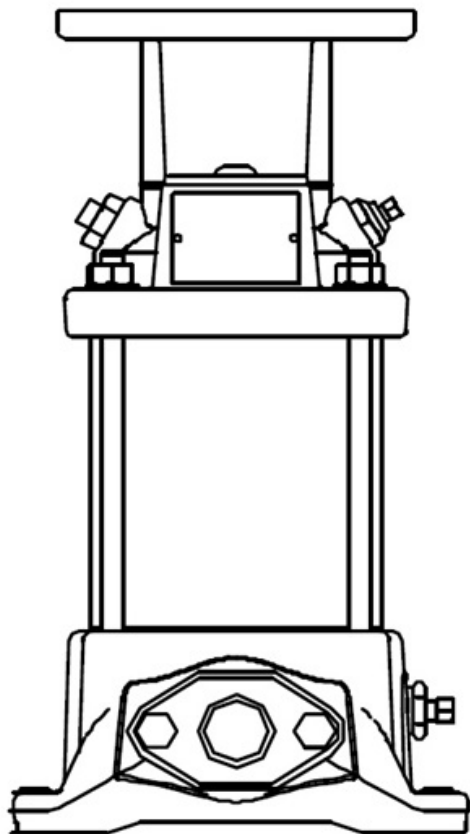


www.pfcstore.com - 763-425-7890 / 800-328-2350



GRUNDFOS CR PUMP END CR 1-6 A-B-A-E-HQQE

10 GPM @ 60 PSI | 56C FRAME |
WETTED MATERIAL CAST IRON,
304SS, EPDM

Typical lead time 3 to 4 weeks



SKU: 96081955

Stock: Out of stock contact us for
lead time

Categories: [Grundfos CR Pump
Ends](#)

Part Number 96081955

PRODUCT DESCRIPTION

Grundfos multistage CR pump end
[Spec Sheet & Curve](#)

ADDITIONAL INFORMATION

www.pfcstore.com - 763-425-7890 / 800-328-2350

Weight	50 lbs
Dimensions	22 × 16 × 16 in

10 GPM @ 60 PSI | 56C FRAME | WETTED MATERIAL CAST IRON, 304SS, EPDM

Typical lead time 3 to 4 weeks