



## GRUNDFOS LOW NPSH PUMP CR32-6-2

29Z53602 Wetted Parts: Cast Iron,  
304SS, EPDM Seal | 3 Phase | 25  
hp | 3600 rpm | 2.50 ANSI Flange|  
BEP 120 GPM @ 450 FTH



---

**SKU:** 99968327

**Stock:** Out of stock contact us for  
lead time

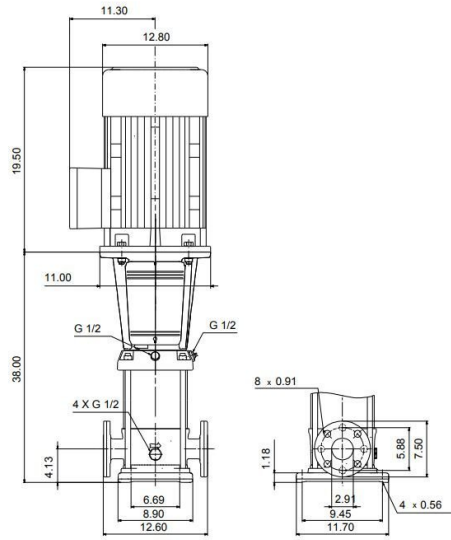
**Categories:** [Grundfos Low NPSH  
Pumps](#)

**Model Number** CR 32-6-2 K-G-A-  
E-HQQE

**Part Number** 99968327

## GALLERY IMAGES

www.pfcstore.com - 763-425-7890 / 800-328-2350



www.pfcstore.com - 763-425-7890 / 800-328-2350

## PRODUCT DESCRIPTION

Grundfos Low NPSH Pump

Estimated delivery is 2 to 4 weeks

Contact us for actual delivery

Product photo could vary from the actual product

[Curve & Specs](#)

[Databook](#)

## ADDITIONAL INFORMATION

<b>Weight</b>	550 lbs
<b>Dimensions</b>	65 × 18 × 18 in
<b>Best Efficiency Point</b>	<a href="#"><u>120 GPM @ 450 FTH</u></a>
<b>Connections</b>	<a href="#"><u>2.50" ANSI FLANGE</u></a>
<b>Hertz</b>	<a href="#"><u>60</u></a>
<b>Horse Power</b>	<a href="#"><u>25</u></a>
<b>Motor Type</b>	<a href="#"><u>TEFC</u></a>
<b>Phase</b>	<a href="#"><u>3</u></a>
<b>RPM</b>	<a href="#"><u>3600</u></a>
<b>Voltage</b>	<a href="#"><u>208-230-460</u></a>
<b>Wetted Material</b>	<a href="#"><u>CAST IRON-304SS-EPDM</u></a>

[www.pfcestore.com](http://www.pfcestore.com) - 763-425-7890 / 800-328-2350

29Z53602 Wetted Parts: Cast Iron, 304SS, EPDM Seal | 3 Phase | 25 hp | 3600 rpm | 2.50 ANSI Flange| BEP 120 GPM @ 450 FTH