



GUSHER 7600 TOP PULLOUT DESIGN PUMP

CONTACT US FOR SIZING & PRICING.

Features

Capacities up to 4,000 gpm, Pressures up to 400' TDH, Heavy-duty bearings, Ductile iron or 316 stainless steel, construction standard, No mechanical seal required, Automatic coupling alignment, Available in extended lengths, Top pullout design

Key Applications

Chemical process; Filtration; Industrial spray washers; Paint systems



SKU: N/A

Stock: Out of stock contact us for lead time

Categories: [Gusher Pumps](#)

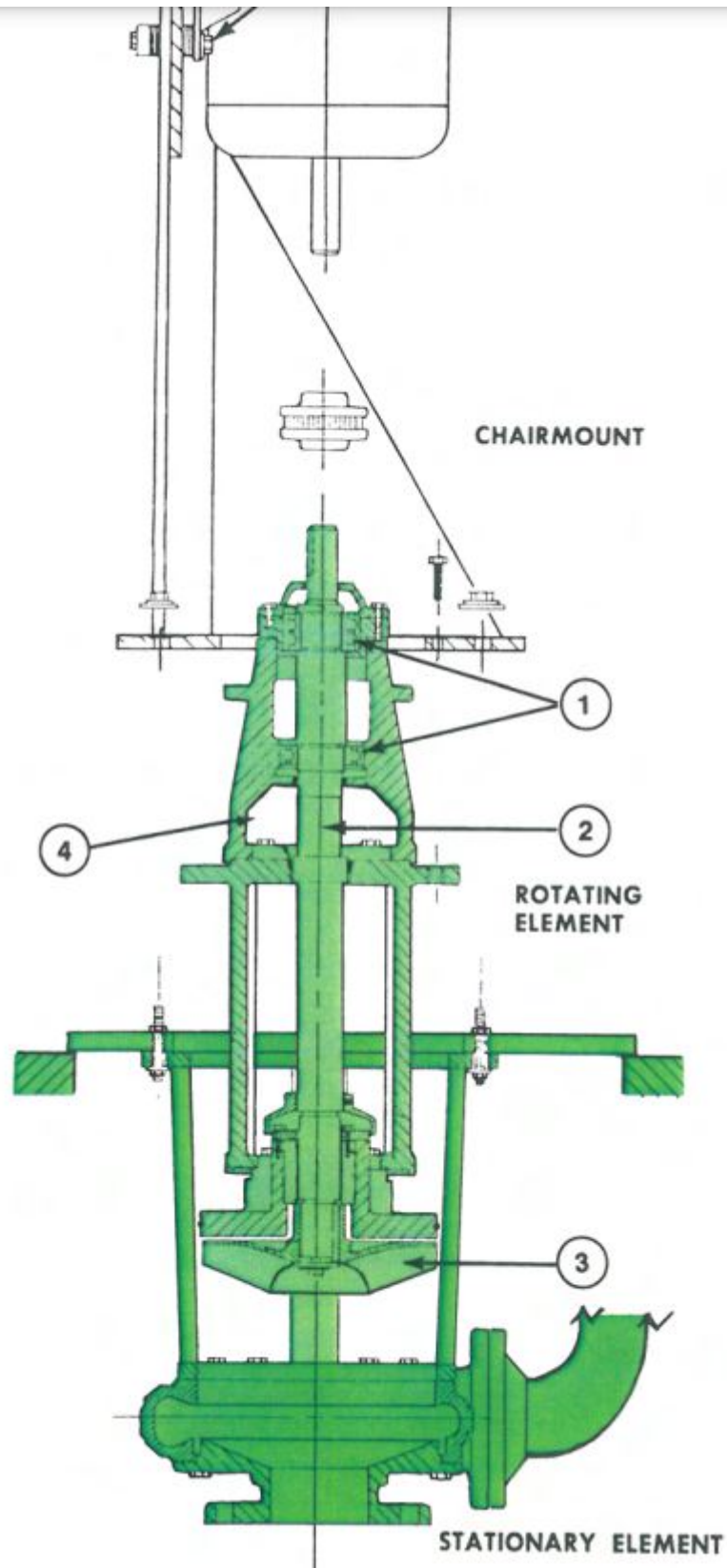
Model Number TOP PULL OUT

www.pfcestore.com - 763-425-7890 / 800-328-2350

PRODUCT DESCRIPTION

[Specs](#)

[Specs & Curves](#)



www.pfcstore.com - 763-425-7890 / 800-328-2350

ADDITIONAL INFORMATION

CONTACT US FOR SIZING & PRICING.

Features

Capacities up to 4,000 gpm, Pressures up to 400' TDH, Heavy-duty bearings, Ductile iron or 316 stainless steel, construction standard, No mechanical seal required, Automatic coupling alignment, Available in extended lengths, Top pullout design

Key Applications

Chemical process; Filtration; Industrial spray washers; Paint systems