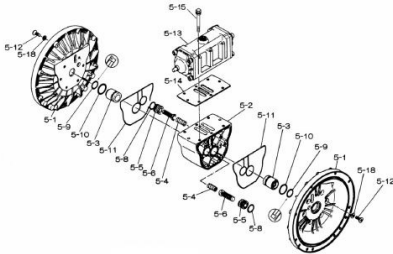
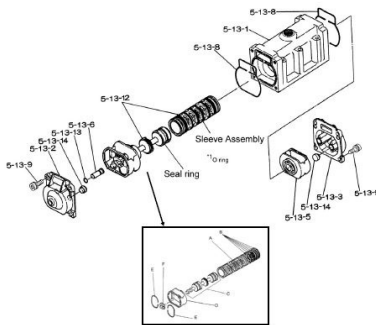


www.pfcstore.com - 763-425-7890 / 800-328-2350

■Body Assembly

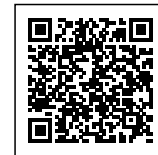


■Valve Body Assembly



## YAMADA REPAIR KIT FOR THE NDP-15 AIR MOTOR

Fits the NDP-15 Air Motor Repair Kit - Check Parts BOM (Below) for the parts content in the kit. Highlighted in Blue are parts in the pump kit. Highlighted in yellow are parts in the air motor kit



**SKU:** K15-AM

**Stock:** 4 in stock (can be backordered)

**Categories:** [Yamada Parts](#)

**Part Number** K15-AM

## PRODUCT DESCRIPTION

**If back ordered usual lead time is 1 to 2 weeks**

**Parts BOMs for the NDP-15 ending in BA, BS & BP**

[NDP-15BA](#)

www.pfcestore.com - 763-425-7890 / 800-328-2350

[NDP-15BS](#)

[NDP-15BP](#)

**Parts BOMs for the NDP-15 ending in FP, FV & FDT**

[NDP-15FP](#)

[NDP-15FV](#)

[NDP-15FDT](#)

**ADDITIONAL INFORMATION**

<b>Weight</b>	3 lbs
<b>Dimensions</b>	8 × 8 × 6 in

Fits the NDP-15 Air Motor Repair Kit - Check Parts BOM (Below) for the parts content in the kit. Highlighted in Blue are parts in the pump kit. Highlighted in yellow are parts in the air motor kit