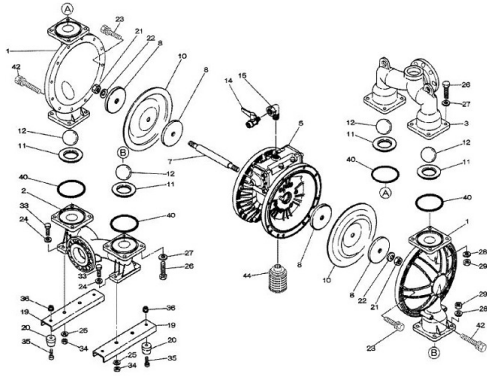


www.pfcstore.com - 763-425-7890 / 800-328-2350



YAMADA REPAIR KIT FOR THE NDP-40BSE, BAE & BFE. LIQUID END

Liquid End Repair Kit - Check Parts BOM (Below) for the parts content in the kit. Highlighted in Blue are parts in the pump kit. Highlighted in yellow are parts in the air motor kit



SKU: K40-ME

Stock: Out of stock contact us for lead time

Categories: [Yamada Parts](#)

Part Number K40-ME

PRODUCT DESCRIPTION

If back ordered usual lead time is 1 to 2 weeks

[Parts BOM BFE](#)

[Parts BOM BAE](#)

[Parts BOM BSE](#)

www.pfcestore.com - 763-425-7890 / 800-328-2350

ADDITIONAL INFORMATION

Weight	6 lbs
Dimensions	12 × 12 × 6 in
Wetted Material	<u>NDP-40 EPDM</u>

Liquid End Repair Kit - Check Parts BOM (Below) for the parts content in the kit. Highlighted in Blue are parts in the pump kit. Highlighted in yellow are parts in the air motor kit