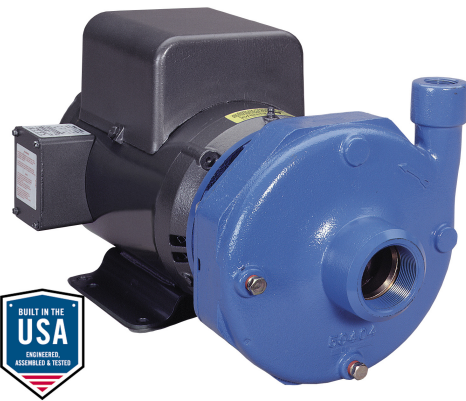


Customer	Date	10/30/2018
Contact	Project	
Phone number	Project no.	
Email		



# 5BF1K1H0

## Operating data

Pump type	Fluid	Water
No. of pumps / Reserve	Operating temperature t A	°F 39.2
Nominal flow US g.p.m.	pH-value at t A	7
Nominal head ft	Density at t A	lb/ft <sup>3</sup> 62.4
Static head ft	Kin. viscosity at t A	ft <sup>2</sup> /s 1.69E-5
Inlet pressure psi	Vapor pressure at t A	psi 14.5
Environmental temperature °F	Solids	0
Available system NPSH ft	Altitude	ft 0

## Pump data

Make	Goulds Water Technology	Nominal	US g.p.m.	( )
Speed	rpm 3600	Flow	Max-	US g.p.m. 166
Number of stages	1		Min-	US g.p.m.
Max. casing pressure	psi		Nominal	ft
Max. working pressure	psi 69.4	Head	at Qmax	ft 109.7
Head H(Q=0)	ft 160		at Qmin	ft 160.1
Weight	lb 170	Shaft power		hp ( )
	Max. inch 8 1/16	Max. shaft power		hp 7.8
Impeller R	designed inch 6 1/8	Efficiency		%
	Min. inch 5 3/4	NPSH 3%		ft

## Shaft Seal

Type 21	Xylem
(10K13) Car/Cer/Buna [Max Temp. 212°F/100°C] (Std.)	
Rotary	Carbon
Stationary	Ceramic
Elastomers	Buna-N
Metal Parts	316 SS
Application	General Use, Clean Water to 212°F/100°C, Non-Fluctuating Temp

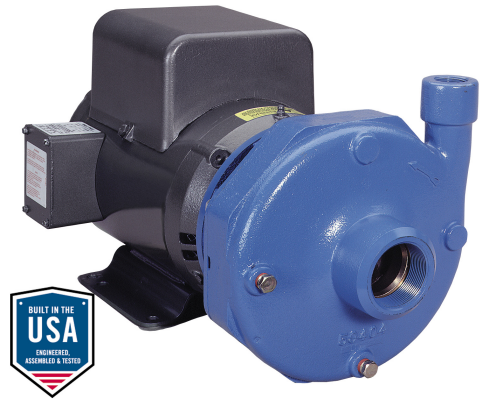
## Motor data

Specific design	1ph ODP	Speed	3500 rpm	Insulation class	F
Electric voltage	230 V	Frame size	213JM	Colour	RAL 5010
Type	230V 213JM (C11721)	Degree of protection	IP 55		
Rated power	7.5 hp	Electric current	37 A		

## Remarks:

Customer	Date	10/30/2018
Contact	Project	
Phone number	Project no.	
Email		

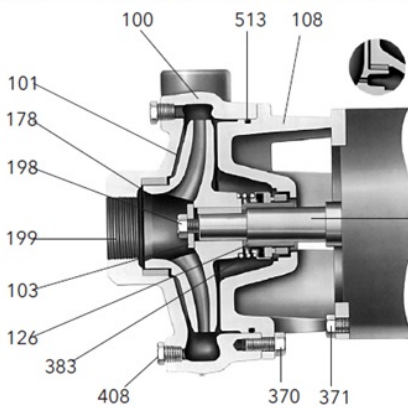
# 5BF1K1H0



## Pump Materials

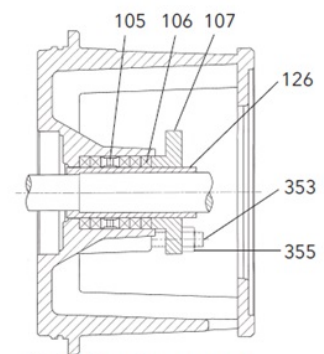
100 - Casing	Gray cast iron ASTM A48 CL20B
101 - Impeller	Silicon bronze ASTM B584, C87500
103 - Casing wear ring	Bismuth brass
108 - Adapter	Cast iron ASTM A48 CL30
184 - Seal housing (One piece with adapter)	Cast iron ASTM A48 CL30
198 - Impeller bolt	AISI Type 300 series stainless steel
199 - Impeller washer	AISI Type 300 series stainless steel
178 - Impeller key	Carbon Steel
370 - Hex head cap screw (adapter to case)	Steel SAE 1200 Grade 5
371 - Hex head cap screw (adapter to motor)	Steel SAE 1200 Grade 5
383 - Mechanical seal	See seal chart
408 - Pipe plug 1/4" or 3/8"	Steel
513 - O-ring	BUNA-N

### 3656 S-GROUP MATERIALS OF CONSTRUCTION MATERIALES DE CONSTRUCCIÓN - GRUPO S, MODELO 3756



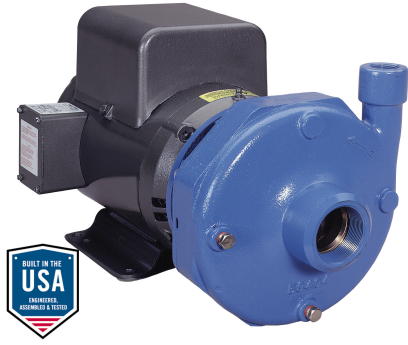
Back wearing ring on S-Group  
(2½ x 3 - 7) only  
*Anillo de desgaste posterior en el  
Grupo S (2½ x 3 - 7) únicamente.*

AISI 1045 steel motor shaft  
extension (typical)  
*Extensión del eje del motor  
de acero AISI 1045 (típico)*



Packed Box Arrangement  
*Caja prensaestopas*

Remarks:



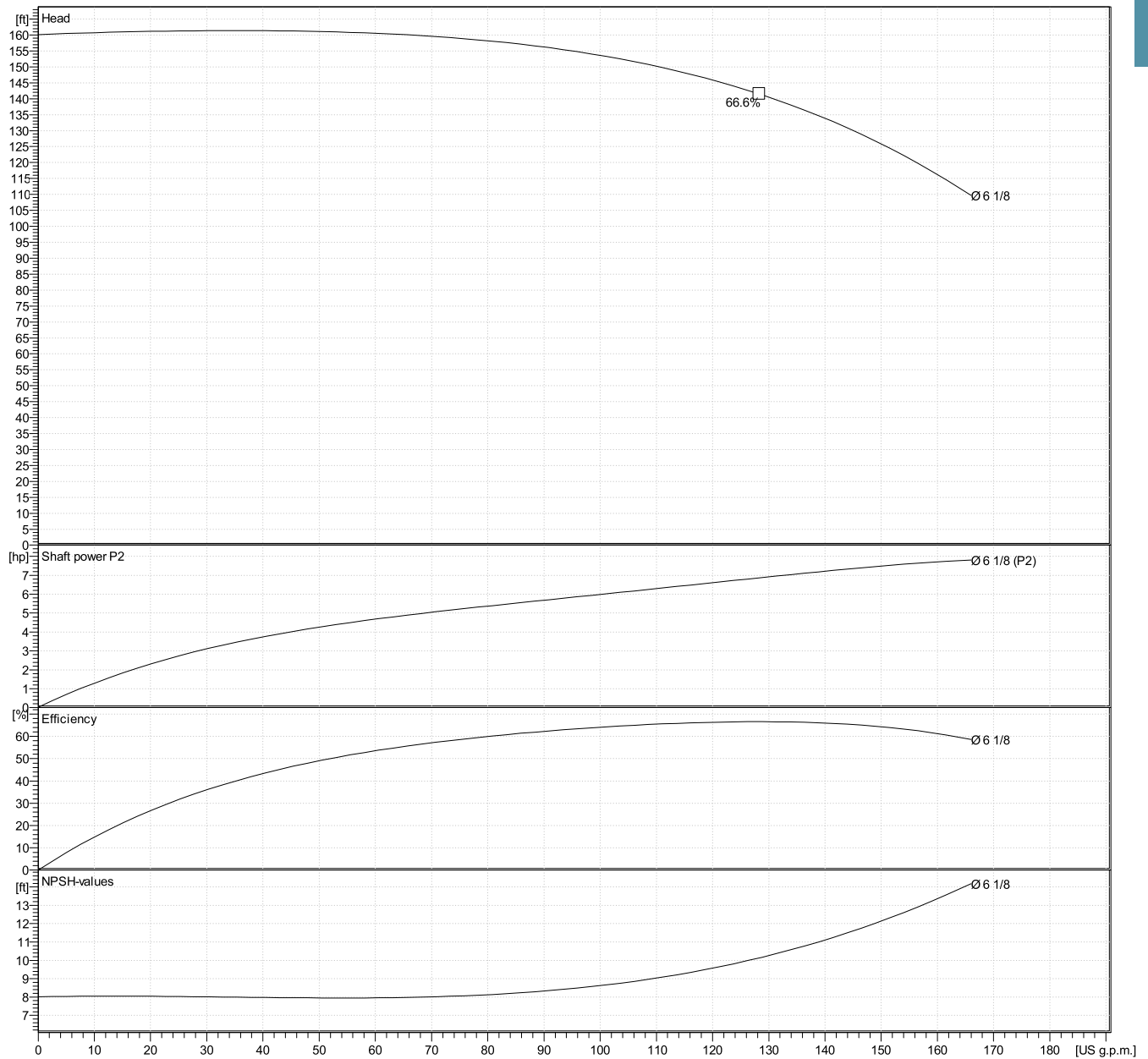
Customer	Date	10/30/2018
Contact	Project	
Phone number	Project no.	
Email		

## 5BF1K1H0

### Hydraulic Data

Operating Data Specification		Hydraulic data (duty point)		Impeller design	
Flow	0 US g.p.m.	Flow		Impeller R	6 1/8"
Head	0 ft	Head		Frequency	60 Hz
Static head	0 ft			Speed	3600 rpm

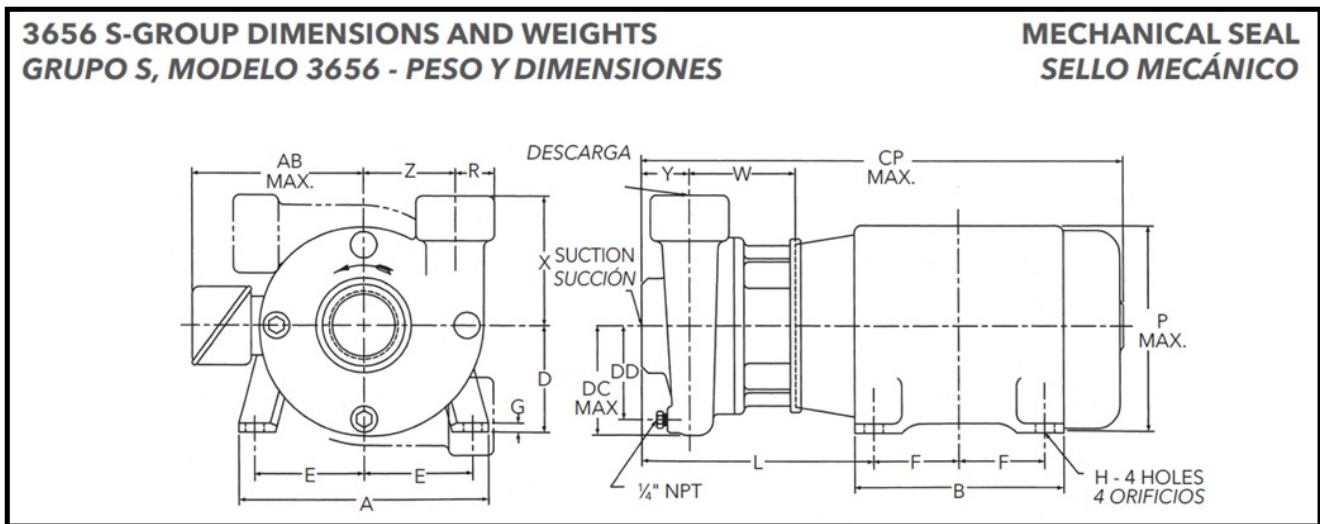
**Power data referred to:**  
**Water [100%] ; 39.2°F; 62.4lb/ft³; 1.69E-5ft²/s**  
 Performance according to ISO 9906 - Annex A



Customer	Date	10/30/2018
Contact	Project	
Phone number	Project no.	
Email		

## 5BF1K1H0

### Drawing



### Dimensions inch

A	9 <sup>3</sup> / <sub>4</sub>	F	2 <sup>3</sup> / <sub>4</sub>	Y	2 <sup>5</sup> / <sub>8</sub>	Weight 170 lb
AB Max.	9 <sup>5</sup> / <sub>8</sub>	G	5 <sup>7</sup> / <sub>8</sub>	Z	4 <sup>1</sup> / <sub>4</sub>	
B	9 <sup>9</sup> / <sub>16</sub>	H	7 <sup>7</sup> / <sub>16</sub>			
CP Max.	29 <sup>1</sup> / <sub>8</sub>	L	11 <sup>3</sup> / <sub>8</sub>			
D	5 <sup>1</sup> / <sub>4</sub>	P Max.	11 <sup>1</sup> / <sub>4</sub>			
DC Max.	5 <sup>3</sup> / <sub>8</sub>	R	1 <sup>1</sup> / <sub>4</sub>			
DD	4 <sup>5</sup> / <sub>8</sub>	Suction (NPT)	2			
Discharge (NPT)	1 <sup>1</sup> / <sub>2</sub>	W	4 <sup>1</sup> / <sub>4</sub>			
E	4 <sup>1</sup> / <sub>4</sub>	X	5			