

PROJECT: _____	UNIT TAG: _____	QUANTITY: _____
REPRESENTATIVE: _____	TYPE OF SERVICE: _____	DATE: _____
ENGINEER: _____	SUBMITTED BY: _____	DATE: _____
CONTRACTOR: _____	APPROVED BY: _____	DATE: _____
	ORDER NO.: _____	DATE: _____

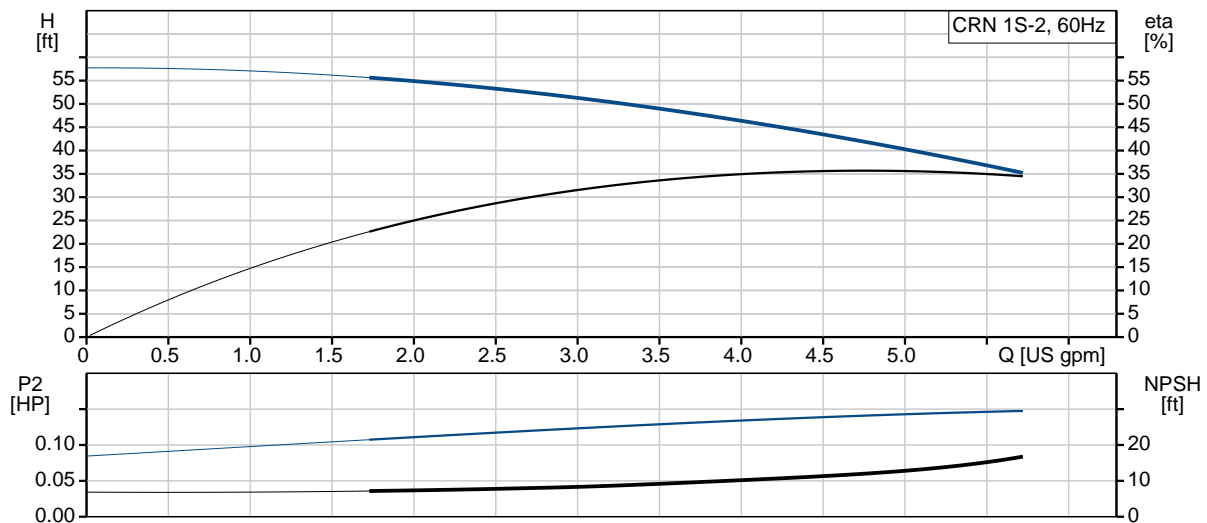


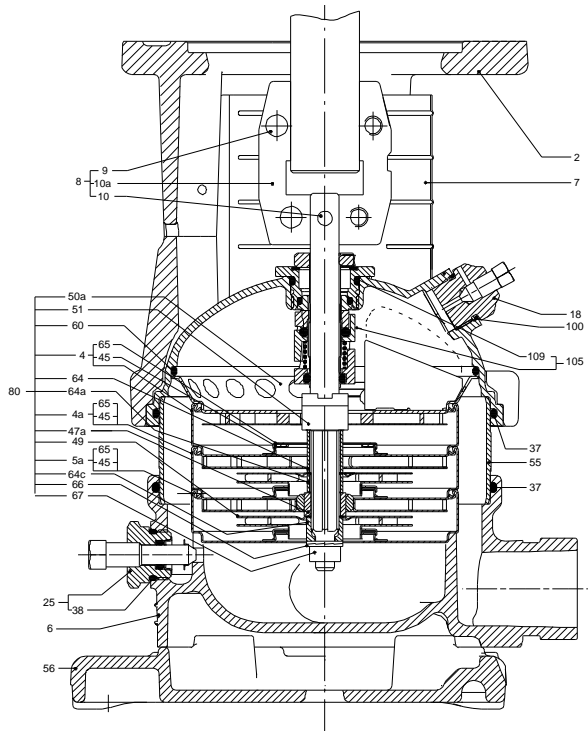
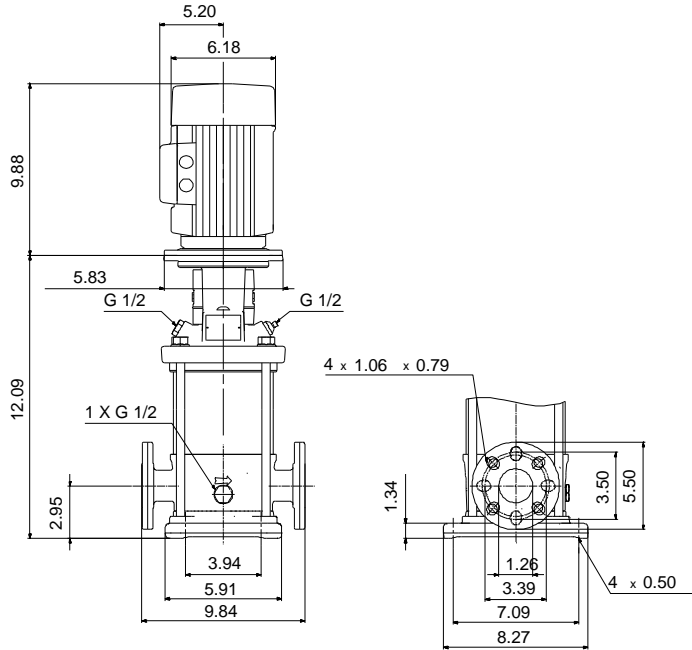
CRN 1S-2 A-FGJ-A-E-HQQE

Vertical, multistage centrifugal pump with suction and discharge ports on same the level. Pump materials in contact with the liquid are in high-grade stainless steel (EN 1.4401) (AISI 316)

Product photo could vary from the actual product


Conditions of Service	Pump Data	Motor Data
Flow: _____	Max pressure at stated temperature: 363 psi / 250 °F	Rated power - P2: 0.33 HP
Head: _____	Liquid temperature range: -4 .. 248 °F	Rated voltage: 115/230 V
Efficiency: _____	Maximum ambient temperature: 104 °F	Main frequency: 60 Hz
Liquid: Water	Approvals: CURUS,NSF61	Insulation class: B
Temperature: 68 °F	Shaft seal: HQQE	Motor type: Baldor
NPSH required: ft	Product number: 96081780	
Viscosity: _____		
Specific Gravity: 1.000		





Materials:

- Base: Stainless steel
EN 1.4408
- Impeller: Stainless steel
AISI 316
EN 1.4401
- Material code: A
- Code for rubber: E

Position	Count	Description
	1	<p>CRN 1S-2 A-FGJ-A-E-HQQE</p>  <p>Product No.: 96081780 Vertical, non-self-priming, multistage, in-line, centrifugal pump for installation in pipe systems and mounting on a foundation.</p> <p>The pump has the following characteristics:</p> <ul style="list-style-type: none"> - Impellers, intermediate chambers and outer sleeve are made of - Pump head cover and base are made of - The shaft seal has assembly length according to EN 12756. - Power transmission is via cast iron split coupling flanges/couplings. <p>The motor is a 1-phase AC motor.</p> <p>Controls: Frequency converter: NONE</p> <p>Liquid: Pumped liquid: Water Liquid temperature range: -4 .. 248 °F Liquid temperature during operation: 68 °F Density: 62.29 lb/ft³</p> <p>Technical: Rated flow: 4.84 US gpm Rated head: 41.34 ft Pump orientation: Vertical Shaft seal arrangement: Single Code for shaft seal: HQQE Approvals on nameplate: CURUS,NSF61 Curve tolerance: ISO9906:2012 3B</p> <p>Materials: Base: Stainless steel EN 1.4408 AISI 316</p>



Company name: Specs

Created by:

Phone:

Date: 10/4/2018

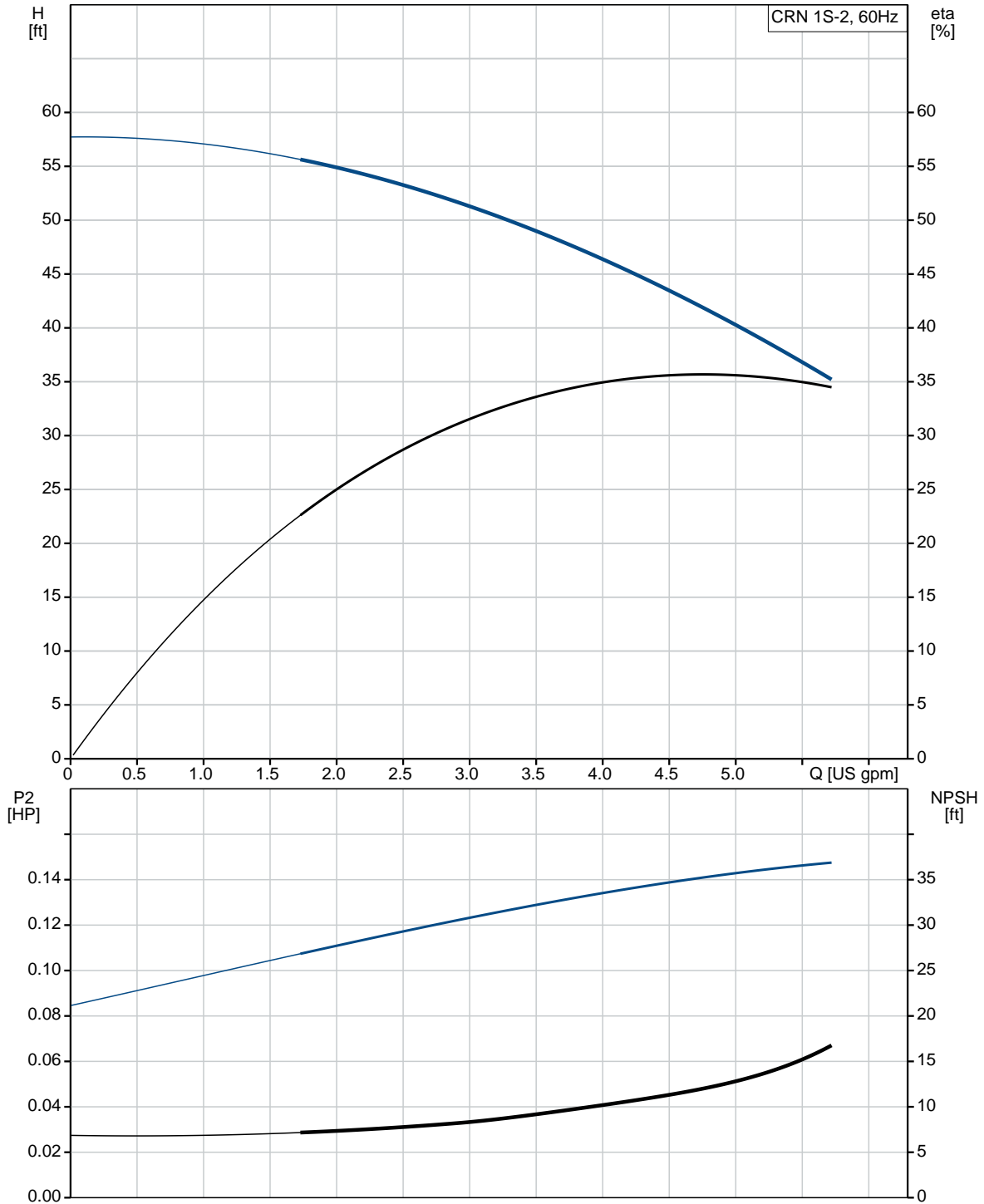
Position	Count	Description
		Impeller: Stainless steel EN 1.4401 AISI 316
		Bearing: SIC
		Installation: Maximum ambient temperature: 104 °F Maximum operating pressure: 363 psi Max pressure at stated temperature: 363 psi / 250 °F 363 psi / -4 °F
		Type of connection: DIN / ANSI / JIS
		Size of inlet connection: DN 25/32
		Size of suction port: 1 1/4 inch
		Size of outlet connection: DN 25/32
		Size of outlet port: 1 1/4 inch
		Pressure rating for pipe connection: PN 25
		Flange rating inlet: 300 lb
		Flange size for motor: 56C
		Electrical data:
		Motor standard: NEMA
		Motor type: Baldor
		Rated power - P2: 0.33 HP
		Power (P2) required by pump: 0.33 HP
		Main frequency: 60 Hz
		Rated voltage: 1 x 115/230 V
		Service factor: 1.35
		Rated current: 6.00/3.00 A
		Rated speed: 3450 rpm
		Number of poles: 2
		Insulation class (IEC 85): B
		Others:
		Net weight: 52.3 lb
		Gross weight: 63.3 lb
		Shipping volume: 4.94 ft ³
		Country of origin: US
		Custom tariff no.: 8413.70.2040



Company name: Specs
Created by:
Phone:

Date: 10/4/2018

96081780 CRN 1S-2 A-FGJ-A-E-HQQE 60 Hz

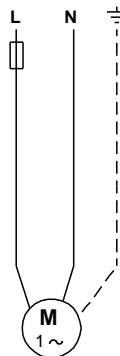
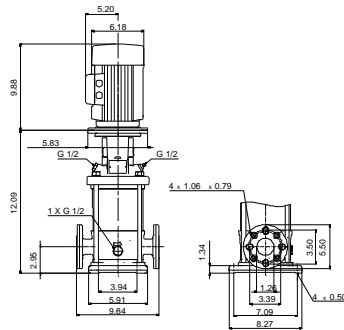
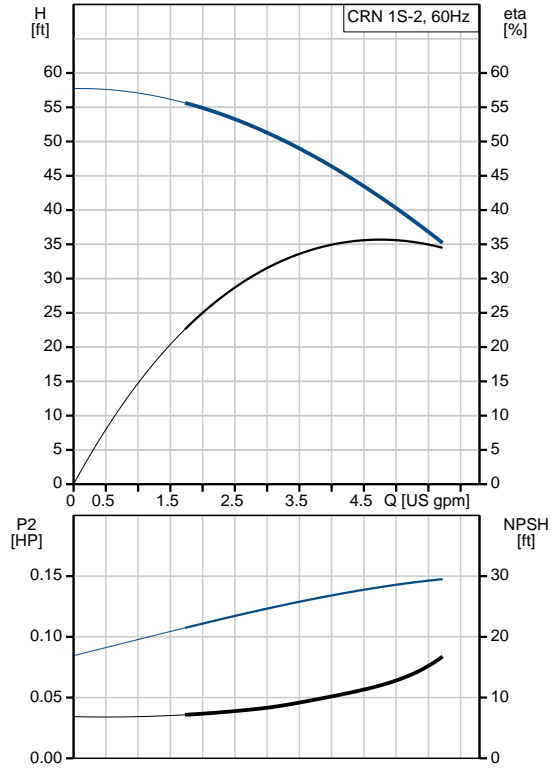




Company name: Specs
 Created by:
 Phone:

Date: 10/4/2018

Description	Value
General information:	
Product name:	CRN 1S-2 A-FGJ-A-E-HQQE
Product No.:	96081780
EAN:	5700395162349
Technical:	
Rated flow:	4.84 US gpm
Rated head:	41.34 ft
Stages:	3
Impellers:	2
Number of reduced-diameter impellers:	0
Low NPSH:	N
Pump orientation:	Vertical
Shaft seal arrangement:	Single
Code for shaft seal:	HQQE
Approvals on nameplate:	CURUS,NSF61
Curve tolerance:	ISO9906:2012 3B
Pump version:	A
Model:	A
Cooling:	TEFC
Materials:	
Base:	Stainless steel EN 1.4408 AISI 316
Impeller:	Stainless steel EN 1.4401 AISI 316
Material code:	A
Code for rubber:	E
Bearing:	SIC
Installation:	
Maximum ambient temperature:	104 °F
Maximum operating pressure:	363 psi
Max pressure at stated temperature:	363 psi / 250 °F
	363 psi / -4 °F
Type of connection:	DIN / ANSI / JIS
Size of inlet connection:	DN 25/32
Size of suction port:	1 1/4 inch
Size of outlet connection:	DN 25/32
Size of outlet port:	1 1/4 inch
Pressure rating for pipe connection:	PN 25
Flange rating inlet:	300 lb
Flange size for motor:	56C
Connect code:	FGJ
Liquid:	
Pumped liquid:	Water





Company name: Specs

Created by:

Phone:

Date: 10/4/2018

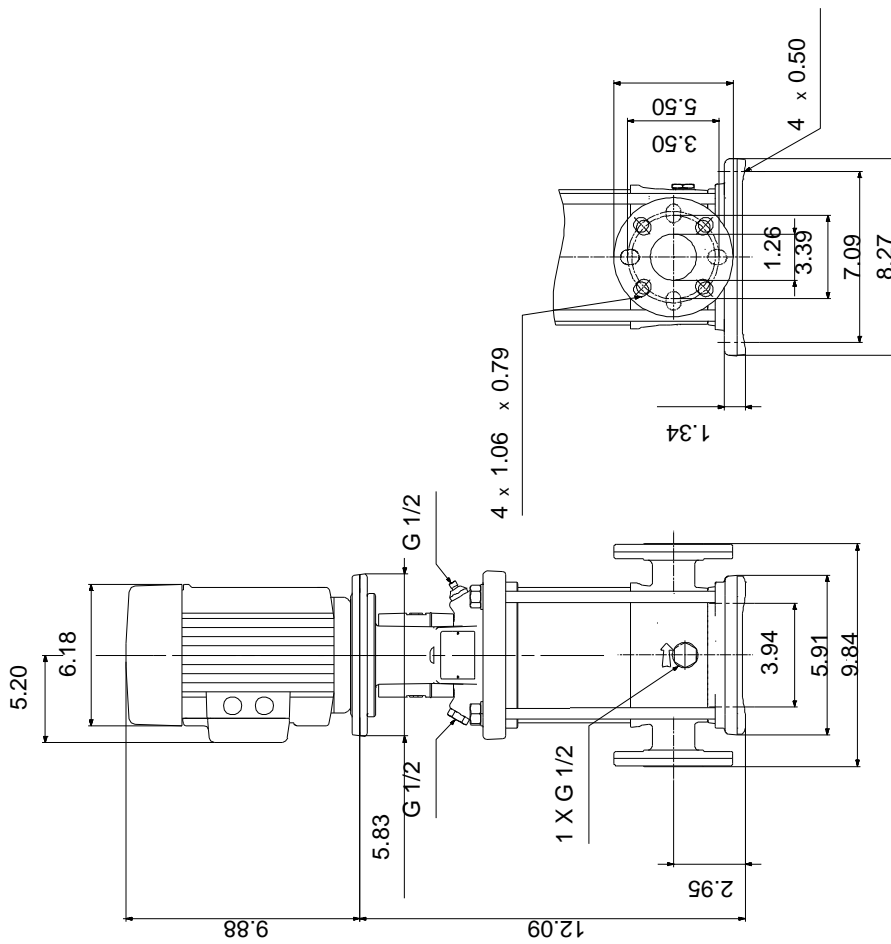
Description	Value
Liquid temperature range:	-4 .. 248 °F
Liquid temperature during operation:	68 °F
Density:	62.29 lb/ft³
Electrical data:	
Motor standard:	NEMA
Motor type:	Baldor
Rated power - P2:	0.33 HP
Power (P2) required by pump:	0.33 HP
Main frequency:	60 Hz
Rated voltage:	1 x 115/230 V
Service factor:	1.35
Rated current:	6.00/3.00 A
Load current:	6.8/3.4 A
Rated speed:	3450 rpm
Number of poles:	2
Insulation class (IEC 85):	B
Motor Number:	85680001
Controls:	
Frequency converter:	NONE
Others:	
Net weight:	52.3 lb
Gross weight:	63.3 lb
Shipping volume:	4.94 ft³
Country of origin:	US
Custom tariff no.:	8413.70.2040



Company name: Specs
Created by:
Phone:

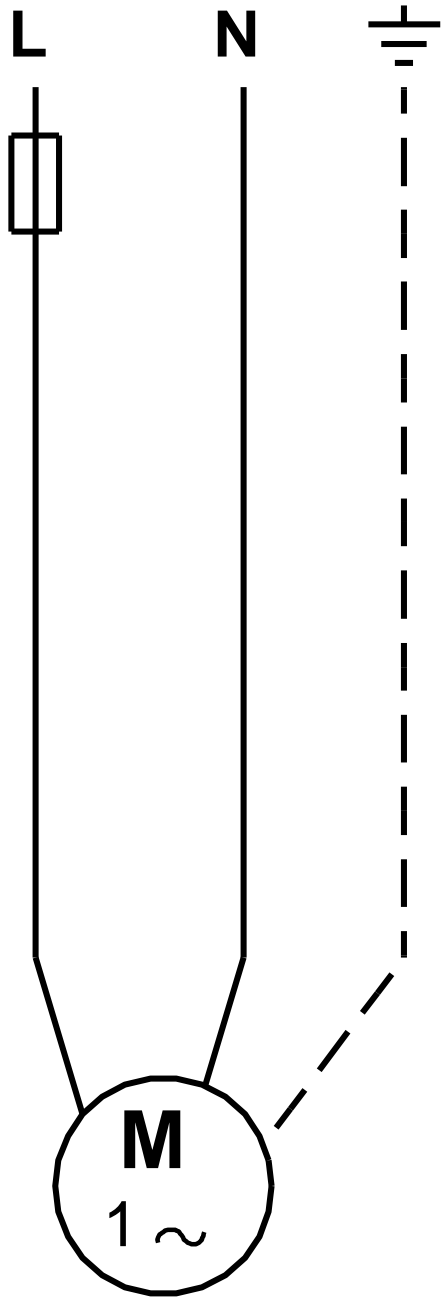
Date: 10/4/2018

96081780 CRN 1S-2 A-FGJ-A-E-HQQE 60 Hz



Note! All units are in [mm] unless otherwise stated.
Disclaimer: This simplified dimensional drawing does not show all details.

96081780 CRN 1S-2 A-FGJ-A-E-HQQE 60 Hz



All units are [mm] unless otherwise presented.