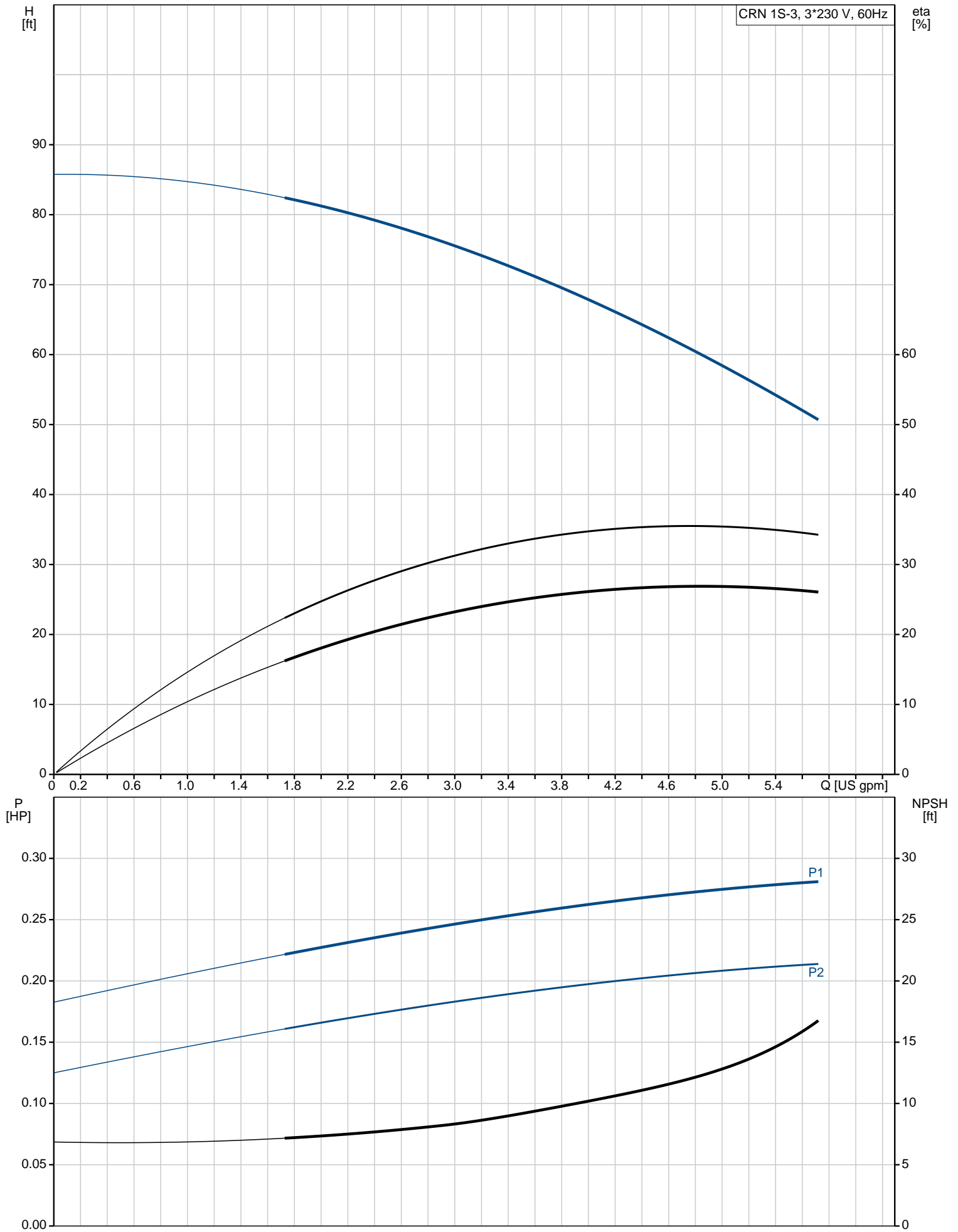


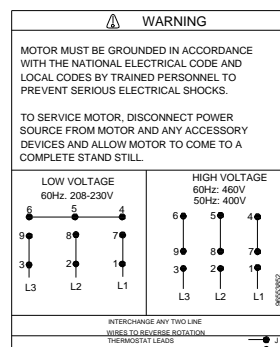
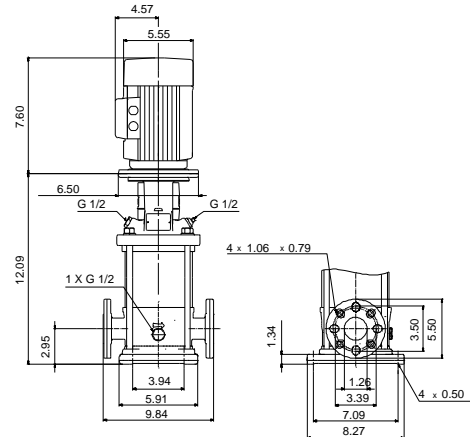
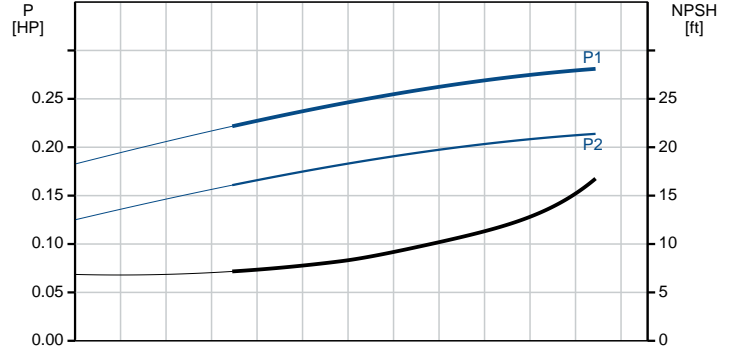
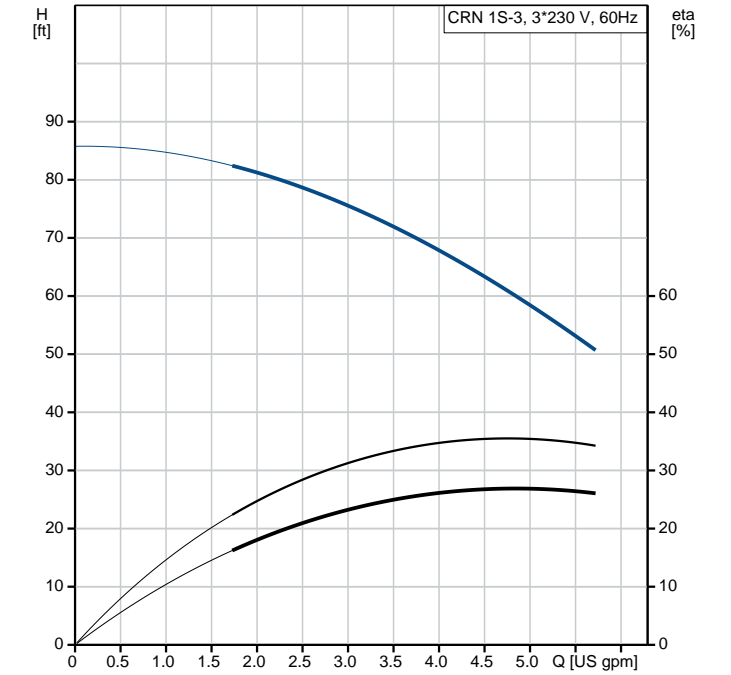
Position	Count	Description
	1	<p data-bbox="229 226 558 248"><b>CRN 1S-3 A-FGJ-A-V-HQQV</b></p> <div data-bbox="359 280 475 515" data-label="Image"> </div> <p data-bbox="229 548 494 571">Product No.: <a href="#">96081878</a></p> <p data-bbox="229 577 750 660">Vertical, non-self-priming, multistage, in-line, centrifugal pump for installation in pipe systems and mounting on a foundation.</p> <p data-bbox="229 694 782 963">The pump has the following characteristics:</p> <ul style="list-style-type: none"> <li>- Impellers, intermediate chambers and outer sleeve are made of</li> <li>- Pump head cover and base are made of</li> <li>- The shaft seal has assembly length according to EN 12756.</li> <li>- Power transmission is via cast iron split coupling.</li> </ul> <p data-bbox="229 996 606 1019">The motor is a 3-phase AC motor.</p> <p data-bbox="229 1052 343 1075"><b>Controls:</b></p> <p data-bbox="229 1081 662 1108">Frequency converter: NONE</p> <p data-bbox="229 1142 319 1164"><b>Liquid:</b></p> <p data-bbox="229 1171 718 1288">Pumped liquid: Water  Liquid temperature range: -4 .. 194 °F  Liquid temperature during operation: 68 °F  Density: 62.29 lb/ft³</p> <p data-bbox="229 1321 359 1344"><b>Technical:</b></p> <p data-bbox="229 1350 790 1556">Rated flow: 4.84 US gpm  Rated head: 58.4 ft  Pump orientation: Vertical  Shaft seal arrangement: Single  Code for shaft seal: HQQV  Approvals on nameplate: CURUS  Curve tolerance: ISO9906:2012 3B</p> <p data-bbox="229 1590 351 1612"><b>Materials:</b></p> <p data-bbox="229 1619 758 1825">Base: Stainless steel  EN 1.4408  AISI 316  Impeller: Stainless steel  EN 1.4401  AISI 316  Bearing: SIC</p> <p data-bbox="229 1859 375 1881"><b>Installation:</b></p> <p data-bbox="229 1888 829 2004">Maximum ambient temperature: 104 °F  Maximum operating pressure: 363 psi  Max pressure at stated temperature: 363 psi / 194 °F  363 psi / -4 °F</p> <p data-bbox="229 2011 774 2206">Type of connection: DIN / ANSI / JIS  Size of inlet connection: DN 25/32  Size of suction port: 1 1/4 inch  Size of outlet connection: DN 25/32  Size of outlet port: 1 1/4 inch  Pressure rating for pipe connection: PN 25  Flange rating inlet: 300 lb</p>

Position	Count	Description
		<p>Flange size for motor: 56C</p> <p><b>Electrical data:</b></p> <p>Motor standard: NEMA</p> <p>Motor type: 71AA</p> <p>Rated power - P2: 0.33 HP</p> <p>Power (P2) required by pump: 0.33 HP</p> <p>Main frequency: 60 Hz</p> <p>Rated voltage: 3 x 208-230YY/460Y V</p> <p>Service factor: 1.35</p> <p>Rated current: 1,12-1,10/0,55 A</p> <p>Starting current: 630-700 %</p> <p>Cos phi - power factor: 0.81-0.75</p> <p>Rated speed: 3450-3480 rpm</p> <p>Motor efficiency at full load: 78.5 %</p> <p>Number of poles: 2</p> <p>Enclosure class (IEC 34-5): 55 Dust/Jetting</p> <p>Insulation class (IEC 85): F</p> <p><b>Others:</b></p> <p>Net weight: 50.9 lb</p> <p>Gross weight: 61.9 lb</p> <p>Shipping volume: 4.94 ft<sup>3</sup></p> <p>Country of origin: US</p> <p>Custom tariff no.: 8413.70.2040</p>

## 96081878 CRN 1S-3 A-FGJ-A-V-HQQV 60 Hz



Description	Value
<b>General information:</b>	
Product name:	CRN 1S-3 A-FGJ-A-V-HQQV
Product No.:	96081878
EAN:	5700395163322
<b>Technical:</b>	
Rated flow:	4.84 US gpm
Rated head:	58.4 ft
Stages:	3
Impellers:	3
Number of reduced-diameter impellers:	0
Low NPSH:	N
Pump orientation:	Vertical
Shaft seal arrangement:	Single
Code for shaft seal:	HQQV
Approvals on nameplate:	CURUS
Curve tolerance:	ISO9906:2012 3B
Pump version:	A
Model:	A
Cooling:	TEFC
<b>Materials:</b>	
Base:	Stainless steel EN 1.4408 AISI 316
Impeller:	Stainless steel EN 1.4401 AISI 316
Material code:	A
Code for rubber:	V
Bearing:	SIC
<b>Installation:</b>	
Maximum ambient temperature:	104 °F
Maximum operating pressure:	363 psi
Max pressure at stated temperature:	363 psi / 194 °F 363 psi / -4 °F
Type of connection:	DIN / ANSI / JIS
Size of inlet connection:	DN 25/32
Size of suction port:	1 1/4 inch
Size of outlet connection:	DN 25/32
Size of outlet port:	1 1/4 inch
Pressure rating for pipe connection:	PN 25
Flange rating inlet:	300 lb
Flange size for motor:	56C
Connect code:	FGJ
<b>Liquid:</b>	
Pumped liquid:	Water
Liquid temperature range:	-4 .. 194 °F
Liquid temperature during operation:	68 °F
Density:	62.29 lb/ft³
<b>Electrical data:</b>	
Motor standard:	NEMA
Motor type:	71AA
Rated power - P2:	0.33 HP
Power (P2) required by pump:	0.33 HP
Main frequency:	60 Hz
Rated voltage:	3 x 208-230YY/460Y V
Service factor:	1.35
Rated current:	1,12-1,10/0,55 A
Starting current:	630-700 %
Load current:	1,5-1,45/0,75 A
Cos phi - power factor:	0.81-0.75
Rated speed:	3450-3480 rpm
Motor efficiency at full load:	78.5 %
Number of poles:	2
Enclosure class (IEC 34-5):	55 Dust/Jetting
Insulation class (IEC 85):	F
Motor protection:	NONE





Company name:

Created by:

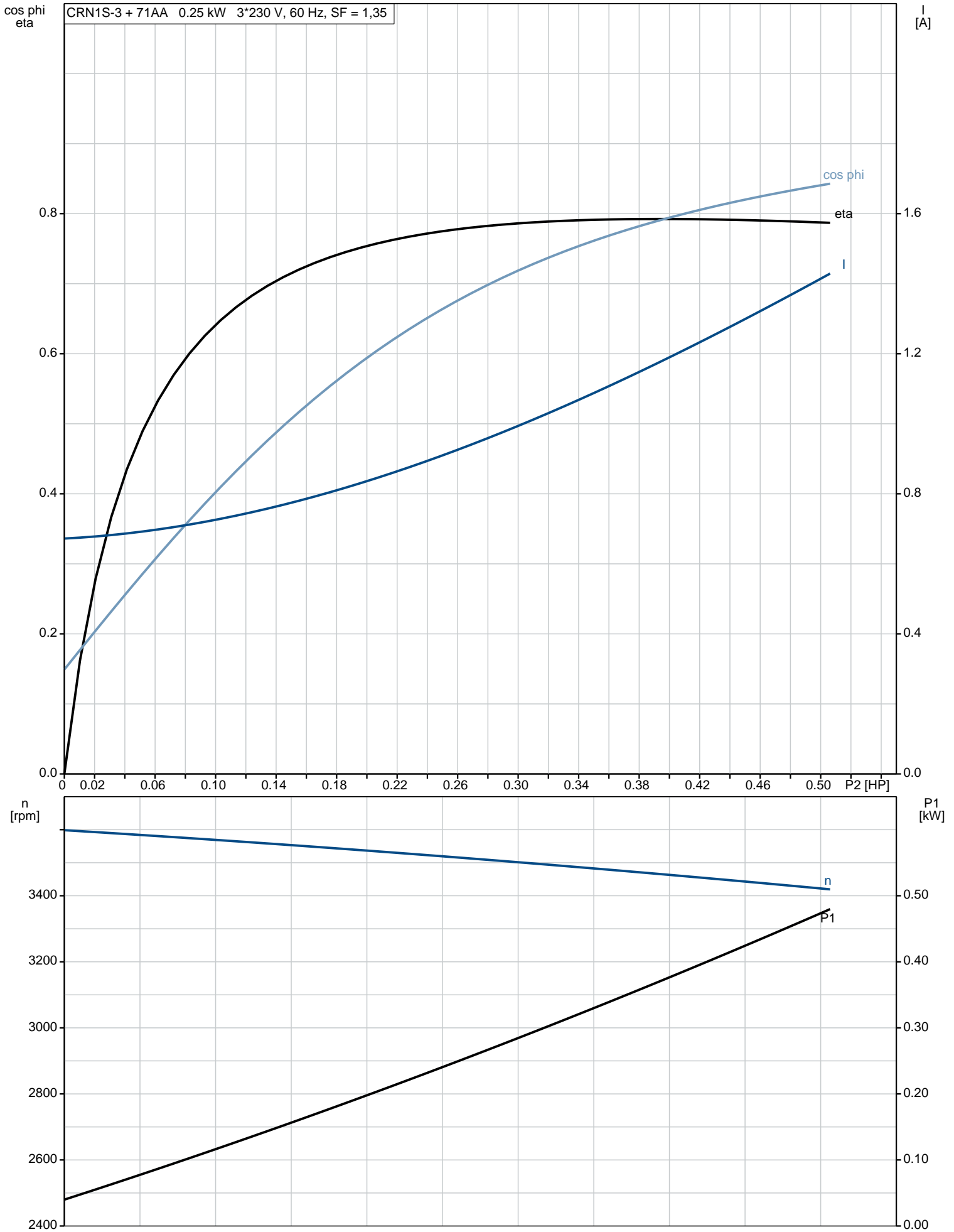
Phone:

Date:

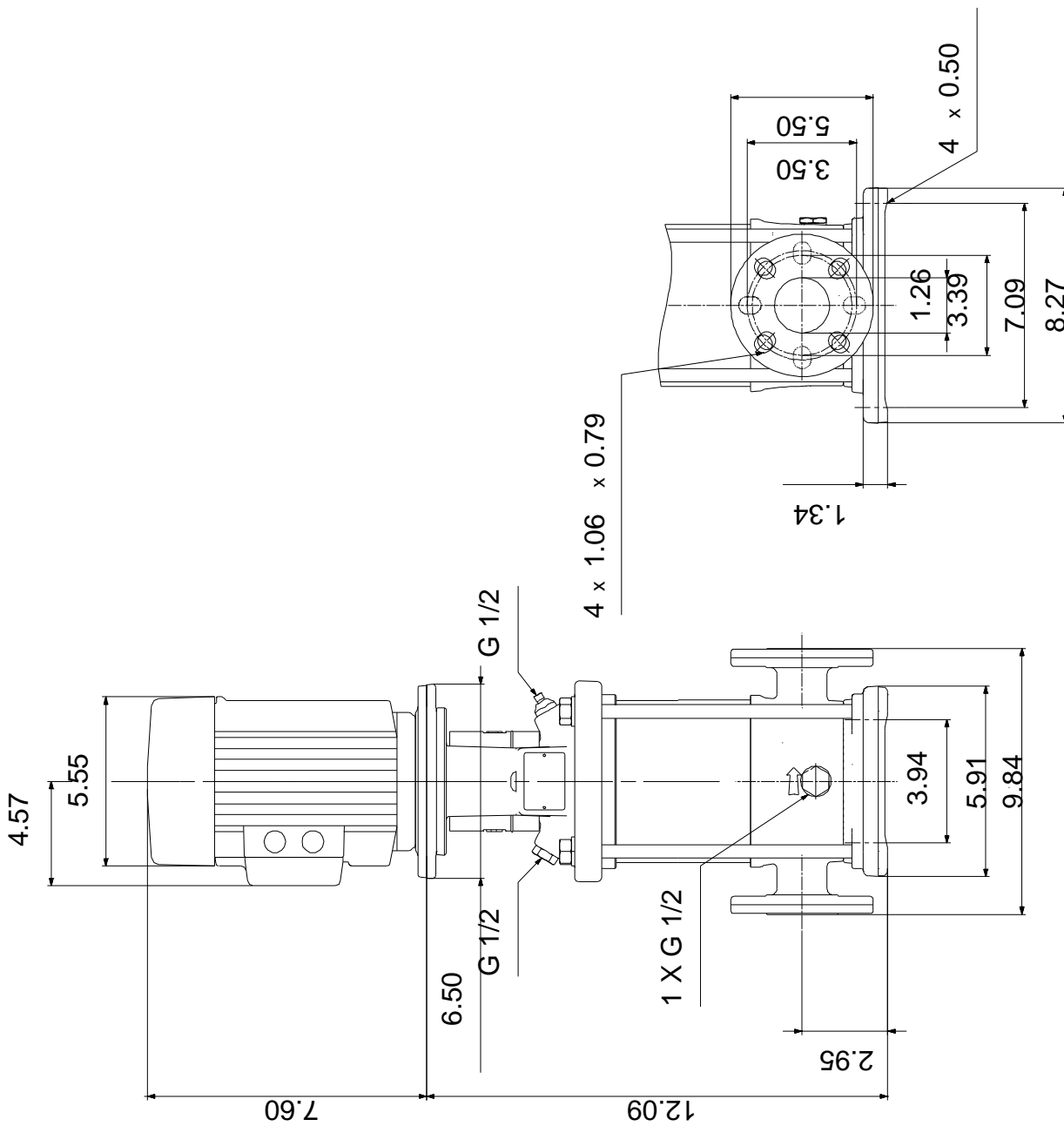
10/22/2018

Description	Value
Motor Number:	85900700
<b>Controls:</b>	
Frequency converter:	NONE
<b>Others:</b>	
Net weight:	50.9 lb
Gross weight:	61.9 lb
Shipping volume:	4.94 ft <sup>3</sup>
Country of origin:	US
Custom tariff no.:	8413.70.2040

## 96081878 CRN 1S-3 A-FGJ-A-V-HQQV 60 Hz



## 96081878 CRN 1S-3 A-FGJ-A-V-HQQV 60 Hz



## 96081878 CRN 1S-3 A-FGJ-A-V-HQQV 60 Hz

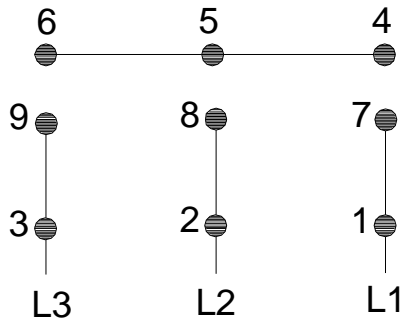


### WARNING

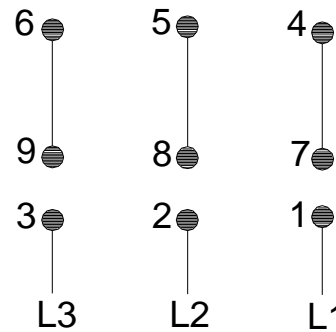
MOTOR MUST BE GROUNDED IN ACCORDANCE WITH THE NATIONAL ELECTRICAL CODE AND LOCAL CODES BY TRAINED PERSONNEL TO PREVENT SERIOUS ELECTRICAL SHOCKS.

TO SERVICE MOTOR, DISCONNECT POWER SOURCE FROM MOTOR AND ANY ACCESSORY DEVICES AND ALLOW MOTOR TO COME TO A COMPLETE STAND STILL.

#### LOW VOLTAGE 60Hz. 208-230V



#### HIGH VOLTAGE 60Hz: 460V 50Hz: 400V



96553852

INTERCHANGE ANY TWO LINE WIRES TO REVERSE ROTATION

THERMOSTAT LEADS

(WHEN PROVIDED)

