

| | | |
|-----------------------|------------------------|-----------------|
| PROJECT: _____ | UNIT TAG: _____ | QUANTITY: _____ |
| REPRESENTATIVE: _____ | TYPE OF SERVICE: _____ | DATE: _____ |
| ENGINEER: _____ | SUBMITTED BY: _____ | DATE: _____ |
| CONTRACTOR: _____ | APPROVED BY: _____ | DATE: _____ |
| | ORDER NO.: _____ | DATE: _____ |

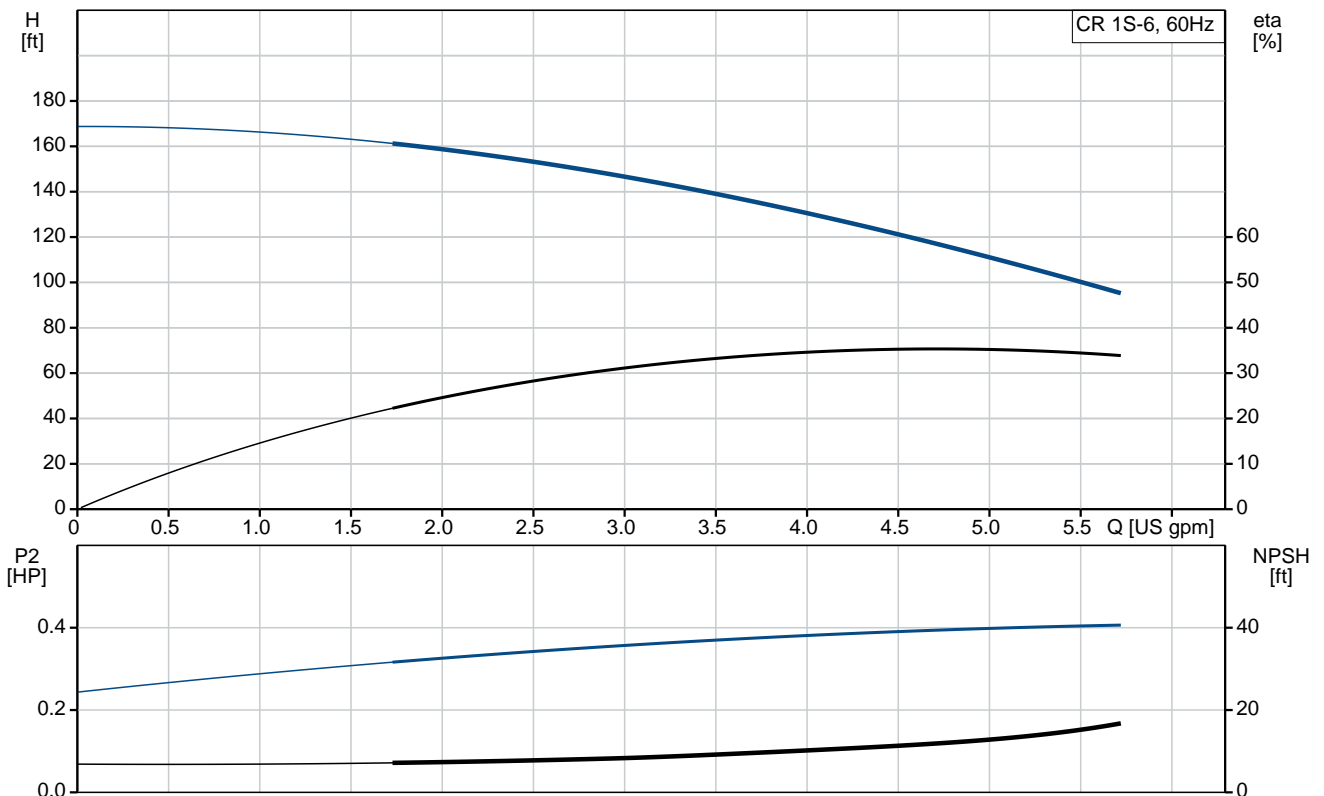
CR 1S-6 A-B-A-E-HQQE

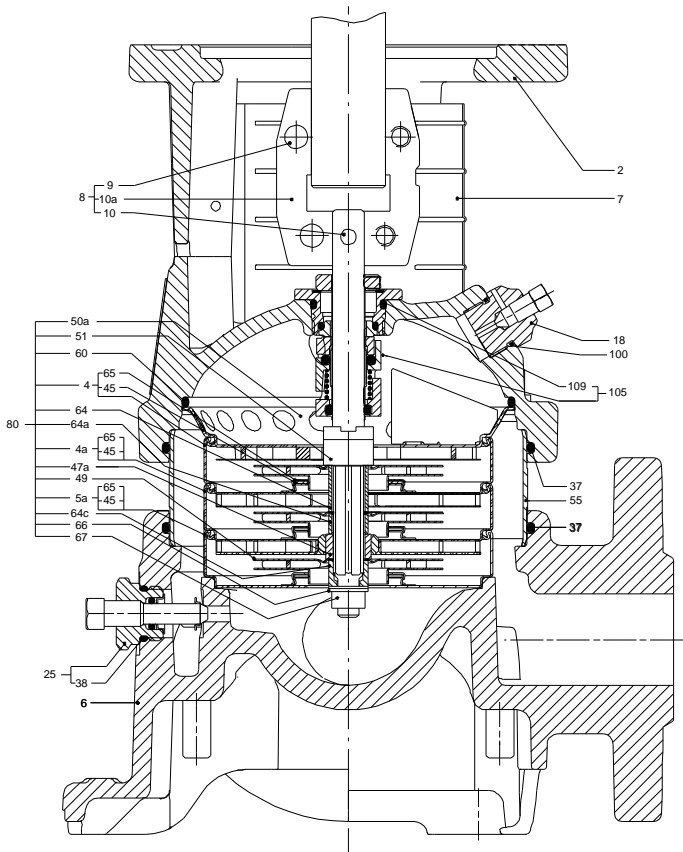
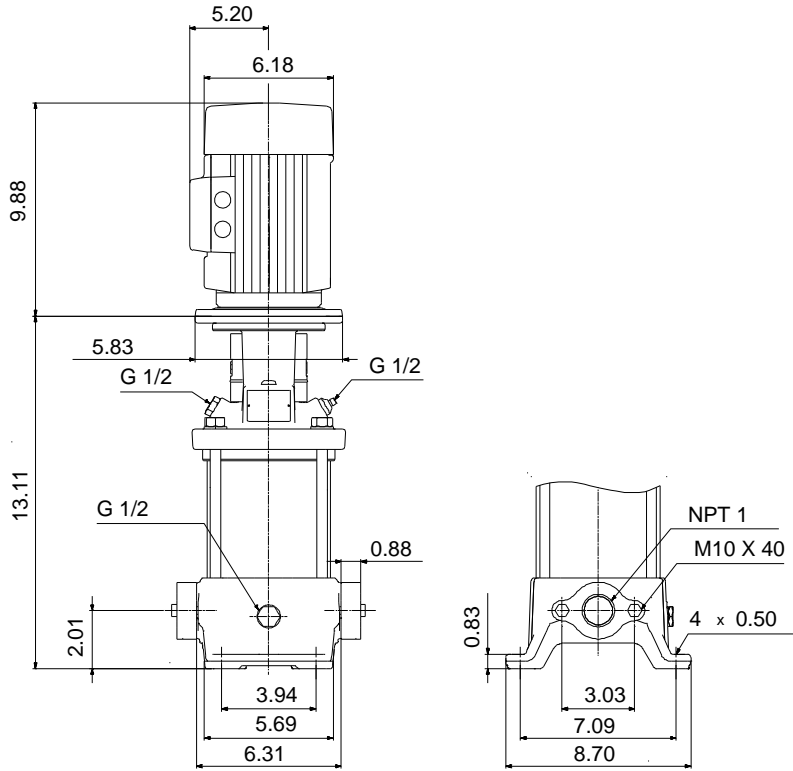


Vertical, multistage centrifugal pump with suction and discharge ports on the same level. The pump head and base are in cast iron. All other wetted parts are in stainless steel (EN 1.4301)(AISI 304)

Product photo could vary from the actual product


| Conditions of Service | Pump Data | Motor Data |
|-------------------------|--|------------------------------------|
| Flow: _____ | Max pressure at stated temperature: 232 psi / 250 °F | Rated power - P2: 0.5 HP |
| Head: _____ | Liquid temperature range: -4 .. 248 °F | Rated voltage: 115/230 V |
| Efficiency: _____ | Maximum ambient temperature: 104 °F | Main frequency: 60 Hz |
| Liquid: Water | Approvals: CURUS, NSF61 | Enclosure class: 54 Dust/Splashing |
| Temperature: 68 °F | Shaft seal: HQQE | Insulation class: B |
| NPSH required: ft | Product number: 96080883 | Motor type: Baldor |
| Viscosity: _____ | | |
| Specific Gravity: 1.000 | | |





Materials:

- Base: Cast iron
EN 1561 EN-GJL-200
ASTM A48-25B
- Impeller: Stainless steel
AISI 304
EN 1.4301
- Material code: A
- Code for rubber: E

| Position | Count | Description |
|----------|-------|--|
| | 1 | <p>CR 1S-6 A-B-A-E-HQQE</p>  <p>Product No.: 96080883 Vertical, non-self-priming, multistage, in-line, centrifugal pump for installation in pipe systems and mounting on a foundation.</p> <p>The pump has the following characteristics:</p> <ul style="list-style-type: none"> - Impellers and intermediate chambers are made of - The shaft seal has assembly length according to EN 12756. - Power transmission is via cast iron split coupling. <p>The motor is a 1-phase AC motor.</p> <p>Controls: Frequency converter: NONE</p> <p>Liquid: Pumped liquid: Water Liquid temperature range: -4 .. 248 °F Liquid temperature during operation: 68 °F Density: 62.29 lb/ft³</p> <p>Technical: Rated flow: 4.84 US gpm Rated head: 110.2 ft Pump orientation: Vertical Shaft seal arrangement: Single Code for shaft seal: HQQE Approvals on nameplate: CURUS,NSF61 Curve tolerance: ISO9906:2012 3B</p> <p>Materials: Base: Cast iron EN 1561 EN-GJL-200 ASTM A48-25B Impeller: Stainless steel EN 1.4301 AISI 304 Bearing: SIC</p> <p>Installation: Maximum ambient temperature: 104 °F Maximum operating pressure: 232 psi Max pressure at stated temperature: 232 psi / 250 °F 232 psi / -4 °F</p> <p>Type of connection: Oval / NPT(F) Size of suction port: 1 inch</p> |



Company name:

Created by:

Phone:

Date:

10/26/2018

| Position | Count | Description |
|----------|-------|---|
| | | Size of outlet port: 1 inch Pressure rating for pipe connection: PN 16 Flange size for motor: 56C |
| | | Electrical data: Motor standard: NEMA Motor type: Baldor Rated power - P2: 0.5 HP Power (P2) required by pump: 0.5 HP Main frequency: 60 Hz Rated voltage: 1 x 115/230 V Service factor: 1.60 Rated current: 7.4/3.7 A Rated speed: 3450 rpm Number of poles: 2 Enclosure class (IEC 34-5): 54 Dust/Splashing Insulation class (IEC 85): B |
| | | Others: Net weight: 55 lb Gross weight: 66 lb Shipping volume: 4.94 ft ³ Country of origin: US Custom tariff no.: 8413.70.2040 |



Company name:

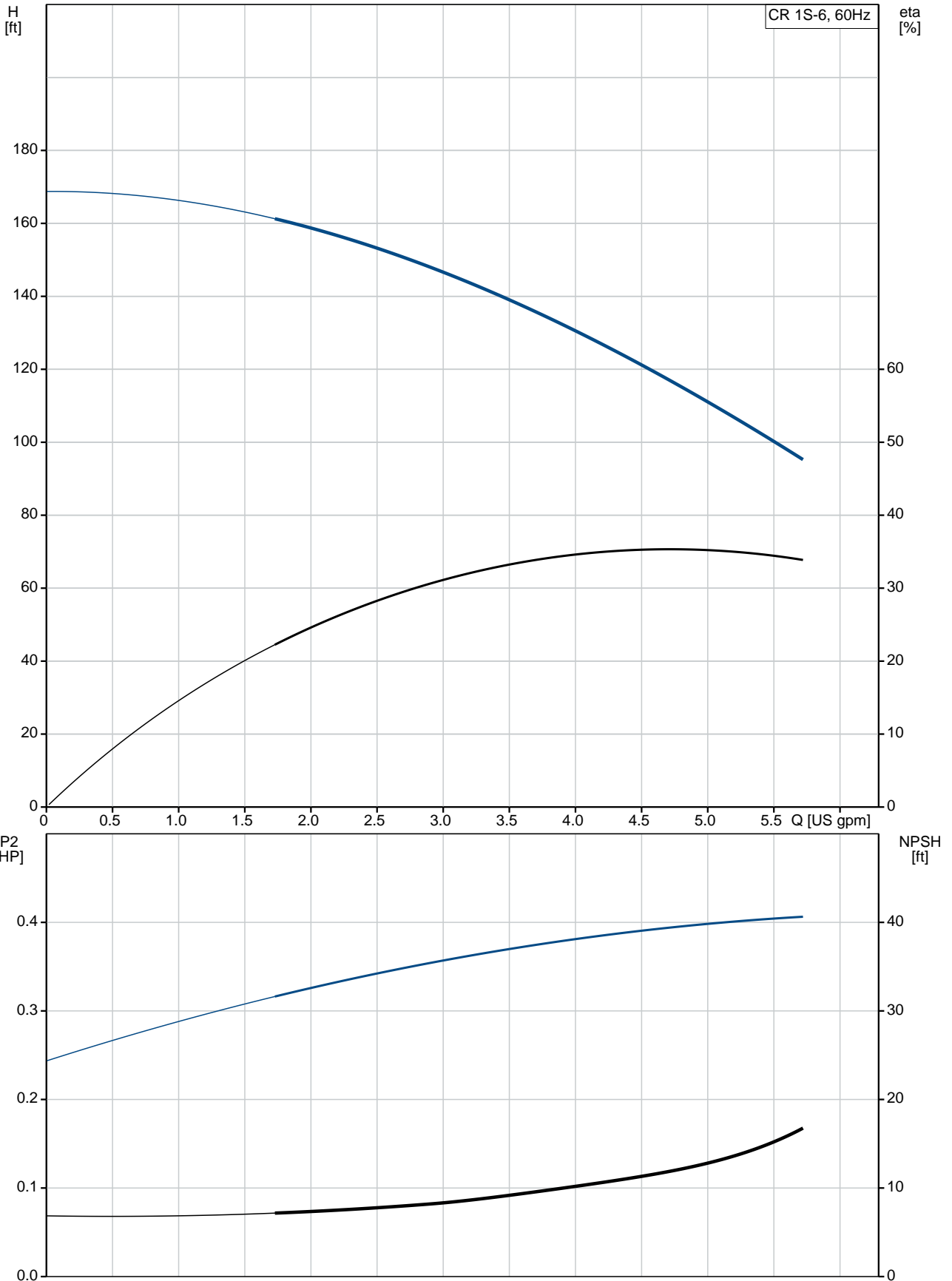
Created by:

Phone:

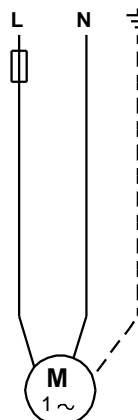
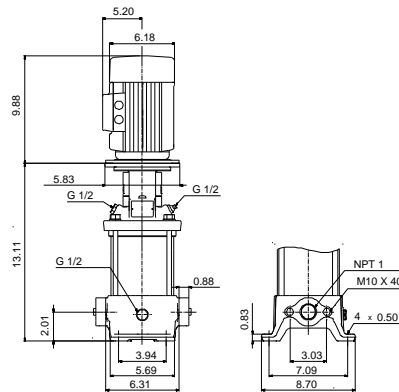
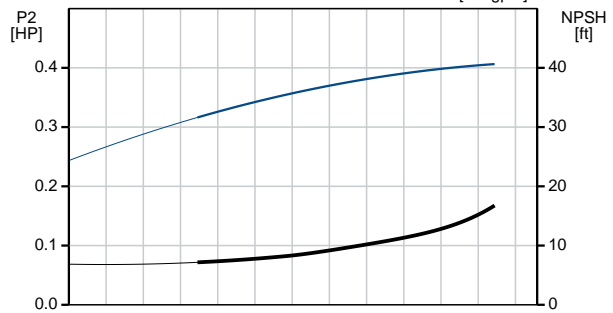
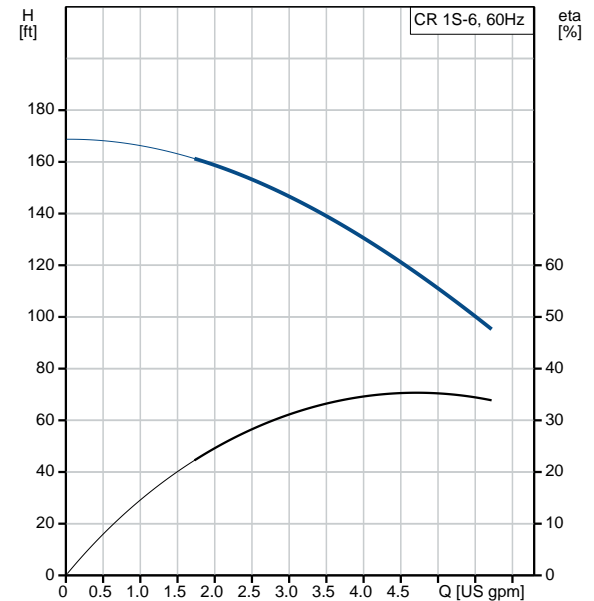
Date:

10/26/2018

96080883 CR 1S-6 A-B-A-E-HQQE 60 Hz



| Description | Value |
|---------------------------------------|----------------------|
| General information: | |
| Product name: | CR 1S-6 A-B-A-E-HQQE |
| Product No.: | 96080883 |
| EAN: | 5700395153415 |
| Technical: | |
| Rated flow: | 4.84 US gpm |
| Rated head: | 110.2 ft |
| Stages: | 6 |
| Impellers: | 6 |
| Number of reduced-diameter impellers: | 0 |
| Low NPSH: | N |
| Pump orientation: | Vertical |
| Shaft seal arrangement: | Single |
| Code for shaft seal: | HQQE |
| Approvals on nameplate: | CURUS,NSF61 |
| Curve tolerance: | ISO9906:2012 3B |
| Pump version: | A |
| Model: | A |
| Cooling: | TEFC |
| Materials: | |
| Base: | Cast iron |
| | EN 1561 EN-GJL-200 |
| | ASTM A48-25B |
| Impeller: | Stainless steel |
| | EN 1.4301 |
| | AISI 304 |
| Material code: | A |
| Code for rubber: | E |
| Bearing: | SIC |
| Installation: | |
| Maximum ambient temperature: | 104 °F |
| Maximum operating pressure: | 232 psi |
| Max pressure at stated temperature: | 232 psi / 250 °F |
| | 232 psi / -4 °F |
| Type of connection: | Oval / NPT(F) |
| Size of suction port: | 1 inch |
| Size of outlet port: | 1 inch |
| Pressure rating for pipe connection: | PN 16 |
| Flange size for motor: | 56C |
| Connect code: | B |
| Liquid: | |
| Pumped liquid: | Water |
| Liquid temperature range: | -4 .. 248 °F |
| Liquid temperature during operation: | 68 °F |
| Density: | 62.29 lb/ft³ |
| Electrical data: | |
| Motor standard: | NEMA |
| Motor type: | Baldor |
| Rated power - P2: | 0.5 HP |
| Power (P2) required by pump: | 0.5 HP |
| Main frequency: | 60 Hz |
| Rated voltage: | 1 x 115/230 V |
| Service factor: | 1.60 |
| Rated current: | 7.4/3.7 A |
| Load current: | 9.8/4.9 A |
| Rated speed: | 3450 rpm |
| Number of poles: | 2 |
| Enclosure class (IEC 34-5): | 54 Dust/Splashing |





Company name:

Created by:

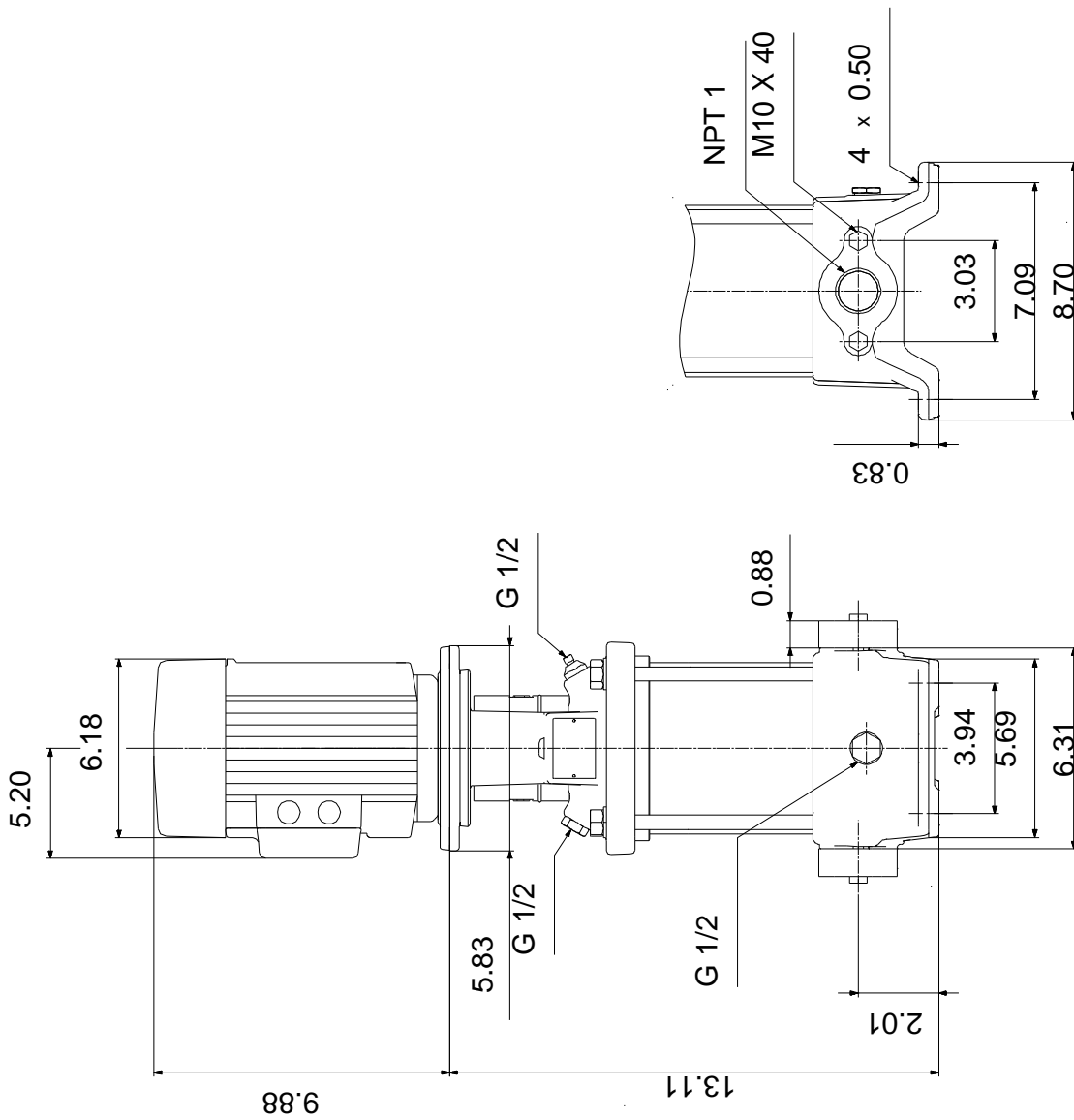
Phone:

Date:

10/26/2018

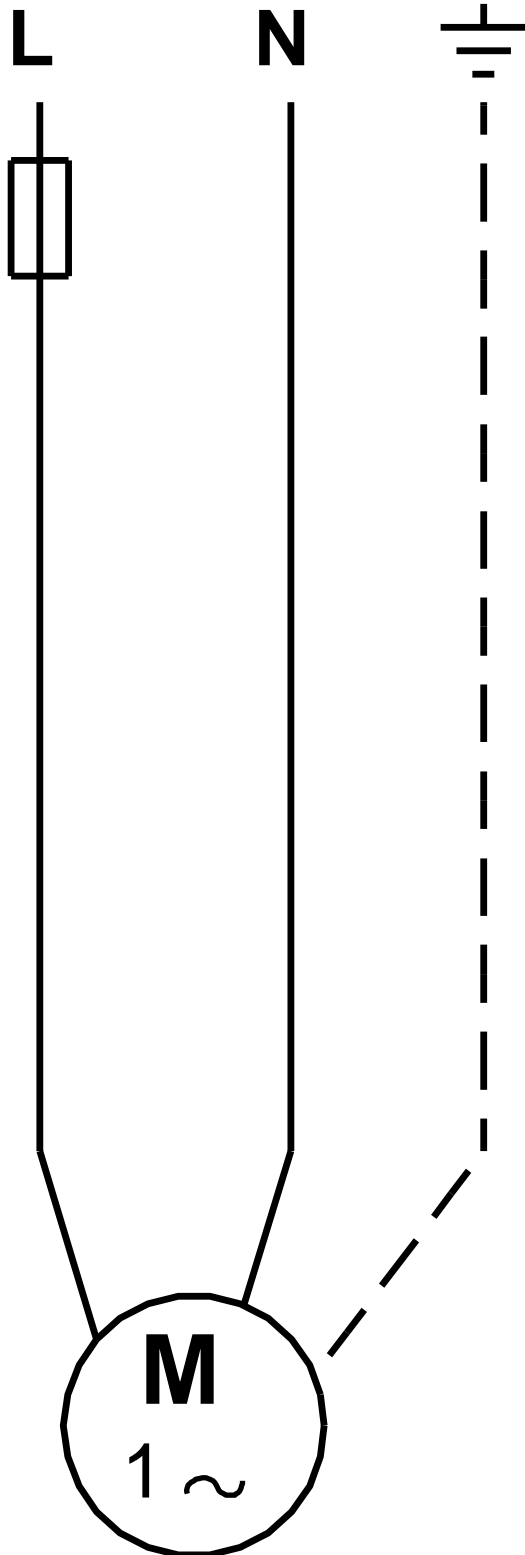
| Description | Value |
|----------------------------|----------------------|
| Insulation class (IEC 85): | B |
| Motor Number: | 85700002 |
| Controls: | |
| Frequency converter: | NONE |
| Others: | |
| Net weight: | 55 lb |
| Gross weight: | 66 lb |
| Shipping volume: | 4.94 ft ³ |
| Country of origin: | US |
| Custom tariff no.: | 8413.70.2040 |

96080883 CR 1S-6 A-B-A-E-HQQE 60 Hz



Note! All units are in [mm] unless otherwise stated.
 Disclaimer: This simplified dimensional drawing does not show all details.

96080883 CR 1S-6 A-B-A-E-HQQE 60 Hz



All units are [mm] unless otherwise presented.