

PROJECT: _____	UNIT TAG: _____	QUANTITY: _____
REPRESENTATIVE: _____	TYPE OF SERVICE: _____	DATE: _____
ENGINEER: _____	SUBMITTED BY: _____	DATE: _____
CONTRACTOR: _____	APPROVED BY: _____	DATE: _____
	ORDER NO.: _____	DATE: _____

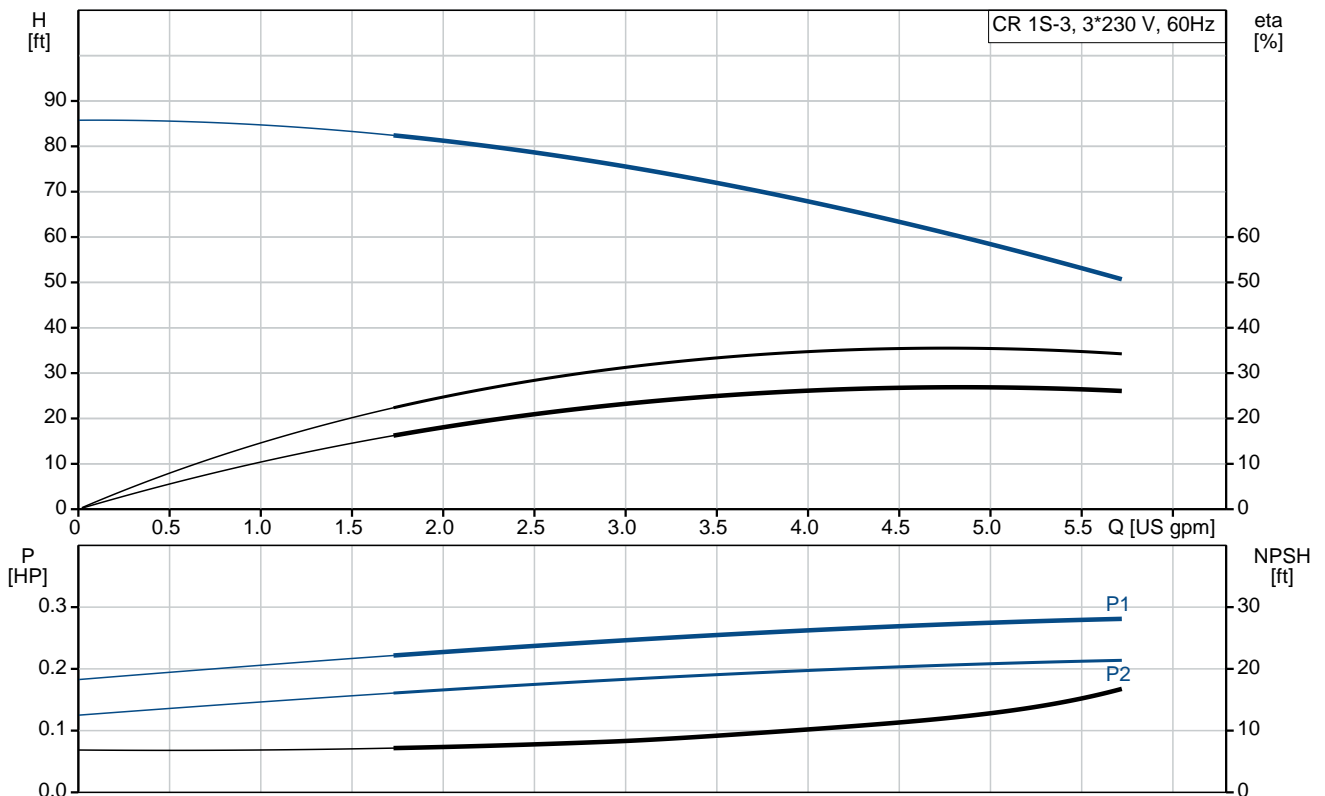


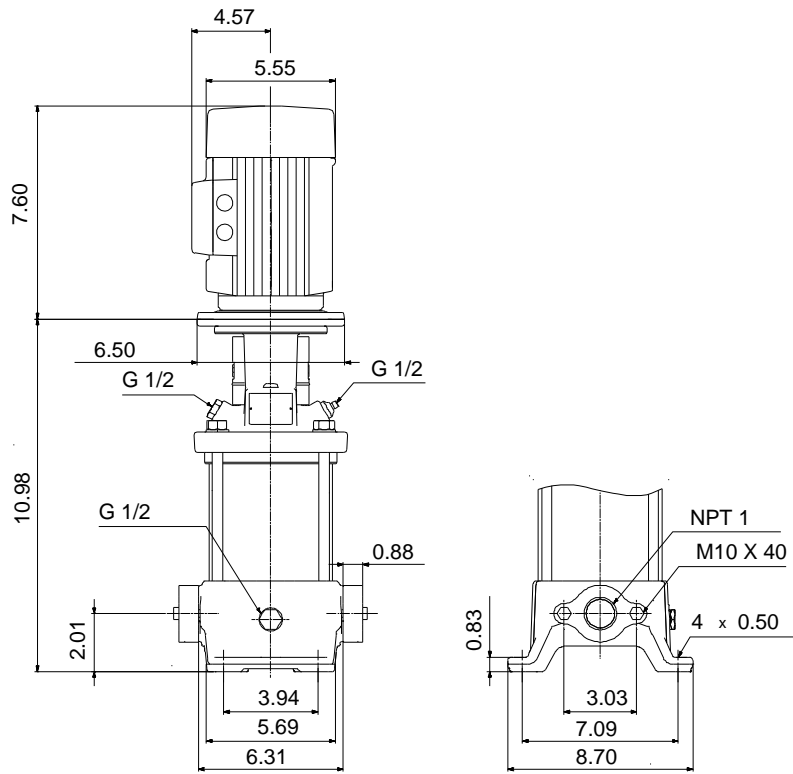
CR 1S-3 A-B-A-E-HQQE

Vertical, multistage centrifugal pump with suction and discharge ports on the same level. The pump head and base are in cast iron. All other wetted parts are in stainless steel (EN 1.4301)(AISI 304)

Product photo could vary from the actual product

Conditions of Service	Pump Data	Motor Data
Flow: _____	Max pressure at stated temperature: 232 psi / 250 °F	Rated power - P2: 0.33 HP
Head: _____	Liquid temperature range: -4 .. 248 °F	Rated voltage: 208-230YY/460Y V
Efficiency: _____	Maximum ambient temperature: 104 °F	Main frequency: 60 Hz
Liquid: Water	Approvals: CURUS,NSF61	Enclosure class: 55 Dust/Jetting
Temperature: 68 °F	Shaft seal: HQQE	Insulation class: F
NPSH required: ft	Product number: On request	Motor protection: NONE
Viscosity: _____		Motor type: 71AA
Specific Gravity: 1.000		Motor_efficiency: 78.5 %






Materials:

Base: Cast iron
 EN 1561 EN-GJL-200
 ASTM A48-25B

Impeller: Stainless steel
 AISI 304
 EN 1.4301

Material code: A
 Code for rubber: E

Position	Count	Description
	1	<p>CR 1S-3 A-B-A-E-HQQE</p>  <p>Product No.: On request Vertical, non-self-priming, multistage, in-line, centrifugal pump for installation in pipe systems and mounting on a foundation.</p> <p>The pump has the following characteristics:</p> <ul style="list-style-type: none"> - Impellers and intermediate chambers are made of - The shaft seal has assembly length according to EN 12756. - Power transmission is via cast iron split coupling. <p>The motor is a 3-phase AC motor.</p> <p>Controls: Frequency converter: NONE</p> <p>Liquid: Pumped liquid: Water Liquid temperature range: -4 .. 248 °F Liquid temperature during operation: 68 °F Density: 62.29 lb/ft³</p> <p>Technical: Rated flow: 4.84 US gpm Rated head: 58.4 ft Pump orientation: Vertical Shaft seal arrangement: Single Code for shaft seal: HQQE Approvals on nameplate: CURUS,NSF61 Curve tolerance: ISO9906:2012 3B</p> <p>Materials: Base: Cast iron EN 1561 EN-GJL-200 ASTM A48-25B Impeller: Stainless steel EN 1.4301 AISI 304 Bearing: SIC</p> <p>Installation: Maximum ambient temperature: 104 °F Maximum operating pressure: 232 psi Max pressure at stated temperature: 232 psi / 250 °F 232 psi / -4 °F Type of connection: Oval / NPT(F) Size of suction port: 1 inch</p>



Company name:

Created by:

Phone:

Date:

10/15/2018

Position	Count	Description
		Size of outlet port: 1 inch Pressure rating for pipe connection: PN 16 Flange size for motor: 56C
		Electrical data: Motor standard: NEMA Motor type: 71AA Rated power - P2: 0.33 HP Power (P2) required by pump: 0.33 HP Main frequency: 60 Hz Rated voltage: 3 x 208-230YY/460Y V Service factor: 1.35 Rated current: 1,12-1,10/0,55 A Starting current: 630-700 % Cos phi - power factor: 0.81-0.75 Rated speed: 3450-3480 rpm Motor efficiency at full load: 78.5 % Number of poles: 2 Enclosure class (IEC 34-5): 55 Dust/Jetting Insulation class (IEC 85): F
		Others: Net weight: 46 lb Gross weight: 57 lb Shipping volume: 4.94 ft ³ Country of origin: US Custom tariff no.: 8413.70.2040



Company name:

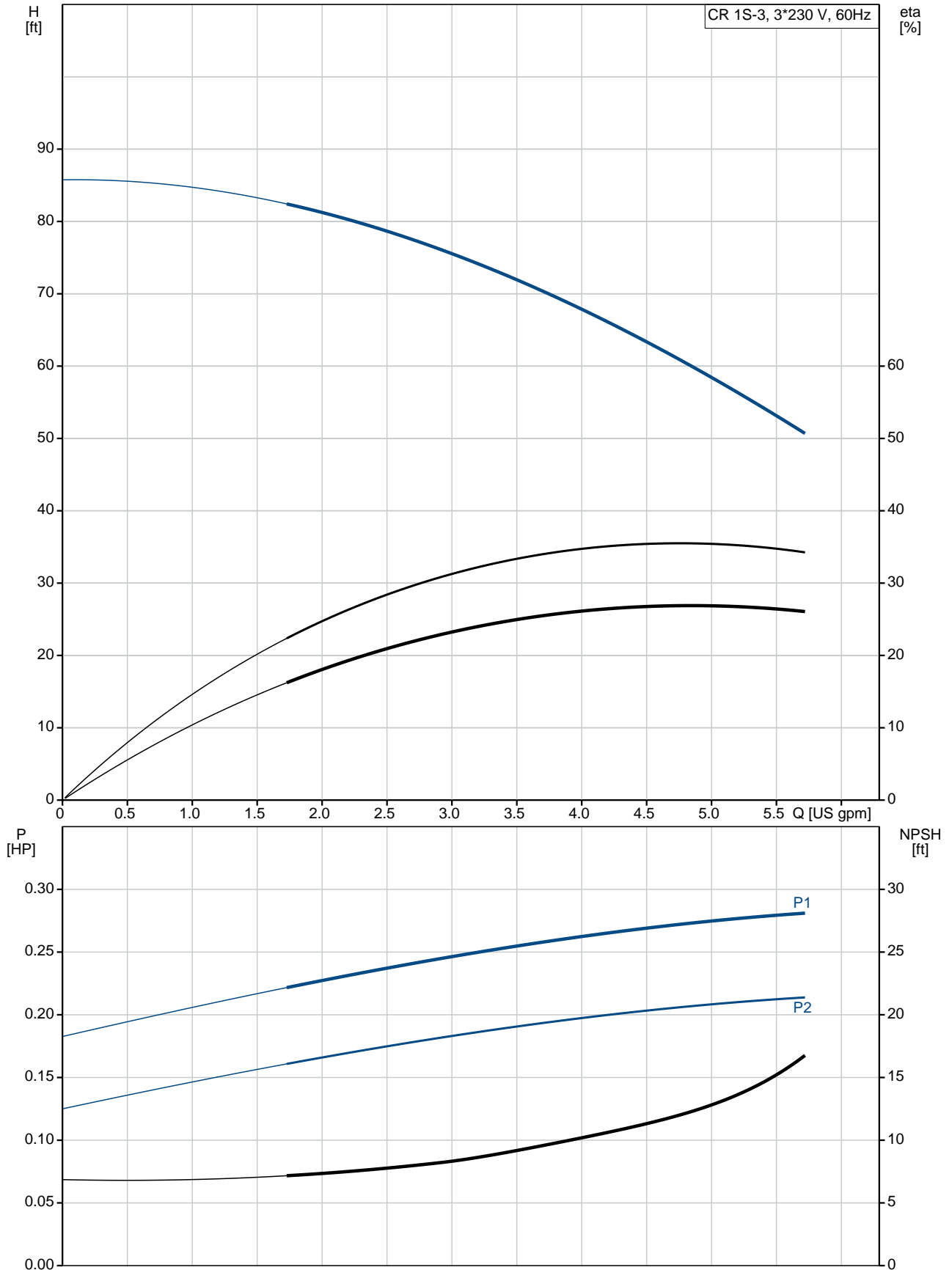
Created by:

Phone:

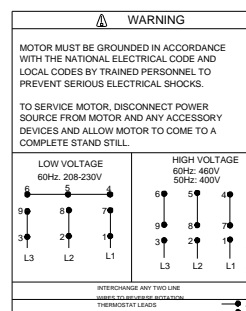
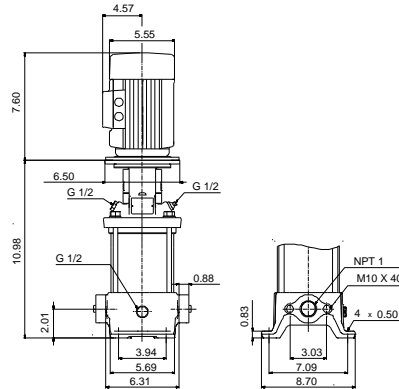
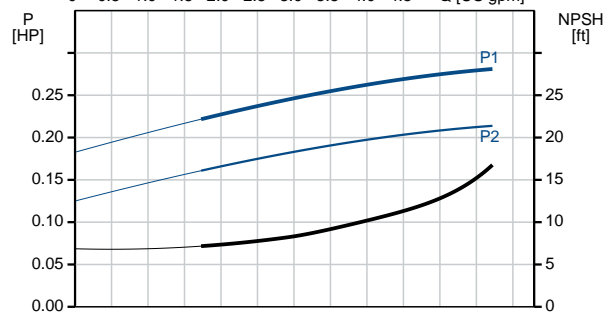
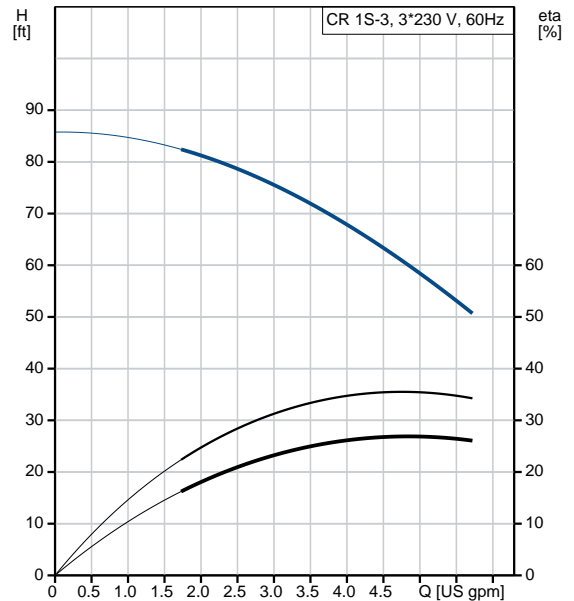
Date:

10/15/2018

On request CR 1S-3 A-B-A-E-HQQE 60 Hz



Description	Value
General information:	
Product name:	CR 1S-3 A-B-A-E-HQQE
Product No.:	On request
EAN:	On request
Technical:	
Rated flow:	4.84 US gpm
Rated head:	58.4 ft
Stages:	3
Impellers:	3
Number of reduced-diameter impellers:	0
Low NPSH:	N
Pump orientation:	Vertical
Shaft seal arrangement:	Single
Code for shaft seal:	HQQE
Approvals on nameplate:	CURUS,NSF61
Curve tolerance:	ISO9906:2012 3B
Pump version:	A
Model:	A
Cooling:	TEFC
Materials:	
Base:	Cast iron
	EN 1561 EN-GJL-200
	ASTM A48-25B
Impeller:	Stainless steel
	EN 1.4301
	AISI 304
Material code:	A
Code for rubber:	E
Bearing:	SIC
Installation:	
Maximum ambient temperature:	104 °F
Maximum operating pressure:	232 psi
Max pressure at stated temperature:	232 psi / 250 °F
	232 psi / -4 °F
Type of connection:	Oval / NPT(F)
Size of suction port:	1 inch
Size of outlet port:	1 inch
Pressure rating for pipe connection:	PN 16
Flange size for motor:	56C
Connect code:	B
Liquid:	
Pumped liquid:	Water
Liquid temperature range:	-4 .. 248 °F
Liquid temperature during operation:	68 °F
Density:	62.29 lb/ft ³
Electrical data:	
Motor standard:	NEMA
Motor type:	71AA
Rated power - P2:	0.33 HP
Power (P2) required by pump:	0.33 HP
Main frequency:	60 Hz
Rated voltage:	3 x 208-230YY/460Y V
Service factor:	1.35
Rated current:	1,12-1,10/0,55 A
Starting current:	630-700 %
Load current:	1,5-1,45/0,75 A
Cos phi - power factor:	0.81-0.75
Rated speed:	3450-3480 rpm





Company name:

Created by:

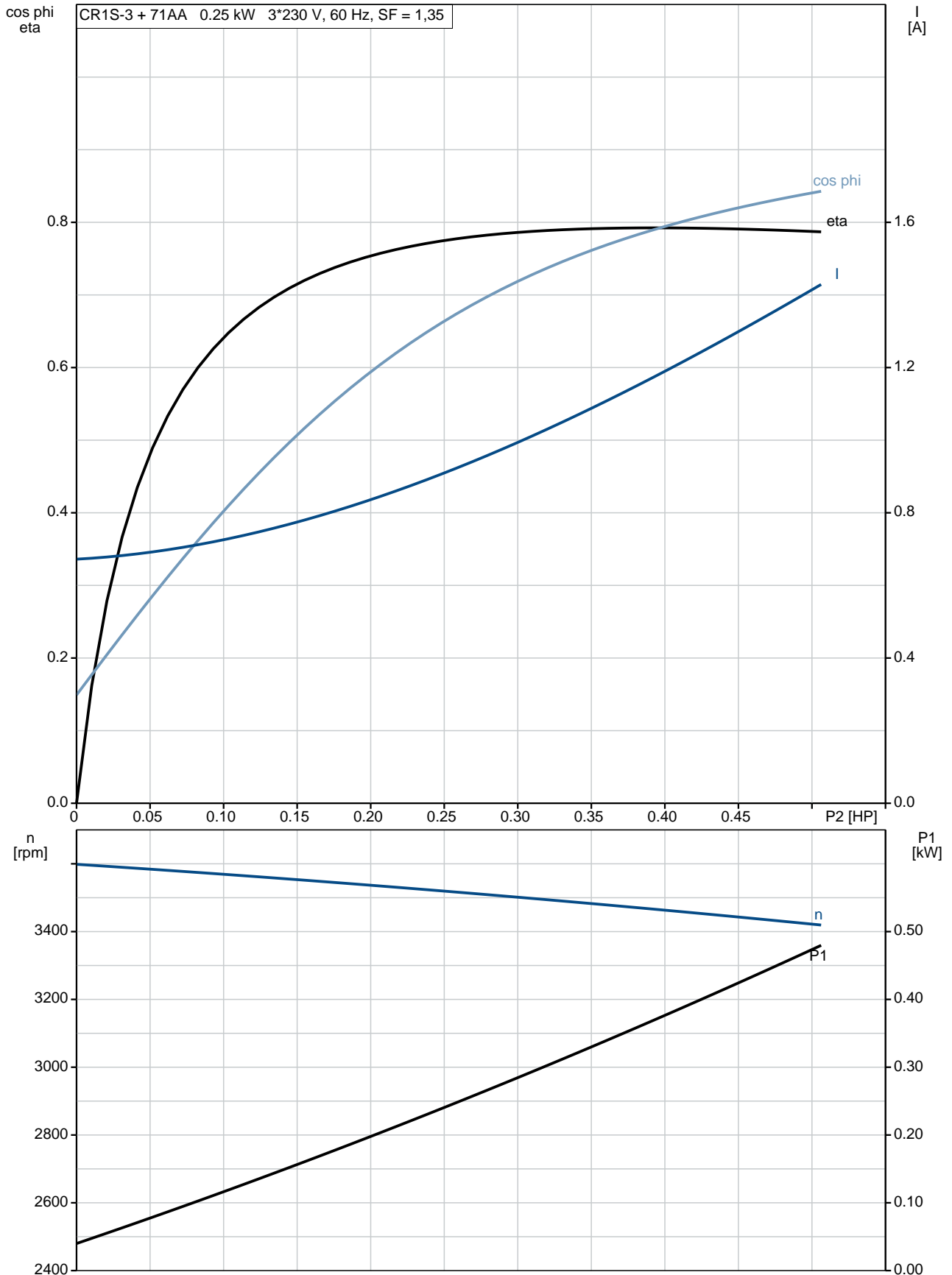
Phone:

Date:

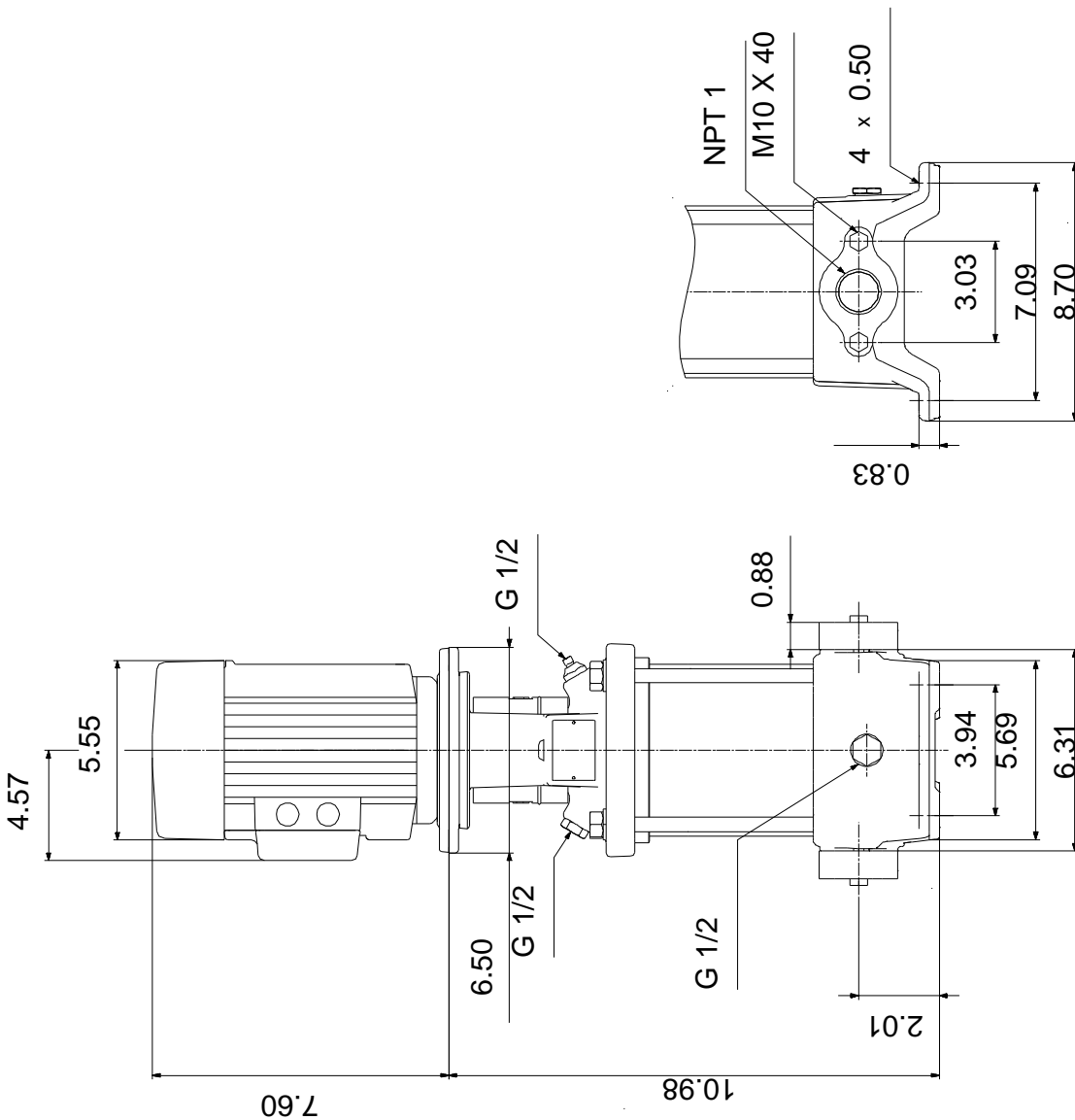
10/15/2018

Description	Value
Motor efficiency at full load:	78.5 %
Number of poles:	2
Enclosure class (IEC 34-5):	55 Dust/Jetting
Insulation class (IEC 85):	F
Motor protection:	NONE
Motor Number:	85900700
Controls:	
Frequency converter:	NONE
Others:	
Net weight:	46 lb
Gross weight:	57 lb
Shipping volume:	4.94 ft ³
Country of origin:	US
Custom tariff no.:	8413.70.2040

On request CR 1S-3 A-B-A-E-HQQE 60 Hz



On request CR 1S-3 A-B-A-E-HQQE 60 Hz



Note! All units are in [mm] unless otherwise stated.
Disclaimer: This simplified dimensional drawing does not show all details.

On request CR 1S-3 A-B-A-E-HQQE 60 Hz

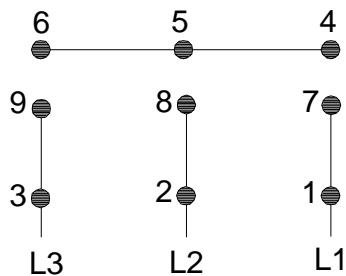


WARNING

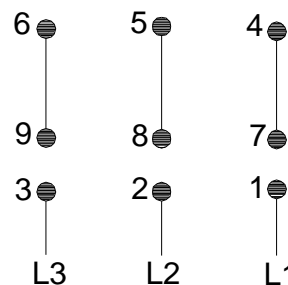
MOTOR MUST BE GROUNDED IN ACCORDANCE WITH THE NATIONAL ELECTRICAL CODE AND LOCAL CODES BY TRAINED PERSONNEL TO PREVENT SERIOUS ELECTRICAL SHOCKS.

TO SERVICE MOTOR, DISCONNECT POWER SOURCE FROM MOTOR AND ANY ACCESSORY DEVICES AND ALLOW MOTOR TO COME TO A COMPLETE STAND STILL.

LOW VOLTAGE 60Hz. 208-230V



HIGH VOLTAGE 60Hz: 460V 50Hz: 400V



96553852

INTERCHANGE ANY TWO LINE WIRES TO REVERSE ROTATION
THERMOSTAT LEADS
(WHEN PROVIDED)

