

|                       |                        |                 |
|-----------------------|------------------------|-----------------|
| PROJECT: _____        | UNIT TAG: _____        | QUANTITY: _____ |
| REPRESENTATIVE: _____ | TYPE OF SERVICE: _____ | DATE: _____     |
| ENGINEER: _____       | SUBMITTED BY: _____    | DATE: _____     |
| CONTRACTOR: _____     | APPROVED BY: _____     | DATE: _____     |
|                       | ORDER NO.: _____       | DATE: _____     |

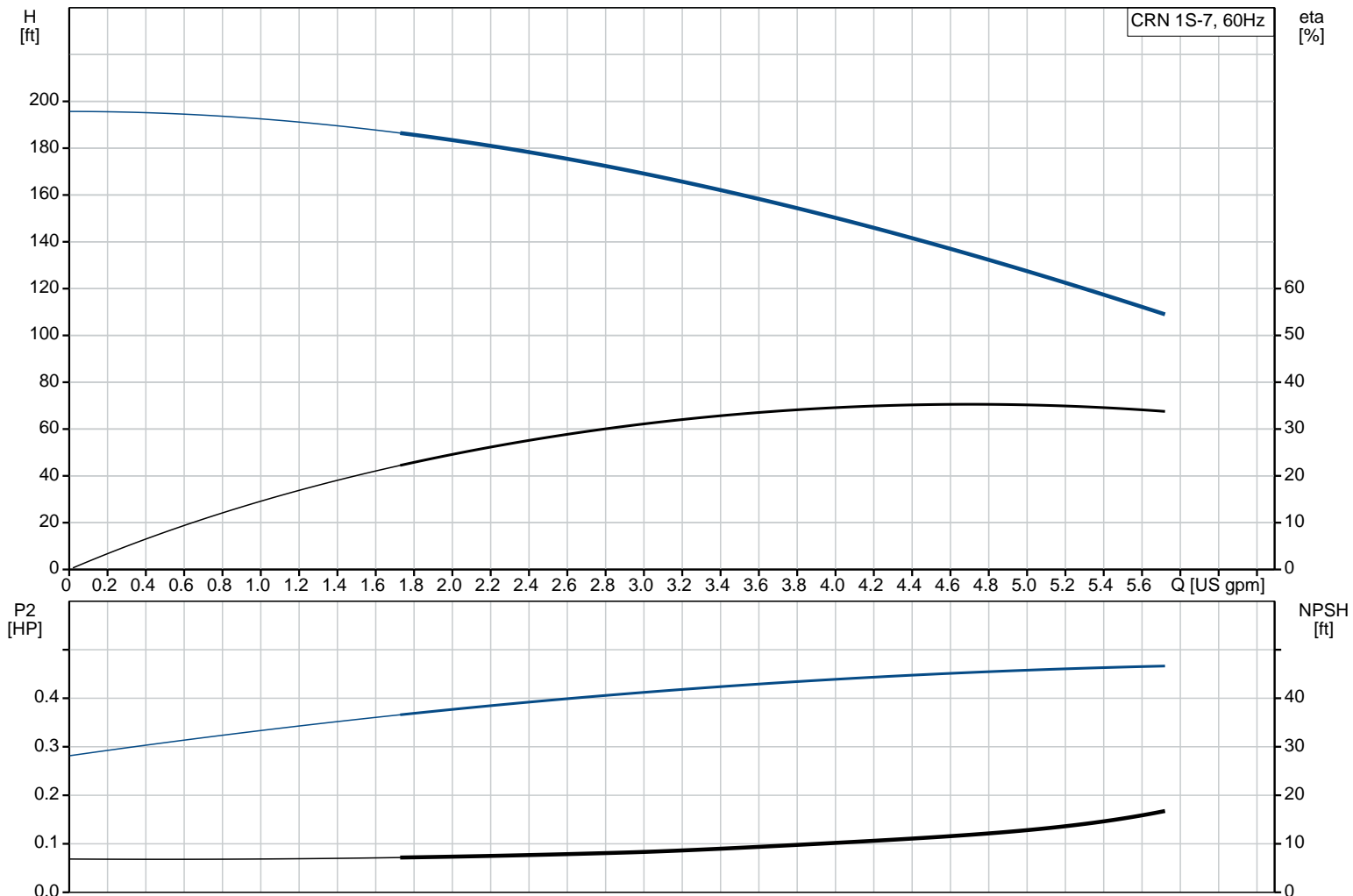


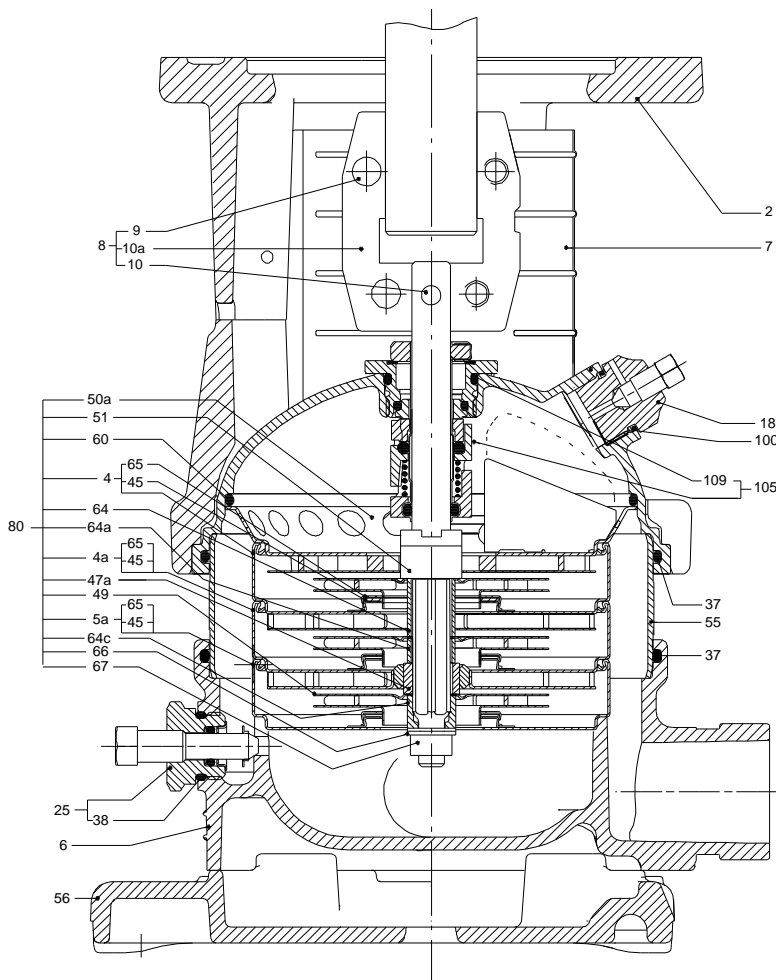
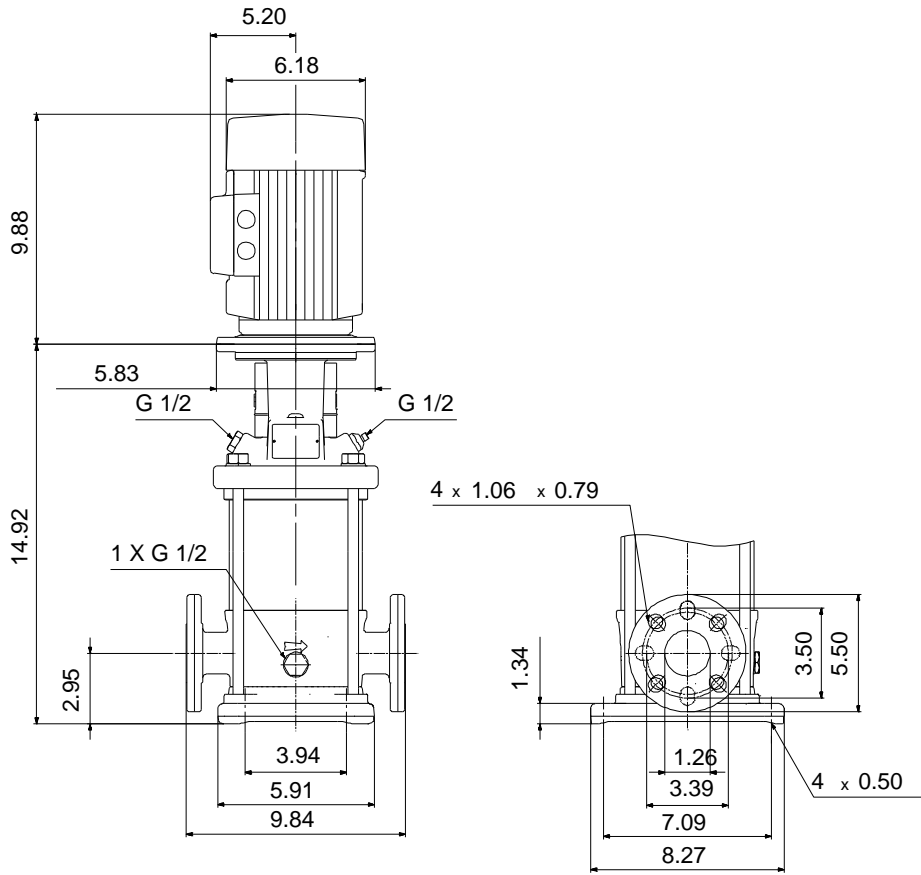
## CRN 1S-7 A-FGJ-A-V-HQQV

Vertical, multistage centrifugal pump with suction and discharge ports on same the level. Pump materials in contact with the liquid are in high-grade stainless steel (EN 1.4401) (AISI 316)

Product photo could vary from the actual product


| Conditions of Service   | Pump Data  | Motor Data                         |
|-------------------------|--|------------------------------------|
| Flow: _____             | Max pressure at stated temperature: 363 psi / 194 °F | Rated power - P2: 0.5 HP           |
| Head: _____             | Liquid temperature range: -4 .. 194 °F               | Rated voltage: 115/230 V           |
| Efficiency: _____       | Maximum ambient temperature: 104 °F                  | Main frequency: 60 Hz              |
| Liquid: Water           | Approvals: CURUS                                     | Enclosure class: 54 Dust/Splashing |
| Temperature: 68 °F      | Shaft seal: HQQV                                     | Insulation class: B                |
| NPSH required: ft       | Product number: 96081885                             | Motor type: Baldor                 |
| Viscosity: _____        |  |                                    |
| Specific Gravity: 1.000 |  |                                    |





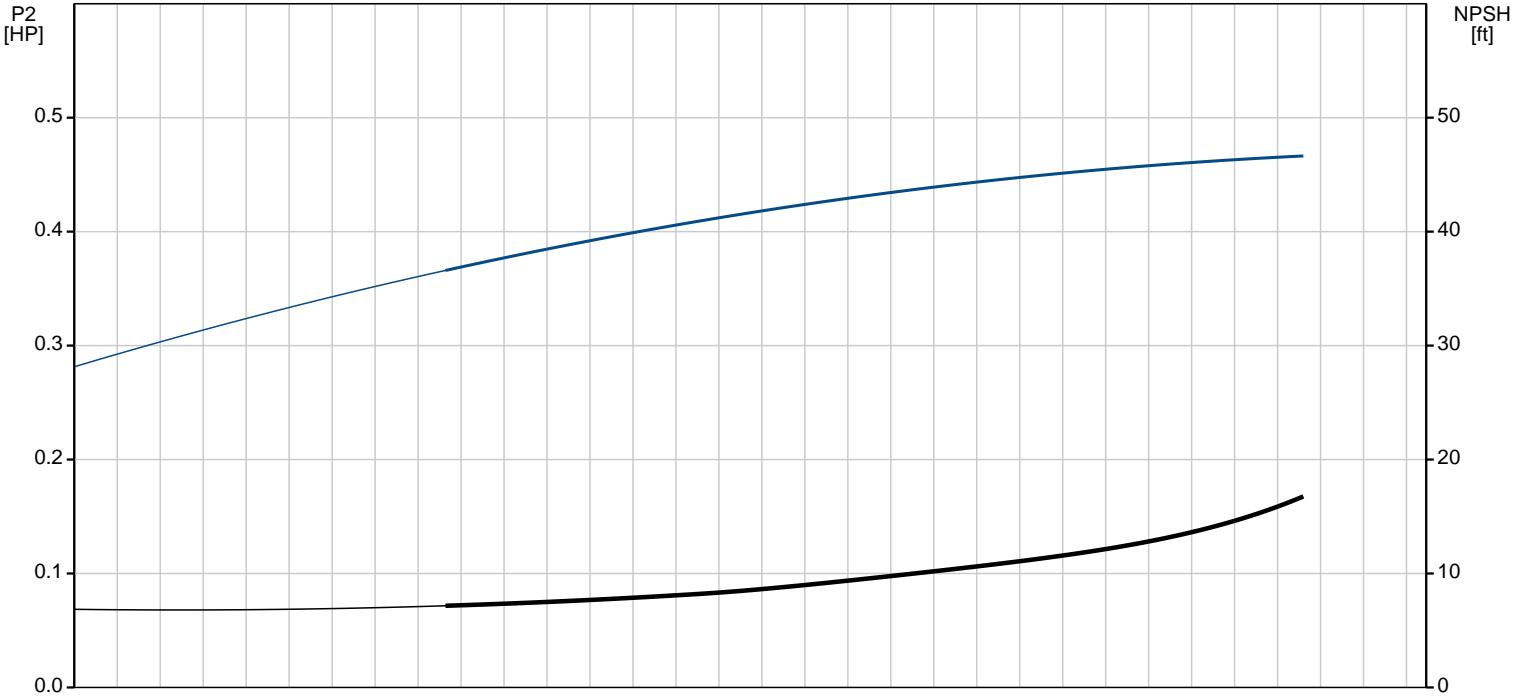
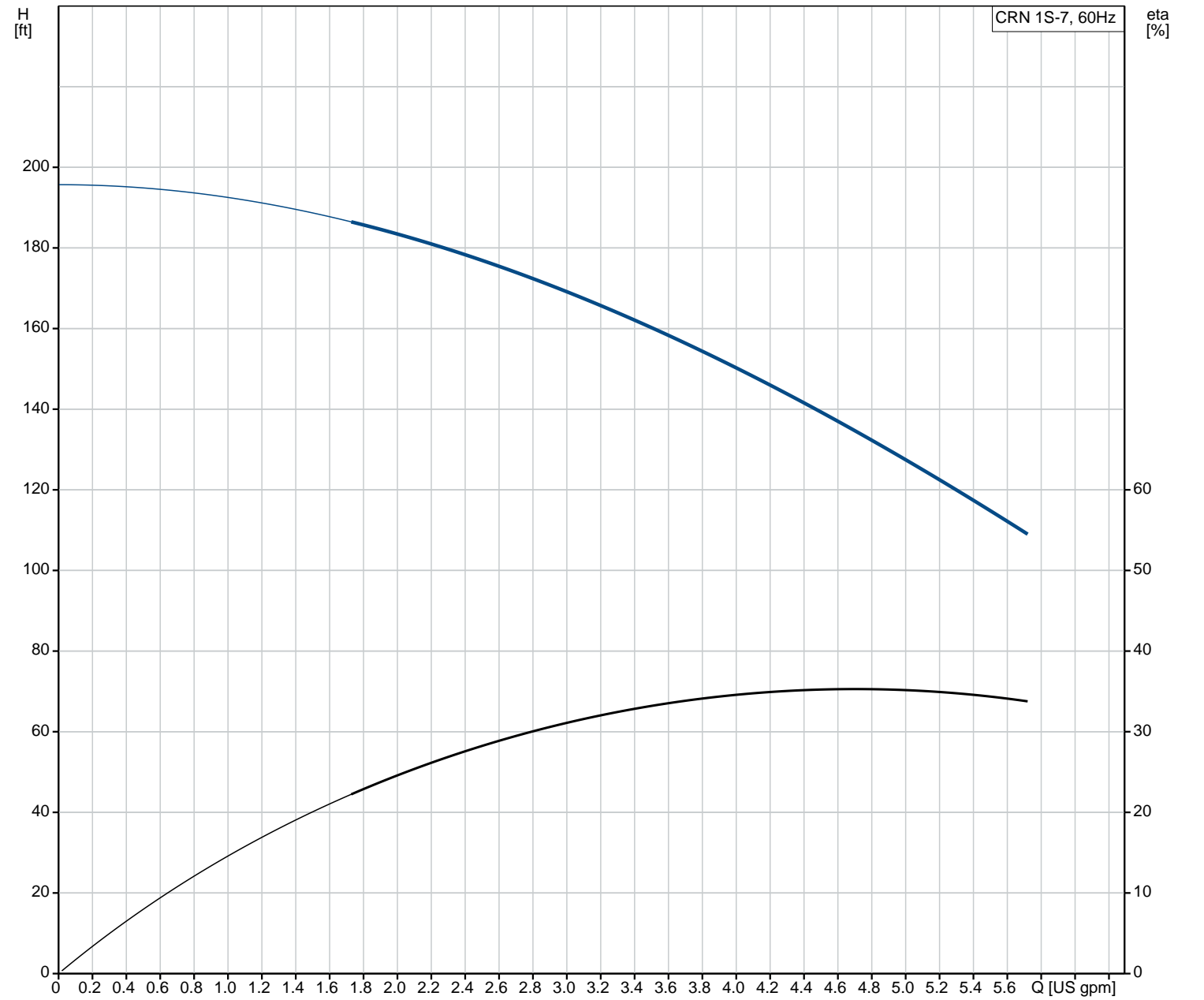
**Materials:**

- Base: Stainless steel  
EN 1.4408  
AISI 316
- Impeller: Stainless steel  
AISI 316  
EN 1.4401
- Material code: A
- Code for rubber: V

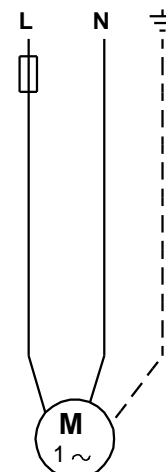
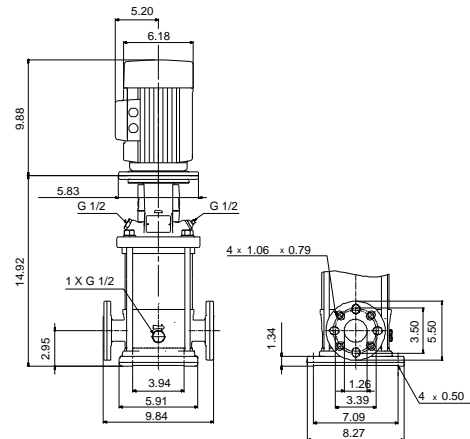
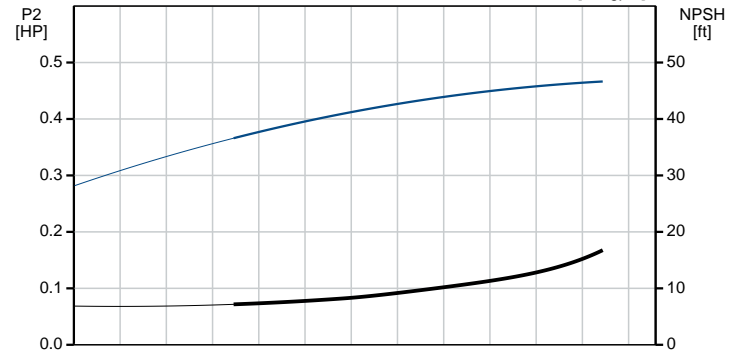
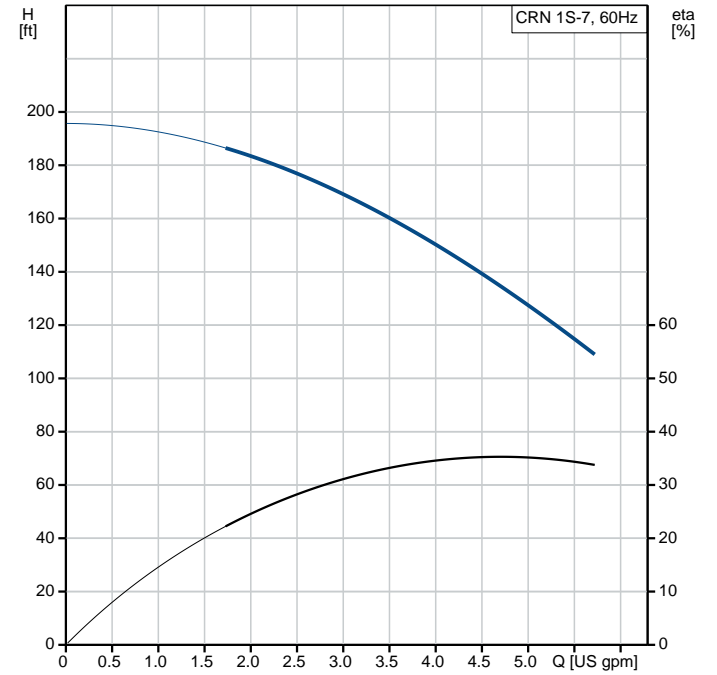
| Position | Count | Description  |
|----------|-------|--|
|          | 1     | <p><b>CRN 1S-7 A-FGJ-A-V-HQQV</b></p>  <p>Product No.: <a href="#">96081885</a><br/>           Vertical, non-self-priming, multistage, in-line, centrifugal pump for installation in pipe systems and mounting on a foundation.</p> <p>The pump has the following characteristics:</p> <ul style="list-style-type: none"> <li>- Impellers, intermediate chambers and outer sleeve are made of</li> <li>- Pump head cover and base are made of</li> <li>- The shaft seal has assembly length according to EN 12756.</li> <li>- Power transmission is via cast iron split coupling.</li> </ul> <p>flanges/couplings.</p> <p>The motor is a 1-phase AC motor.</p> <p><b>Controls:</b><br/>           Frequency converter: NONE</p> <p><b>Liquid:</b><br/>           Pumped liquid: Water<br/>           Liquid temperature range: -4 .. 194 °F<br/>           Liquid temperature during operation: 68 °F<br/>           Density: 62.29 lb/ft³</p> <p><b>Technical:</b><br/>           Rated flow: 4.84 US gpm<br/>           Rated head: 130.6 ft<br/>           Pump orientation: Vertical<br/>           Shaft seal arrangement: Single<br/>           Code for shaft seal: HQQV<br/>           Approvals on nameplate: CURUS<br/>           Curve tolerance: ISO9906:2012 3B</p> <p><b>Materials:</b><br/>           Base: Stainless steel<br/>                     EN 1.4408<br/>                     AISI 316<br/>           Impeller: Stainless steel<br/>                     EN 1.4401<br/>                     AISI 316<br/>           Bearing: SIC</p> <p><b>Installation:</b><br/>           Maximum ambient temperature: 104 °F<br/>           Maximum operating pressure: 363 psi<br/>           Max pressure at stated temperature: 363 psi / 194 °F<br/>             363 psi / -4 °F</p> <p>Type of connection: DIN / ANSI / JIS<br/>           Size of inlet connection: DN 25/32<br/>           Size of suction port: 1 1/4 inch<br/>           Size of outlet connection: DN 25/32<br/>           Size of outlet port: 1 1/4 inch<br/>           Pressure rating for pipe connection: PN 25<br/>           Flange rating inlet: 300 lb</p> |

| Position | Count | Description  |
|----------|-------|--|
|          |       | <p>Flange size for motor: 56C</p> <p><b>Electrical data:</b></p> <p>Motor standard: NEMA</p> <p>Motor type: Baldor</p> <p>Rated power - P2: 0.5 HP</p> <p>Power (P2) required by pump: 0.5 HP</p> <p>Main frequency: 60 Hz</p> <p>Rated voltage: 1 x 115/230 V</p> <p>Service factor: 1.60</p> <p>Rated current: 7.4/3.7 A</p> <p>Rated speed: 3450 rpm</p> <p>Number of poles: 2</p> <p>Enclosure class (IEC 34-5): 54 Dust/Splashing</p> <p>Insulation class (IEC 85): B</p> <p><b>Others:</b></p> <p>Net weight: 60.7 lb</p> <p>Gross weight: 71.7 lb</p> <p>Shipping volume: 6.11 ft<sup>3</sup></p> <p>Country of origin: US</p> <p>Custom tariff no.: 8413.70.2040</p> |

## 96081885 CRN 1S-7 A-FGJ-A-V-HQQV 60 Hz



| Description                           | Value                                    |
|---------------------------------------|--|
| <b>General information:</b>           |  |
| Product name:                         | CRN 1S-7 A-FGJ-A-V-HQQV                  |
| Product No.:                          | 96081885                                 |
| EAN:                                  | 5700395163391                            |
| <b>Technical:</b>                     |  |
| Rated flow:                           | 4.84 US gpm                              |
| Rated head:                           | 130.6 ft                                 |
| Stages:                               | 7  |
| Impellers:                            | 7  |
| Number of reduced-diameter impellers: | 0  |
| Low NPSH:                             | N  |
| Pump orientation:                     | Vertical                                 |
| Shaft seal arrangement:               | Single                                   |
| Code for shaft seal:                  | HQQV                                     |
| Approvals on nameplate:               | CURUS                                    |
| Curve tolerance:                      | ISO9906:2012 3B                          |
| Pump version:                         | A  |
| Model:                                | A  |
| Cooling:                              | TEFC                                     |
| <b>Materials:</b>                     |  |
| Base:                                 | Stainless steel<br>EN 1.4408<br>AISI 316 |
| Impeller:                             | Stainless steel<br>EN 1.4401<br>AISI 316 |
| Material code:                        | A  |
| Code for rubber:                      | V  |
| Bearing:                              | SIC                                      |
| <b>Installation:</b>                  |  |
| Maximum ambient temperature:          | 104 °F                                   |
| Maximum operating pressure:           | 363 psi                                  |
| Max pressure at stated temperature:   | 363 psi / 194 °F<br>363 psi / -4 °F      |
| Type of connection:                   | DIN / ANSI / JIS                         |
| Size of inlet connection:             | DN 25/32                                 |
| Size of suction port:                 | 1 1/4 inch                               |
| Size of outlet connection:            | DN 25/32                                 |
| Size of outlet port:                  | 1 1/4 inch                               |
| Pressure rating for pipe connection:  | PN 25                                    |
| Flange rating inlet:                  | 300 lb                                   |
| Flange size for motor:                | 56C                                      |
| Connect code:                         | FGJ                                      |
| <b>Liquid:</b>                        |  |
| Pumped liquid:                        | Water                                    |
| Liquid temperature range:             | -4 .. 194 °F                             |
| Liquid temperature during operation:  | 68 °F                                    |
| Density:                              | 62.29 lb/ft³                             |
| <b>Electrical data:</b>               |  |
| Motor standard:                       | NEMA                                     |
| Motor type:                           | Baldor                                   |
| Rated power - P2:                     | 0.5 HP                                   |
| Power (P2) required by pump:          | 0.5 HP                                   |
| Main frequency:                       | 60 Hz                                    |
| Rated voltage:                        | 1 x 115/230 V                            |
| Service factor:                       | 1.60                                     |
| Rated current:                        | 7.4/3.7 A                                |
| Load current:                         | 9.8/4.9 A                                |
| Rated speed:                          | 3450 rpm                                 |
| Number of poles:                      | 2  |
| Enclosure class (IEC 34-5):           | 54 Dust/Splashing                        |
| Insulation class (IEC 85):            | B  |
| Motor Number:                         | 85700002                                 |
| <b>Controls:</b>                      |  |
| Frequency converter:                  | NONE                                     |
| <b>Others:</b>                        |  |





Company name:

Created by:

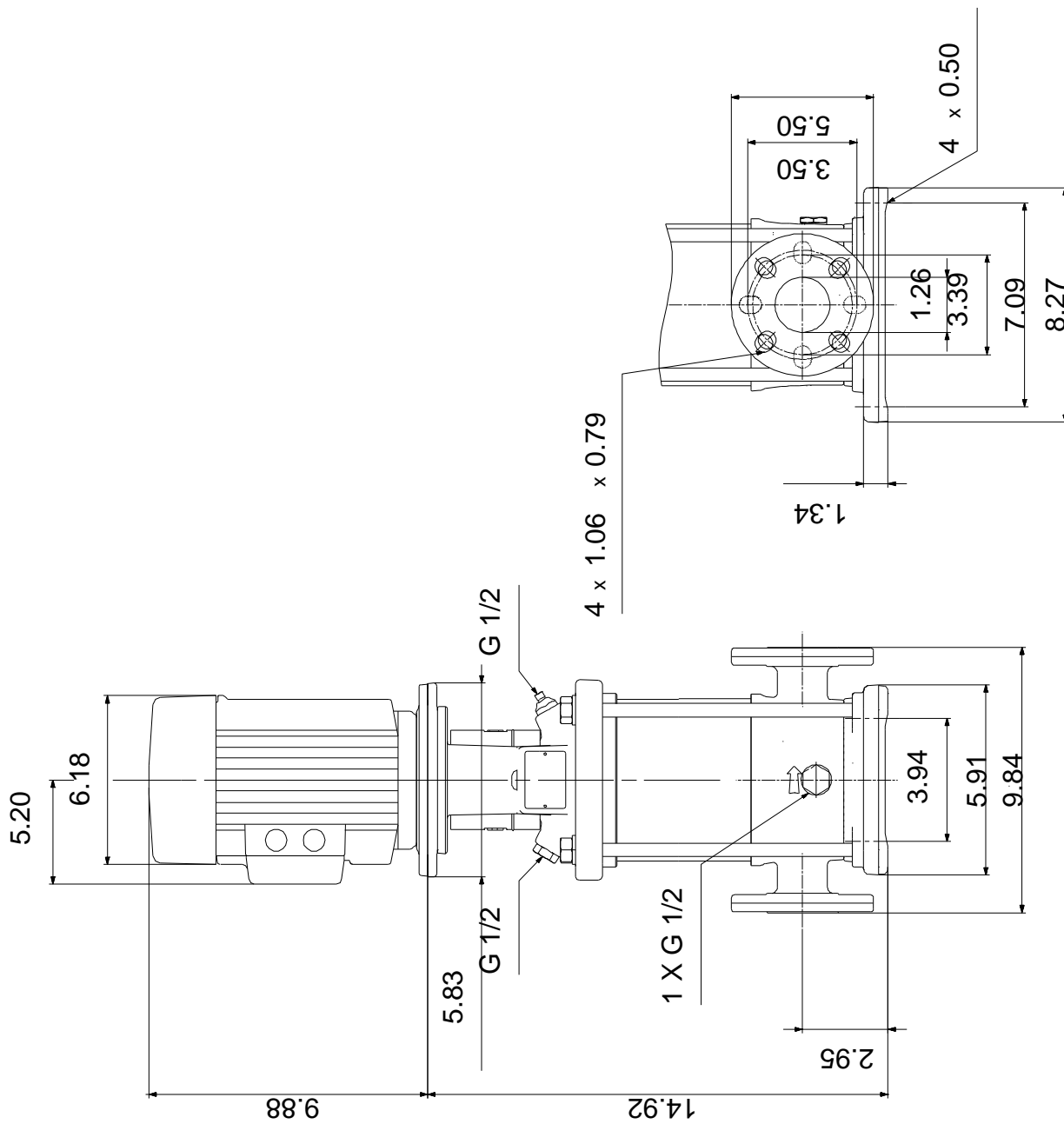
Phone:

Date:

11/9/2018

| Description        | Value                |
|--------------------|----------------------|
| Net weight:        | 60.7 lb              |
| Gross weight:      | 71.7 lb              |
| Shipping volume:   | 6.11 ft <sup>3</sup> |
| Country of origin: | US                   |
| Custom tariff no.: | 8413.70.2040         |

## 96081885 CRN 1S-7 A-FGJ-A-V-HQQV 60 Hz





96081885 CRN 1S-7 A-FGJ-A-V-HQQV 60 Hz

