


Position	Count	Description
	1	<p data-bbox="341 338 475 365"><b>DDA 7.5-16</b></p> <div data-bbox="379 465 683 725" style="text-align: center;">  </div> <p data-bbox="732 721 1190 745" style="text-align: center;"><b>Product photo could vary from the actual product</b></p> <p data-bbox="341 752 746 808">Product No.: On request DDA 7.5-16 AR-PVC/V/C-F-31U7U7</p> <p data-bbox="341 842 1455 1084">The SMART Digital DDA is a compact positive displacement, diaphragm dosing pump with variable-speed drive (stepper motor) and intelligent control electronics with minimum energy consumption. The SMART Digital Dosing series operates at full stroke length to ensure optimum accuracy, priming and suction, even for high-viscosity or degassing liquids. The duration of each discharge stroke varies according to the capacity set, resulting in optimum smooth and continuous discharge flow. The click-stop mounting plate allows installation in three different positions without using any additional accessories. The control cube can be turned easily into front, left or right position. The click wheel and the multi-coloured backlit graphical, plain-text LC display make commissioning and operation intuitive. The control elements are protected by a transparent cover.</p> <p data-bbox="341 1126 708 1153">The dosing head is composed of:</p> <ul data-bbox="379 1158 1184 1245" style="list-style-type: none"> <li>- Long lifetime and universal, chemically resistant full-PTFE diaphragm.</li> <li>- Double ball valves for highest dosing accuracy.</li> <li>- Deaeration valve for easy start-up.</li> </ul> <p data-bbox="341 1274 539 1301">Operation modes:</p> <ul data-bbox="379 1305 1062 1480" style="list-style-type: none"> <li>- Manual dosing in ml/h, l/h or gph.</li> <li>- Pulse control in ml/pulse (incl. memory function).</li> <li>- Analog control 0/4-20 mA (scalable).</li> <li>- Pulse-based batch function in ml, l or gal.</li> <li>- Timer-based batch function (Dosing timer, cycle or week).</li> <li>- Fieldbus control (Genibus prepared for ProfibusDP E-box).</li> </ul> <p data-bbox="341 1512 507 1538">Other features:</p> <ul data-bbox="379 1543 1423 1807" style="list-style-type: none"> <li>- Auto deaeration during pump standby to avoid breakdowns due to air-locking.</li> <li>- Two SlowMode steps (anti-cavitation), 50 % (maximum flow: 0.9906 US gal/hour) and 25 % (maximum flow: 0.4966 US gal/hour), e.g. for high-viscosity or degassing liquids.</li> <li>- Service information display to show when service and which wear-part order number is required.</li> <li>- Two-step key lock function to protect the pump against unauthorised access.</li> <li>- Additional display function to provide further information, e.g. the actual mA input signal.</li> <li>- Counter for total dosed volume (resettable), operating hours, etc.</li> <li>- Save and load customised settings as well as reload of factory settings.</li> </ul> <p data-bbox="341 1839 580 1865">Signal inputs/outputs:</p> <ul data-bbox="379 1870 1439 2045" style="list-style-type: none"> <li>- Input for pulse, analog 0/4-20mA, external stop.</li> <li>- Input for low-level and empty-tank signal.</li> <li>- Two potential-free output relays for max. 30 V AC/DC (configurable, e.g. alarm, stroke signal, pump dosing, timer etc.)</li> <li>- Output analog 0/4-20mA.</li> <li>- Fieldbus communication interface (GeniBus, also for additional Profibus DP E-box to retrofit).</li> </ul> <p data-bbox="341 2076 466 2103"><b>Technical:</b></p>



Company name:

Created by:

Phone:

Date:

11/7/2018

Position	Count	Description
		Type key: DDA 7.5-16 AR-PVC/V/C-F-31U7U7 Max. Flow: 1.981 US gal/hour Max. flow in slow mode 50%: 0.9906 US gal/hour Max. flow in slow mode 25%: 0.4966 US gal/hour Min flow: 2.5 ml/h Turn-down ratio: 1:3000 Approvals on nameplate: CE,CSA-US,NSF61,RCM Valve type: Standard Maximum viscosity at 100 %: 50 mPas Maximum viscosity in slow mode 50 %: 1800 mPas Maximum viscosity in slow mode 25 %: 2500 mPas Accuracy of repeatability: 1 %  <b>Materials:</b> Dosing head: PVC (Polyvinyl chloride) Valve ball: Ceramic Gasket: FKM  <b>Installation:</b> Range of ambient temperature: 32 .. 113 °F Maximum operating pressure: 145 psi Installation set: NO Installation type: No installation set Pump inlet: 0.17x 1/4, 1/4x3/8, 3/8x1/2" Pump outlet: 0.17x 1/4, 1/4x3/8, 3/8x1/2" Max. Suction lift during operation: 19.69 ft Max. Suction lift during priming: 6.562 ft  <b>Liquid:</b> Pumped liquid: Water Liquid temperature range: 14 .. 113 °F Liquid temperature during operation: 68 °F Density: 62.29 lb/ft <sup>3</sup>  <b>Electrical data:</b> Maximum power input - P1: 24 W Main frequency: 60 Hz Rated voltage: 1 x 100-240 V Enclosure class (IEC 34-5): IP65 / NEMA 4X Length of cable: 4.922 ft Type of cable plug: USA, Canada Inrush current: 25A at 230V for 2ms  <b>Controls:</b> Control variant: AR Level control: YES Analog input: 0/4-20 mA Pulse control: YES Ext. Stop input: YES Analog output: 0/4-20 mA Output relays: 2 Bus communication: YES  <b>Others:</b> Net weight: 4.41 lb Gross weight: 6.62 lb COLOR: RED Custom tariff no.: 8413.50.0050



Company name:

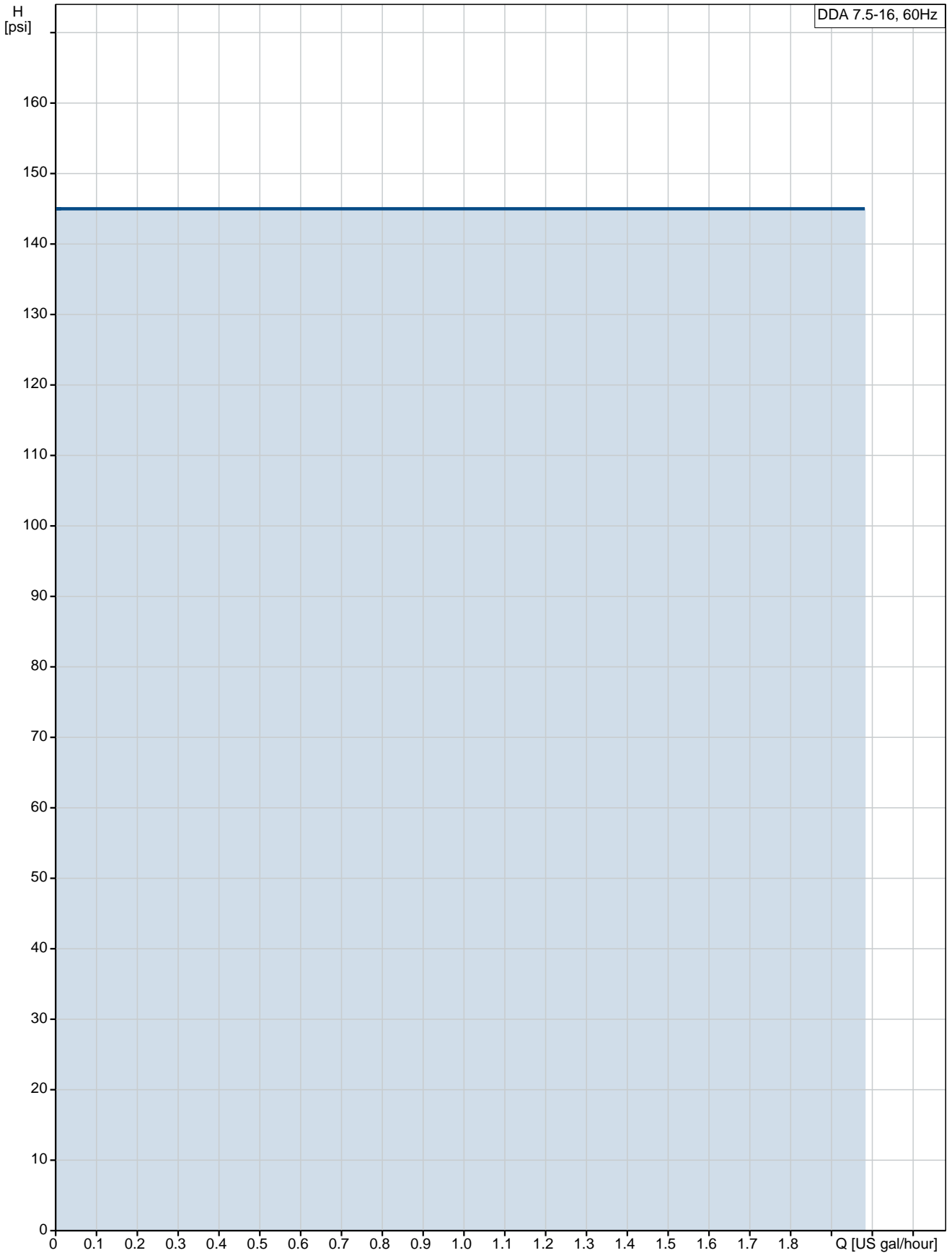
Created by:

Phone:

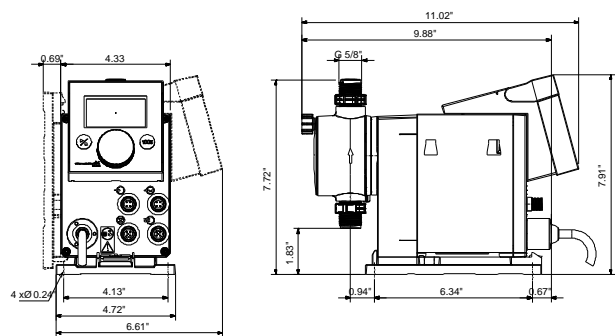
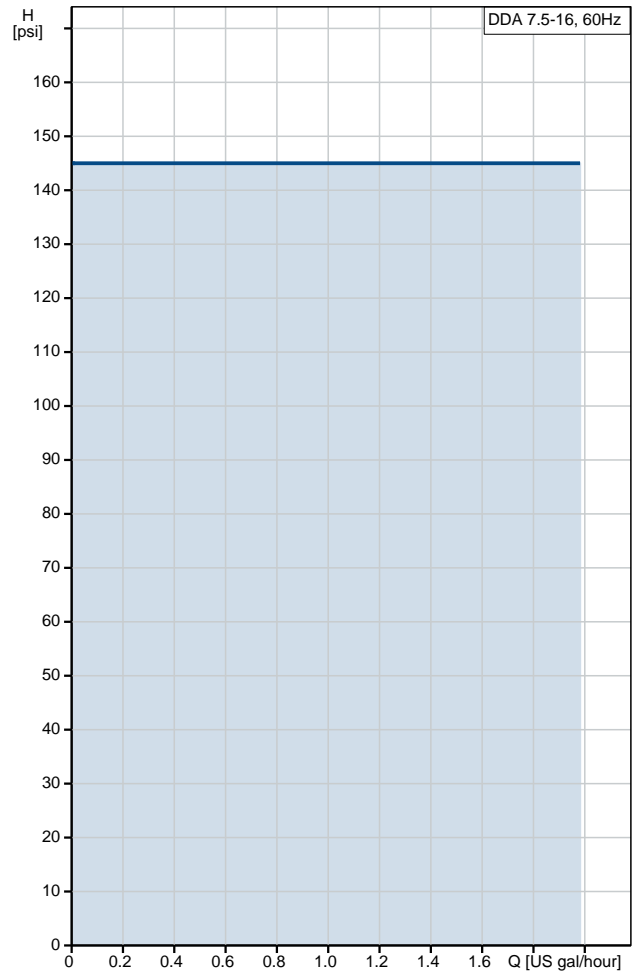
Date:

11/7/2018

## On request DDA 7.5-16 60 Hz



Description	Value
<b>General information:</b>	
Product name:	DDA 7.5-16
Product No.:	On request
EAN:	On request
<b>Technical:</b>	
Type key:	DDA 7.5-16 AR-PVC/V/C-F-31U7U7
Max. Flow:	1.981 US gal/hour
Max. flow in slow mode 50%:	0.9906 US gal/hour
Max. flow in slow mode 25%:	0.4966 US gal/hour
Min flow:	2.5 ml/h
Turn-down ratio:	1:3000
Approvals on nameplate:	CE, CSA-US, NSF61, RCM
Valve type:	Standard
Maximum viscosity at 100 %:	50 mPas
Maximum viscosity in slow mode 50 %:	1800 mPas
Maximum viscosity in slow mode 25 %:	2500 mPas
Accuracy of repeatability:	1 %
<b>Materials:</b>	
Dosing head:	PVC (Polyvinyl chloride)
Valve ball:	Ceramic
Gasket:	FKM
<b>Installation:</b>	
Range of ambient temperature:	32 .. 113 °F
Maximum operating pressure:	145 psi
Installation set:	NO
Installation type:	No installation set
Pump inlet:	0.17x 1/4, 1/4x3/8, 3/8x1/2"
Pump outlet:	0.17x 1/4, 1/4x3/8, 3/8x1/2"
Max. Suction lift during operation:	19.69 ft
Max. Suction lift during priming:	6.562 ft
<b>Liquid:</b>	
Pumped liquid:	Water
Liquid temperature range:	14 .. 113 °F
Liquid temperature during operation:	68 °F
Density:	62.29 lb/ft <sup>3</sup>
<b>Electrical data:</b>	
Maximum power input - P1:	24 W
Main frequency:	60 Hz
Rated voltage:	1 x 100-240 V
Enclosure class (IEC 34-5):	IP65 / NEMA 4X
Length of cable:	4.922 ft
Type of cable plug:	USA, Canada
Inrush current:	25A at 230V for 2ms
<b>Controls:</b>	
Control variant:	AR
Control panel:	FRONT-MOUNTED
Level control:	YES
Analog input:	0/4-20 mA
Pulse control:	YES
Ext. Stop input:	YES
Analog output:	0/4-20 mA
Output relays:	2
Bus communication:	YES
<b>Others:</b>	
Net weight:	4.41 lb
Gross weight:	6.62 lb





Company name:

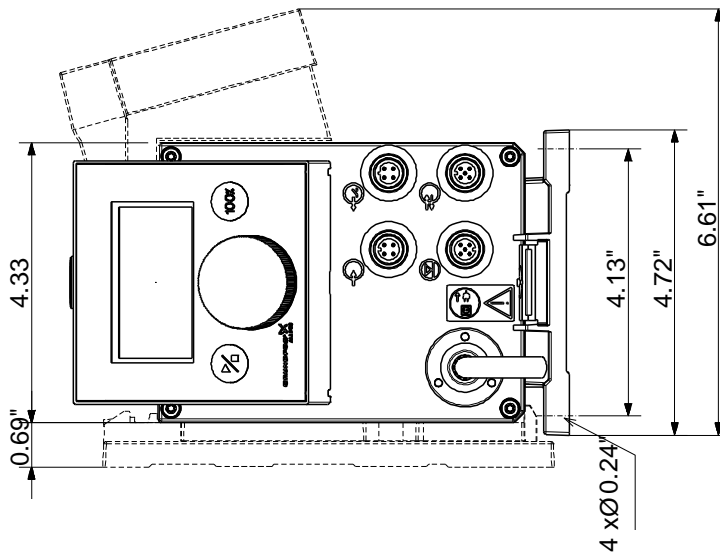
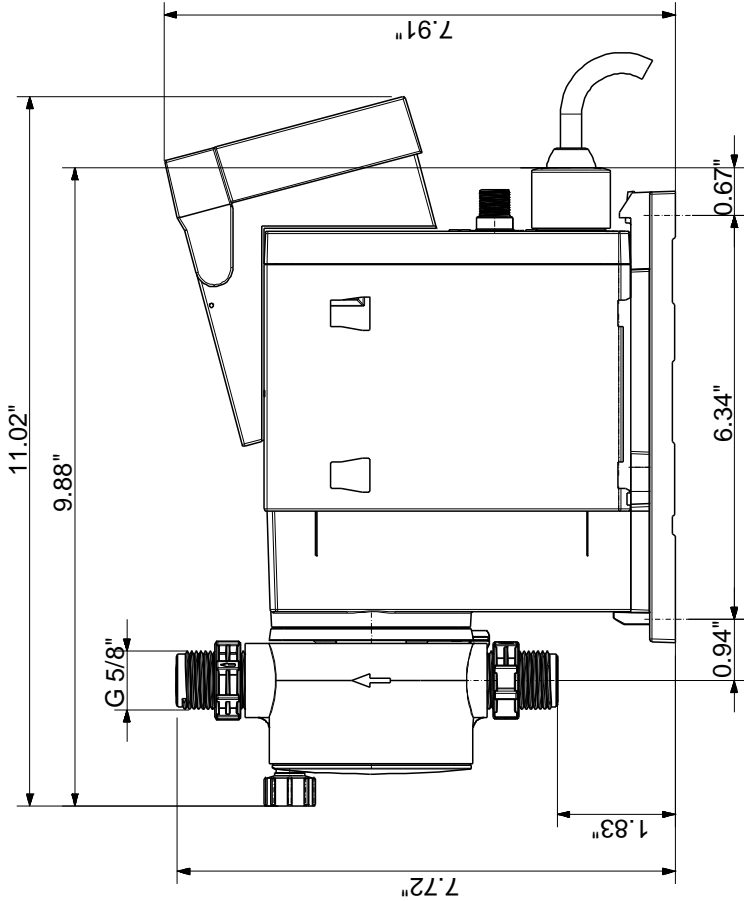
Created by:

Phone:

Date: 11/7/2018

Description	Value
COLOR:	RED
Custom tariff no.:	8413.50.0050

## On request DDA 7.5-16 60 Hz



Note! All units are in [mm] unless otherwise stated.  
Disclaimer: This simplified dimensional drawing does not show all details.