


| Position | Count | Description |
|----------|-------|---|
| | 1 | <p data-bbox="343 338 478 369">DDA 7.5-16</p> <div data-bbox="379 465 683 728" style="text-align: center;">  </div> <p data-bbox="734 723 1189 750" style="text-align: center;">Product photo could vary from the actual product</p> <p data-bbox="343 757 726 817">Product No.: 97722416 DDA 7.5-16 FC-PV/V/C-F-31I003B</p> <p data-bbox="343 846 1460 1086">The SMART Digital DDA is a compact positive displacement, diaphragm dosing pump with variable-speed drive (stepper motor) and intelligent control electronics with minimum energy consumption. The SMART Digital Dosing series operates at full stroke length to ensure optimum accuracy, priming and suction, even for high-viscosity or degassing liquids. The duration of each discharge stroke varies according to the capacity set, resulting in optimum smooth and continuous discharge flow. The click-stop mounting plate allows installation in three different positions without using any additional accessories. The control cube can be turned easily into front, left or right position. The click wheel and the multi-coloured backlit graphical, plain-text LC display make commissioning and operation intuitive. The control elements are protected by a transparent cover.</p> <p data-bbox="343 1131 1460 1332">The sensor-based FlowControl (FC) system detects malfunctions directly in the dosing head and displays them in plain text in the alarm menu, e.g. air bubbles, line burst, overpressure. The integrated flow measurement function (only FCM) measures the actual flow and makes additional monitoring and control equipment redundant (accuracy of $\pm 1,5\%$ of set value in case of trouble-free process). The measured flow is displayed and can be integrated in the process control, e.g. SCADA. Furthermore, the AutoFlowAdapt function (only FCM) automatically adjusts the pump speed according to the process conditions to maintain target flow even at e.g. varying backpressure or air bubbles foaming (degassing drive strategy).</p> <p data-bbox="343 1377 710 1411">The dosing head is composed of:</p> <ul data-bbox="379 1411 1189 1534" style="list-style-type: none"> - Long lifetime and universal, chemically resistant full-PTFE diaphragm. - Double ball valves for highest dosing accuracy. - Deaeration valve for easy start-up. - Pressure sensor. <p data-bbox="343 1556 542 1590">Operation modes:</p> <ul data-bbox="379 1590 1061 1769" style="list-style-type: none"> - Manual dosing in ml/h, l/h or gph. - Pulse control in ml/pulse (incl. memory function). - Analog control 0/4-20 mA (scalable). - Pulse-based batch function in ml, l or gal. - Timer-based batch function (Dosing timer, cycle or week). - Fieldbus control (Genibus prepared for ProfibusDP E-box). <p data-bbox="343 1792 510 1825">Other features:</p> <ul data-bbox="379 1825 1428 2094" style="list-style-type: none"> - Auto deaeration during pump standby to avoid breakdowns due to air-locking. - Two SlowMode steps (anti-cavitation), 50 % (maximum flow: 0.9906 US gal/hour) and 25 % (maximum flow: 0.4966 US gal/hour), e.g. for high-viscosity or degassing liquids. - Service information display to show when service and which wear-part order number is required. - Two-step key lock function to protect the pump against unauthorised access. - Additional display function to provide further information, e.g. the actual mA input signal. - Counter for total dosed volume (resettable), operating hours, etc. - Save and load customised settings as well as reload of factory settings. |

| Position | Count | Description |
|----------|-------|--|
| | | <p>Signal inputs/outputs:</p> <ul style="list-style-type: none"> - Input for pulse, analog 0/4-20mA, external stop. - Input for low-level and empty-tank signal. - Two potential-free output relays for max. 30 V AC/DC (configurable, e.g. alarm, stroke signal, pump dosing, timer etc.) - Output analog 0/4-20mA. - Fieldbus communication interface (GeniBus, also for additional Profibus DP E-box to retrofit). <p>Installation set includes:</p> <ul style="list-style-type: none"> - 2 pump connections (Hose 0,17x1/4" 3). - Foot valve (without level switch). - Injection unit. - 6 m PE discharge hose. - 2 m PVC suction hose. - 2 m PVC deaeration hose (4/6 mm). <p>Technical:</p> <p>Type key: DDA 7.5-16 FC-PV/V/C-F-31I003B Max. Flow: 1.981 US gal/hour Max. flow in slow mode 50%: 0.9906 US gal/hour Max. flow in slow mode 25%: 0.4966 US gal/hour Min flow: 2.5 ml/h Turn-down ratio: 1:3000 Approvals on nameplate: CE,CSA-US,NSF61,RCM Valve type: Standard Maximum viscosity at 100 %: 50 mPas Maximum viscosity in slow mode 50 %: 1800 mPas Maximum viscosity in slow mode 25 %: 2500 mPas Accuracy of repeatability: 1 %</p> <p>Materials:</p> <p>Dosing head: PVDF (Polyvinylidene fluoride) Valve ball: Ceramic Gasket: FKM</p> <p>Installation:</p> <p>Range of ambient temperature: 32 .. 113 °F Maximum operating pressure: 232 psi Installation set: YES Installation type: 0,17x1/4" up to 7,5 l/h,16bar Pump inlet: Hose 0,17x1/4" 3 Pump outlet: Hose 0,17x1/4" 3 Max. Suction lift during operation: 19.69 ft Max. Suction lift during priming: 6.562 ft</p> <p>Liquid:</p> <p>Pumped liquid: Water Liquid temperature range: 14 .. 113 °F Liquid temperature during operation: 68 °F Density: 62.29 lb/ft³</p> <p>Electrical data:</p> <p>Maximum power input - P1: 24 W Main frequency: 60 Hz Rated voltage: 1 x 100-240 V Enclosure class (IEC 34-5): IP65 / NEMA 4X Length of cable: 4.922 ft Type of cable plug: USA, Canada Inrush current: 25A at 230V for 2ms</p> |



Company name:

Created by:

Phone:

Date:

11/15/2018

| Position | Count | Description |
|----------|-------|--|
| | | <p>Controls:</p> <p>Control variant: FC Level control: YES Analog input: 0/4-20 mA Pulse control: YES Ext. Stop input: YES Analog output: 0/4-20 mA Output relays: 2 Bus communication: YES</p> <p>Others:</p> <p>Net weight: 6.62 lb Gross weight: 8.82 lb COLOR: RED Custom tariff no.: 8413.50.0050</p> |



Company name:

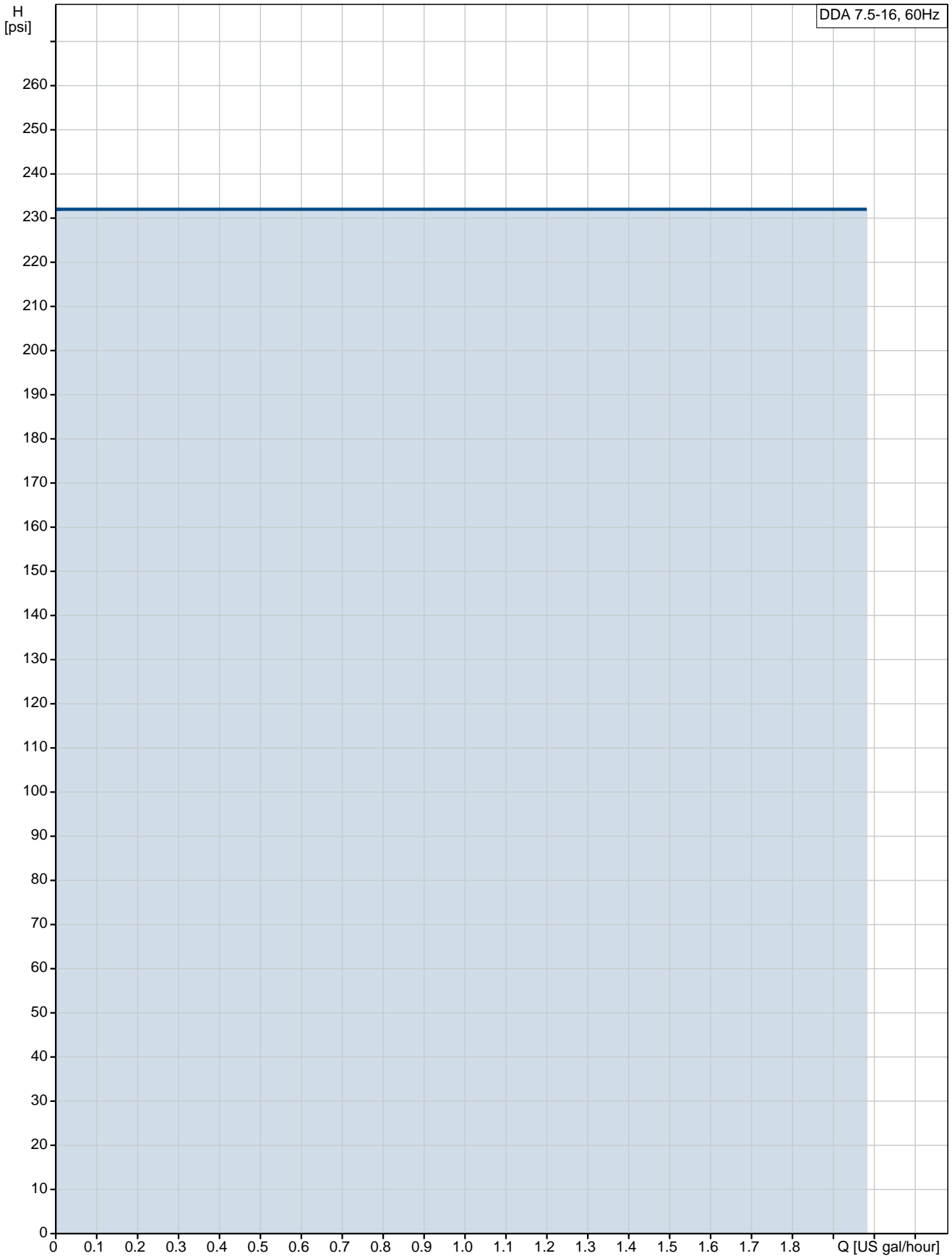
Created by:

Phone:

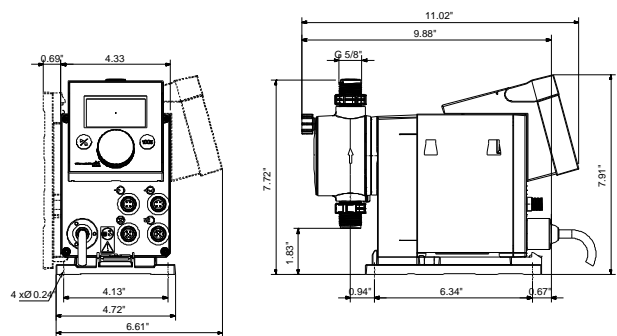
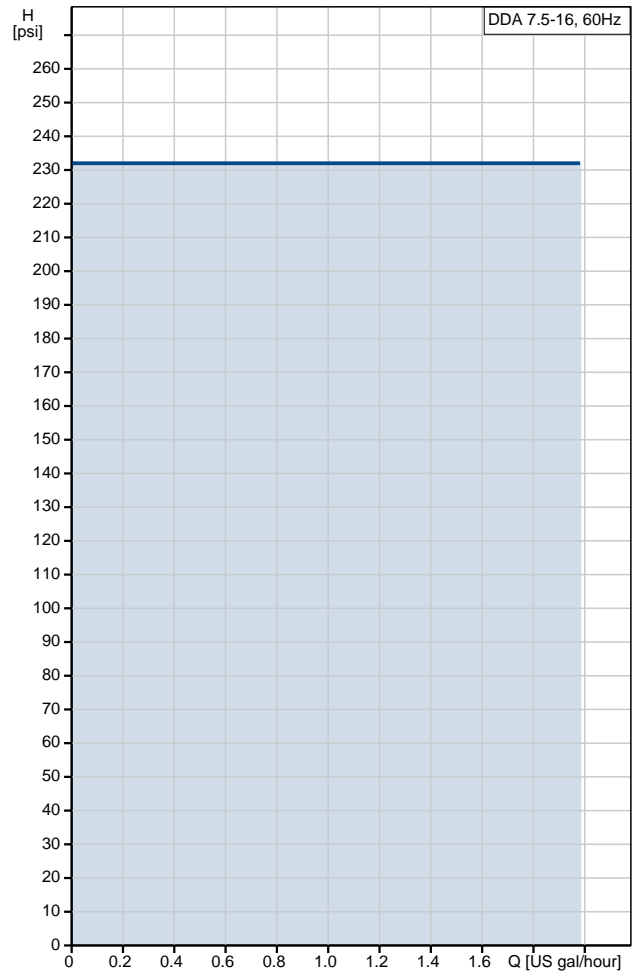
Date:

11/15/2018

97722416 DDA 7.5-16 60 Hz



| Description | Value |
|--------------------------------------|-----------------------------------|
| General information: | |
| Product name: | DDA 7.5-16 |
| Product No.: | 97722416 |
| EAN: | 5710622725582 |
| Technical: | |
| Type key: | DDA 7.5-16 FC-PV/V/C-F-31I003B |
| Max. Flow: | 1.981 US gal/hour |
| Max. flow in slow mode 50%: | 0.9906 US gal/hour |
| Max. flow in slow mode 25%: | 0.4966 US gal/hour |
| Min flow: | 2.5 ml/h |
| Turn-down ratio: | 1:3000 |
| Approvals on nameplate: | CE, CSA-US, NSF61, RCM |
| Valve type: | Standard |
| Maximum viscosity at 100 %: | 50 mPas |
| Maximum viscosity in slow mode 50 %: | 1800 mPas |
| Maximum viscosity in slow mode 25 %: | 2500 mPas |
| Accuracy of repeatability: | 1 % |
| Materials: | |
| Dosing head: | PVDF (Polyvinylidene fluoride) |
| Valve ball: | Ceramic |
| Gasket: | FKM |
| Installation: | |
| Range of ambient temperature: | 32 .. 113 °F |
| Maximum operating pressure: | 232 psi |
| Installation set: | YES |
| Installation type: | 0,17x1/4" up to 7,5 l/h, 16bar |
| Pump inlet: | Hose 0,17x1/4" 3 |
| Pump outlet: | Hose 0,17x1/4" 3 |
| Max. Suction lift during operation: | 19.69 ft |
| Max. Suction lift during priming: | 6.562 ft |
| Liquid: | |
| Pumped liquid: | Water |
| Liquid temperature range: | 14 .. 113 °F |
| Liquid temperature during operation: | 68 °F |
| Density: | 62.29 lb/ft ³ |
| Electrical data: | |
| Maximum power input - P1: | 24 W |
| Main frequency: | 60 Hz |
| Rated voltage: | 1 x 100-240 V |
| Enclosure class (IEC 34-5): | IP65 / NEMA 4X |
| Length of cable: | 4.922 ft |
| Type of cable plug: | USA, Canada |
| Inrush current: | 25A at 230V for 2ms |
| Controls: | |
| Control variant: | FC |
| Control panel: | FRONT-MOUNTED |
| Level control: | YES |
| Analog input: | 0/4-20 mA |
| Pulse control: | YES |
| Ext. Stop input: | YES |
| Analog output: | 0/4-20 mA |
| Output relays: | 2 |
| Bus communication: | YES |
| Others: | |
| Net weight: | 6.62 lb |
| Gross weight: | 8.82 lb |





Company name:

Created by:

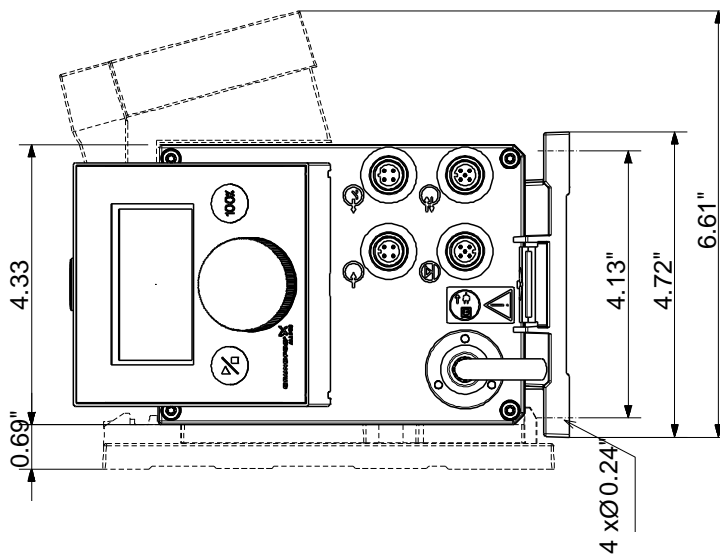
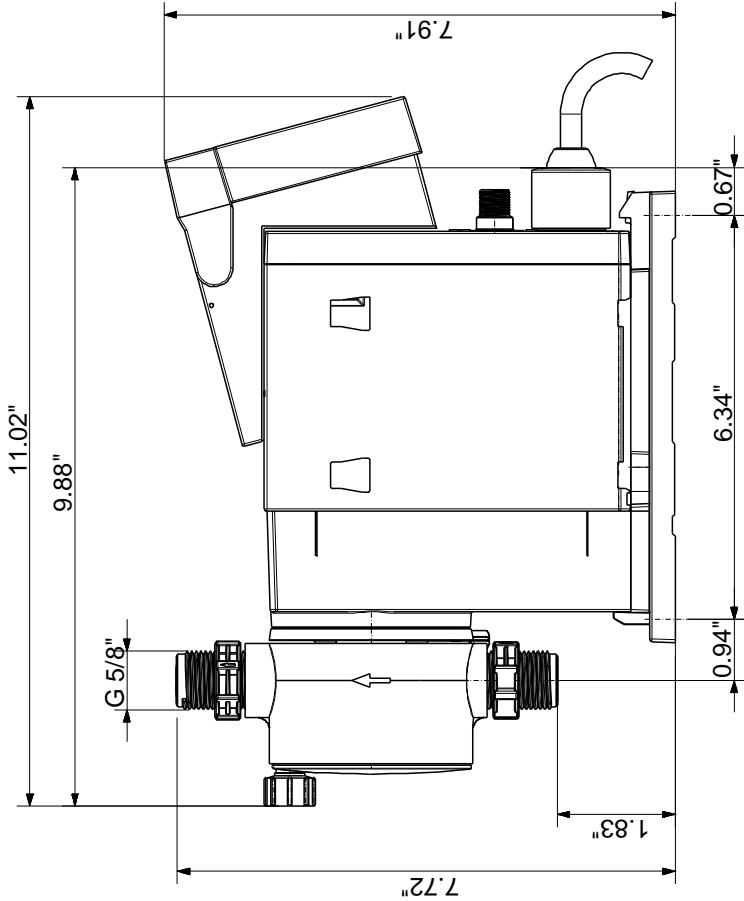
Phone:

Date:

11/15/2018

| Description | Value |
|--------------------|--------------|
| COLOR: | RED |
| Custom tariff no.: | 8413.50.0050 |

97722416 DDA 7.5-16 60 Hz



Note! All units are in [mm] unless otherwise stated.
Disclaimer: This simplified dimensional drawing does not show all details.