


Position	Count	Description
	1	<p data-bbox="341 338 469 365">DDA 12-10</p> <div data-bbox="379 465 683 725" style="text-align: center;">  </div> <p data-bbox="735 723 1190 750" style="text-align: center;">Product photo could vary from the actual product</p> <p data-bbox="341 757 738 813">Product No.: 97722476 DDA 12-10 AR-PVC/T/C-F-31I004B</p> <p data-bbox="341 844 1455 1084">The SMART Digital DDA is a compact positive displacement, diaphragm dosing pump with variable-speed drive (stepper motor) and intelligent control electronics with minimum energy consumption. The SMART Digital Dosing series operates at full stroke length to ensure optimum accuracy, priming and suction, even for high-viscosity or degassing liquids. The duration of each discharge stroke varies according to the capacity set, resulting in optimum smooth and continuous discharge flow. The click-stop mounting plate allows installation in three different positions without using any additional accessories. The control cube can be turned easily into front, left or right position. The click wheel and the multi-coloured backlit graphical, plain-text LC display make commissioning and operation intuitive. The control elements are protected by a transparent cover.</p> <p data-bbox="341 1126 711 1153">The dosing head is composed of:</p> <ul data-bbox="379 1160 1185 1245" style="list-style-type: none"> - Long lifetime and universal, chemically resistant full-PTFE diaphragm. - Double ball valves for highest dosing accuracy. - Deaeration valve for easy start-up. <p data-bbox="341 1276 544 1303">Operation modes:</p> <ul data-bbox="379 1310 1062 1482" style="list-style-type: none"> - Manual dosing in ml/h, l/h or gph. - Pulse control in ml/pulse (incl. memory function). - Analog control 0/4-20 mA (scalable). - Pulse-based batch function in ml, l or gal. - Timer-based batch function (Dosing timer, cycle or week). - Fieldbus control (Genibus prepared for ProfibusDP E-box). <p data-bbox="341 1514 512 1541">Other features:</p> <ul data-bbox="379 1547 1410 1807" style="list-style-type: none"> - Auto deaeration during pump standby to avoid breakdowns due to air-locking. - Two SlowMode steps (anti-cavitation), 50 % (maximum flow: 1.585 US gal/hour) and 25 % (maximum flow: 0.7925 US gal/hour), e.g. for high-viscosity or degassing liquids. - Service information display to show when service and which wear-part order number is required. - Two-step key lock function to protect the pump against unauthorised access. - Additional display function to provide further information, e.g. the actual mA input signal. - Counter for total dosed volume (resettable), operating hours, etc. - Save and load customised settings as well as reload of factory settings. <p data-bbox="341 1839 580 1865">Signal inputs/outputs:</p> <ul data-bbox="379 1872 1439 2045" style="list-style-type: none"> - Input for pulse, analog 0/4-20mA, external stop. - Input for low-level and empty-tank signal. - Two potential-free output relays for max. 30 V AC/DC (configurable, e.g. alarm, stroke signal, pump dosing, timer etc.) - Output analog 0/4-20mA. - Fieldbus communication interface (GeniBus, also for additional Profibus DP E-box to retrofit). <p data-bbox="341 2076 608 2103">Installation set includes:</p>

Position	Count	Description
		<ul style="list-style-type: none"> - 2 pump connections (Hose 3/8x1/2" S). - Foot valve (without level switch). - Injection unit. - 6 m PE discharge hose. - 2 m PVC suction hose. - 2 m PVC deaeration hose (4/6 mm). <p>Technical:</p> <p>Type key: DDA 12-10 AR-PVC/T/C-F-31I004B</p> <p>Max. Flow: 3.17 US gal/hour</p> <p>Max. flow in slow mode 50%: 1.585 US gal/hour</p> <p>Max. flow in slow mode 25%: 0.7925 US gal/hour</p> <p>Min flow: 12.0 ml/h</p> <p>Turn-down ratio: 1:1000</p> <p>Approvals on nameplate: CE, CSA-US, NSF61, RCM</p> <p>Valve type: Standard</p> <p>Maximum viscosity at 100 %: 300 mPas</p> <p>Maximum viscosity in slow mode 50 %: 1300 mPas</p> <p>Maximum viscosity in slow mode 25 %: 2500 mPas</p> <p>Accuracy of repeatability: 1 %</p> <p>Materials:</p> <p>Dosing head: PVC (Polyvinyl chloride)</p> <p>Valve ball: Ceramic</p> <p>Gasket: PTFE</p> <p>Installation:</p> <p>Range of ambient temperature: 32 .. 113 °F</p> <p>Maximum operating pressure: 145 psi</p> <p>Installation set: YES</p> <p>Installation type: 3/8"x1/2" up to 60 l/h, 10bar</p> <p>Pump inlet: Hose 3/8x1/2" S</p> <p>Pump outlet: Hose 3/8x1/2" S</p> <p>Max. Suction lift during operation: 19.69 ft</p> <p>Max. Suction lift during priming: 9.843 ft</p> <p>Liquid:</p> <p>Pumped liquid: Water</p> <p>Liquid temperature range: 14 .. 113 °F</p> <p>Liquid temperature during operation: 68 °F</p> <p>Density: 62.29 lb/ft³</p> <p>Electrical data:</p> <p>Maximum power input - P1: 24 W</p> <p>Main frequency: 60 Hz</p> <p>Rated voltage: 1 x 100-240 V</p> <p>Enclosure class (IEC 34-5): IP65 / NEMA 4X</p> <p>Length of cable: 4.922 ft</p> <p>Type of cable plug: USA, Canada</p> <p>Inrush current: 25A at 230V for 2ms</p> <p>Controls:</p> <p>Control variant: AR</p> <p>Level control: YES</p> <p>Analog input: 0/4-20 mA</p> <p>Pulse control: YES</p> <p>Ext. Stop input: YES</p> <p>Analog output: 0/4-20 mA</p>



Company name:

Created by:

Phone:

Date:

11/19/2018

Position	Count	Description
		Output relays: 2 Bus communication: YES
		Others: Net weight: 4.41 lb Gross weight: 6.62 lb COLOR: RED Custom tariff no.: 8413.50.0050



Company name:

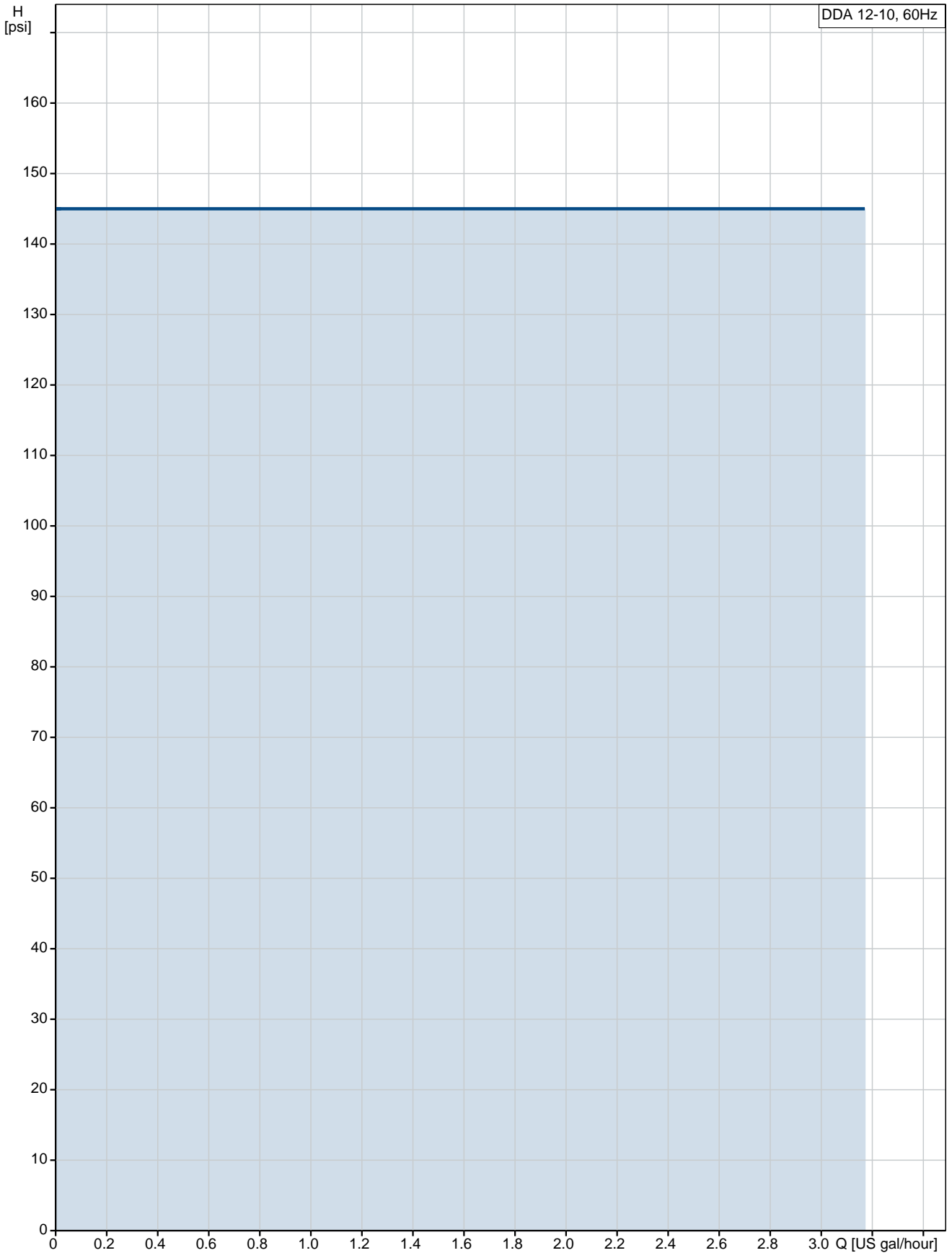
Created by:

Phone:

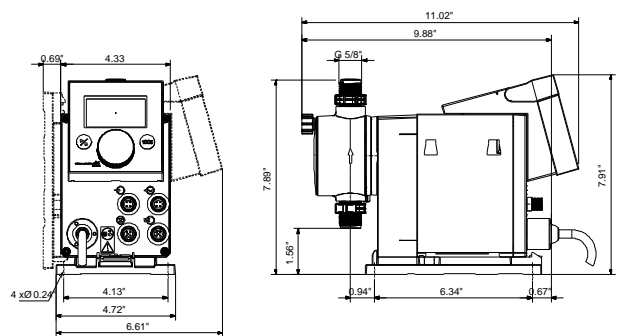
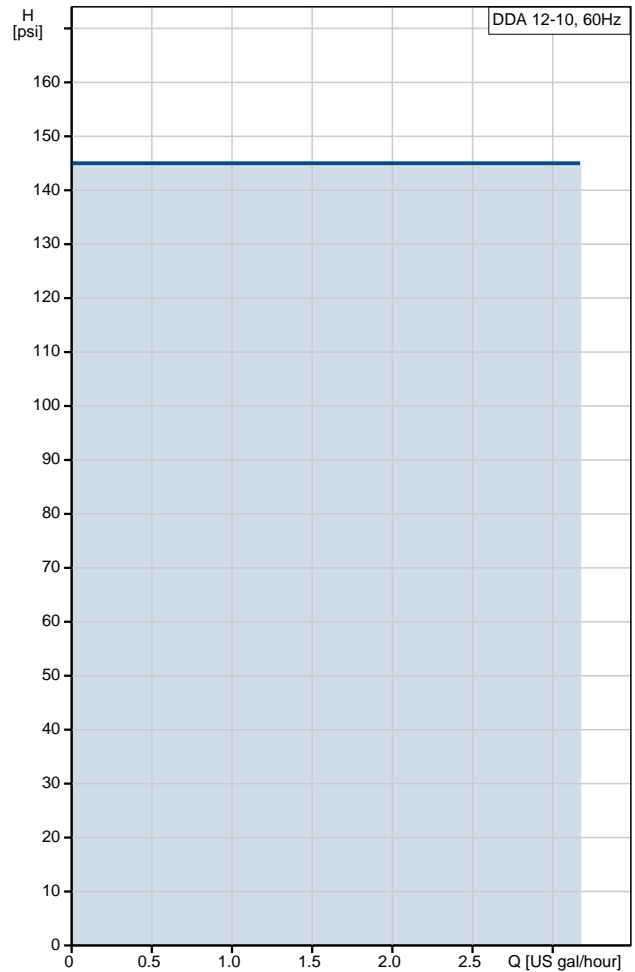
Date:

11/19/2018

97722476 DDA 12-10 60 Hz



Description	Value
General information:	
Product name:	DDA 12-10
Product No.:	97722476
EAN:	5710622726190
Technical:	
Type key:	DDA 12-10 AR-PVC/T/C-F-31I004B
Max. Flow:	3.17 US gal/hour
Max. flow in slow mode 50%:	1.585 US gal/hour
Max. flow in slow mode 25%:	0.7925 US gal/hour
Min flow:	12.0 ml/h
Turn-down ratio:	1:1000
Approvals on nameplate:	CE,CSA-US,NSF61,RCM
Valve type:	Standard
Maximum viscosity at 100 %:	300 mPas
Maximum viscosity in slow mode 50 %:	1300 mPas
Maximum viscosity in slow mode 25 %:	2500 mPas
Accuracy of repeatability:	1 %
Materials:	
Dosing head:	PVC (Polyvinyl chloride)
Valve ball:	Ceramic
Gasket:	PTFE
Installation:	
Range of ambient temperature:	32 .. 113 °F
Maximum operating pressure:	145 psi
Installation set:	YES
Installation type:	3/8"x1/2" up to 60 l/h,10bar
Pump inlet:	Hose 3/8x1/2" S
Pump outlet:	Hose 3/8x1/2" S
Max. Suction lift during operation:	19.69 ft
Max. Suction lift during priming:	9.843 ft
Liquid:	
Pumped liquid:	Water
Liquid temperature range:	14 .. 113 °F
Liquid temperature during operation:	68 °F
Density:	62.29 lb/ft³
Electrical data:	
Maximum power input - P1:	24 W
Main frequency:	60 Hz
Rated voltage:	1 x 100-240 V
Enclosure class (IEC 34-5):	IP65 / NEMA 4X
Length of cable:	4.922 ft
Type of cable plug:	USA, Canada
Inrush current:	25A at 230V for 2ms
Controls:	
Control variant:	AR
Control panel:	FRONT-MOUNTED
Level control:	YES
Analog input:	0/4-20 mA
Pulse control:	YES
Ext. Stop input:	YES
Analog output:	0/4-20 mA
Output relays:	2
Bus communication:	YES
Others:	
Net weight:	4.41 lb
Gross weight:	6.62 lb
COLOR:	RED





Company name:

Created by:

Phone:

Date:

11/19/2018

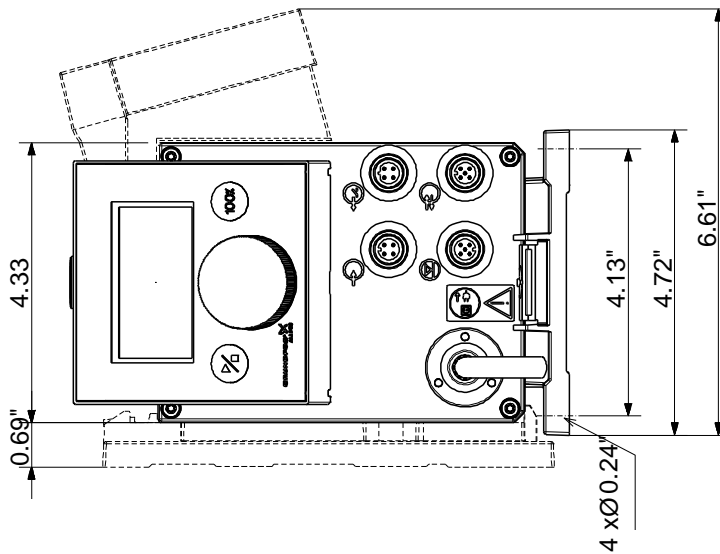
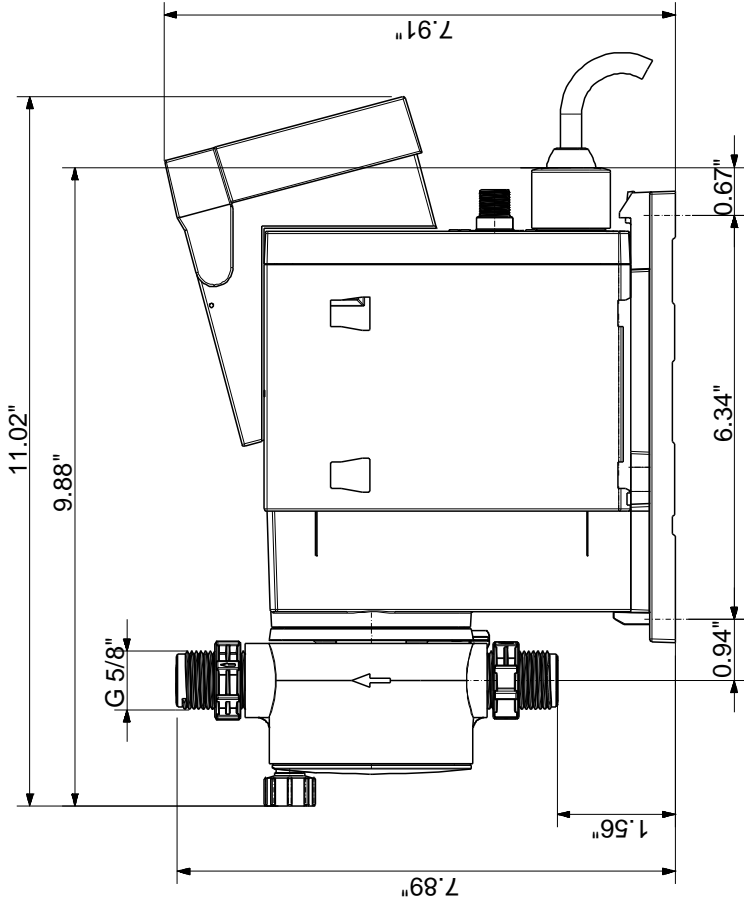
Description

Value

Custom tariff no.:

8413.50.0050

97722476 DDA 12-10 60 Hz



Note! All units are in [mm] unless otherwise stated.
Disclaimer: This simplified dimensional drawing does not show all details.