

PROJECT: _____	UNIT TAG: _____	QUANTITY: _____
REPRESENTATIVE: _____	TYPE OF SERVICE: _____	DATE: _____
ENGINEER: _____	SUBMITTED BY: _____	DATE: _____
CONTRACTOR: _____	APPROVED BY: _____	DATE: _____
	ORDER NO.: _____	DATE: _____

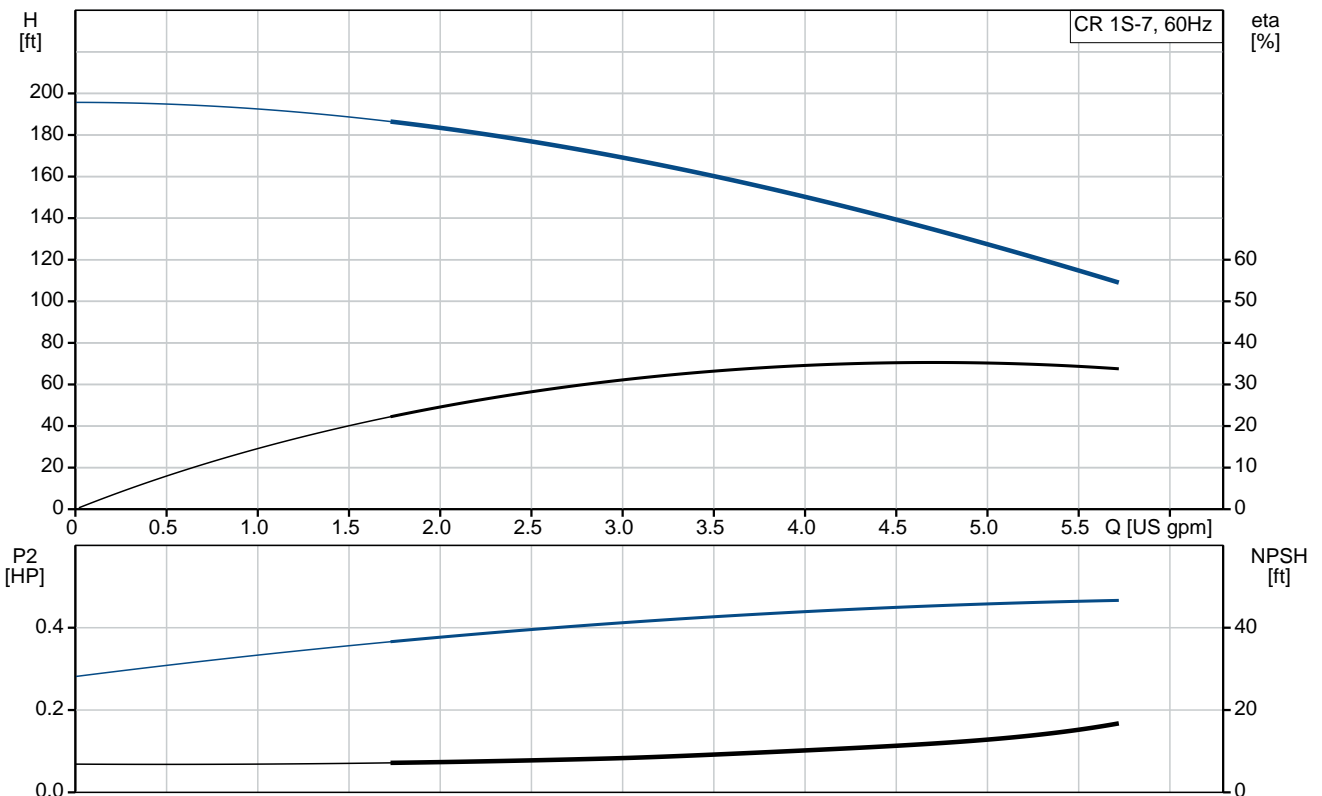
### CR 1S-7 A-B-A-E-HQQE

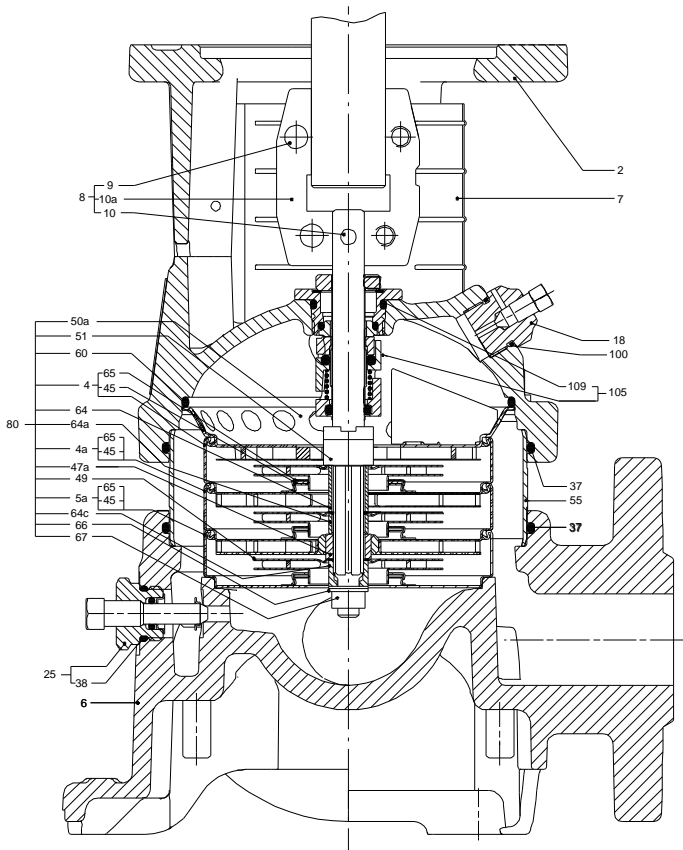
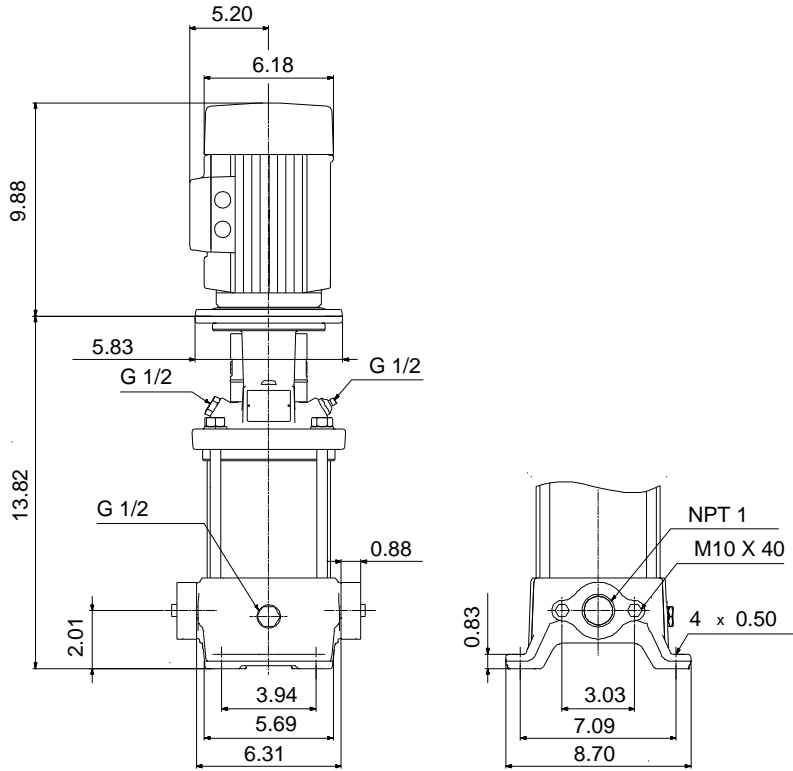


Vertical, multistage centrifugal pump with suction and discharge ports on the same level. The pump head and base are in cast iron. All other wetted parts are in stainless steel (EN 1.4301)(AISI 304)

Product photo could vary from the actual product


Conditions of Service	Pump Data	Motor Data
Flow: _____	Max pressure at stated temperature: 232 psi / 250 °F	Rated power - P2: 0.5 HP
Head: _____	Liquid temperature range: -4 .. 248 °F	Rated voltage: 115/230 V
Efficiency: _____	Maximum ambient temperature: 104 °F	Main frequency: 60 Hz
Liquid: Water	Approvals: CURUS,NSF61	Enclosure class: 54 Dust/Splashing
Temperature: 68 °F	Shaft seal: HQQE	Insulation class: B
NPSH required: ft	Product number: 96080885	Motor type: Baldor
Viscosity: _____		
Specific Gravity: 1.000		





**Materials:**

- Base: Cast iron  
EN 1561 EN-GJL-200  
ASTM A48-25B
- Impeller: Stainless steel  
AISI 304  
EN 1.4301
- Material code: A
- Code for rubber: E

Position	Count	Description
	1	<p><b>CR 1S-7 A-B-A-E-HQQE</b></p>  <p>Product No.: <a href="#">96080885</a>            Vertical, non-self-priming, multistage, in-line, centrifugal pump for installation in pipe systems and mounting on a foundation.</p> <p>The pump has the following characteristics:</p> <ul style="list-style-type: none"> <li>- Impellers and intermediate chambers are made of</li> <li>- The shaft seal has assembly length according to EN 12756.</li> <li>- Power transmission is via cast iron split coupling.</li> </ul> <p>The motor is a 1-phase AC motor.</p> <p>Controls:            Frequency converter: NONE</p> <p><b>Liquid:</b>            Pumped liquid: Water            Liquid temperature range: -4 .. 248 °F            Liquid temperature during operation: 68 °F            Density: 62.29 lb/ft<sup>3</sup></p> <p><b>Technical:</b>            Rated pump speed: 3443 rpm            Rated flow: 4.84 US gpm            Rated head: 130.6 ft            Pump orientation: Vertical            Shaft seal arrangement: Single            Code for shaft seal: HQQE            Approvals on nameplate: CURUS,NSF61            Curve tolerance: ISO9906:2012 3B</p> <p><b>Materials:</b>            Base: Cast iron                      EN 1561 EN-GJL-200                      ASTM A48-25B            Impeller: Stainless steel                      EN 1.4301                      AISI 304            Bearing: SIC</p> <p><b>Installation:</b>            Maximum ambient temperature: 104 °F            Maximum operating pressure: 232 psi            Max pressure at stated temperature: 232 psi / 250 °F              232 psi / -4 °F            Type of connection: Oval / NPT(F)</p>



Company name:

Created by:

Phone:

Date:

11/15/2018

Position	Count	Description
		Size of suction port: 1 inch Size of outlet port: 1 inch Pressure rating for pipe connection: PN 16 Flange size for motor: 56C
		<b>Electrical data:</b> Motor standard: NEMA Motor type: Baldor Rated power - P2: 0.5 HP Power (P2) required by pump: 0.5 HP Main frequency: 60 Hz Rated voltage: 1 x 115/230 V Service factor: 1.60 Rated current: 7.4/3.7 A Rated speed: 3450 rpm Number of poles: 2 Enclosure class (IEC 34-5): 54 Dust/Splashing Insulation class (IEC 85): B
		<b>Others:</b> Net weight: 55.9 lb Gross weight: 66.9 lb Shipping volume: 4.94 ft <sup>3</sup> Country of origin: US Custom tariff no.: 8413.70.2040



Company name:

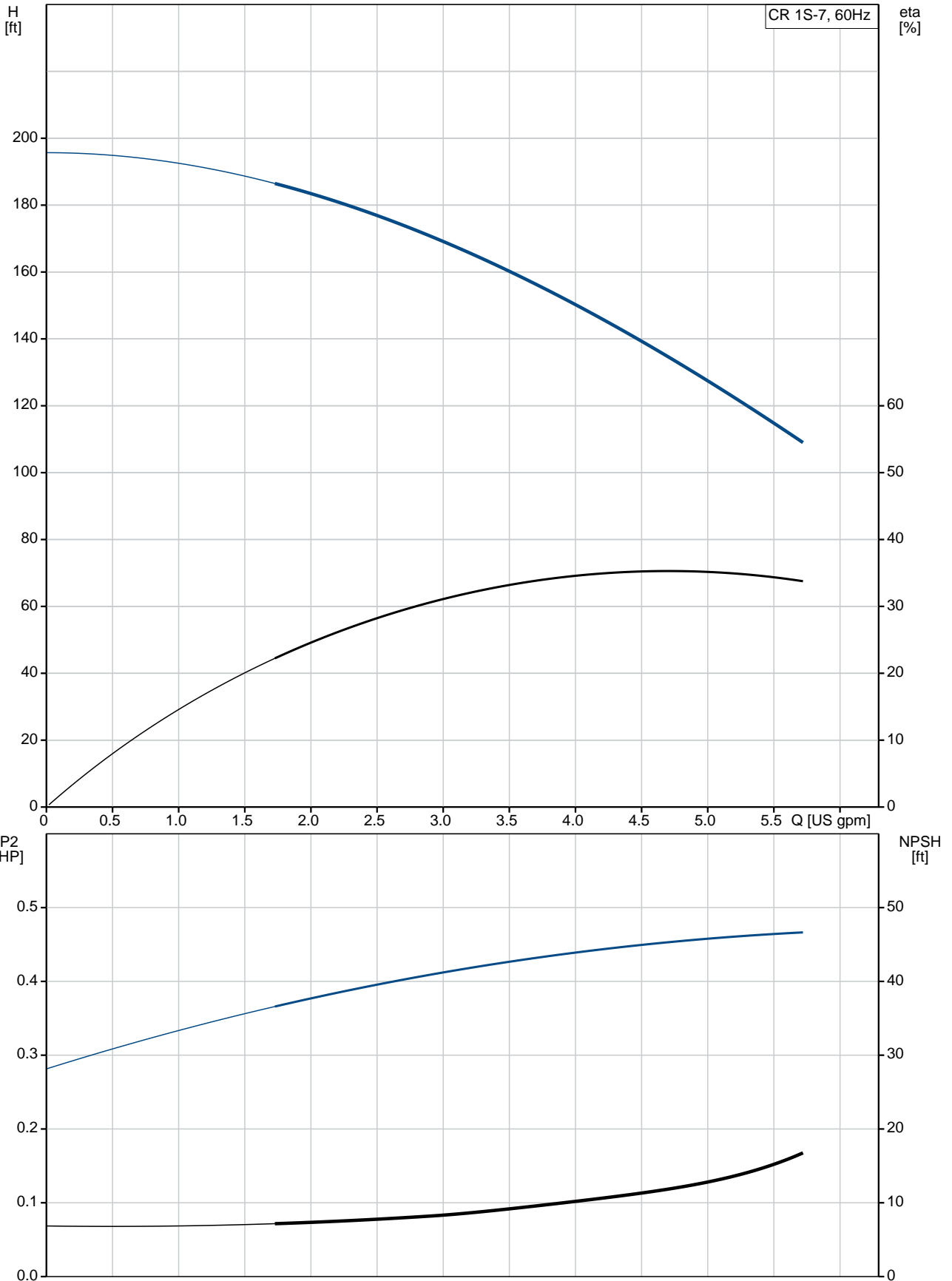
Created by:

Phone:

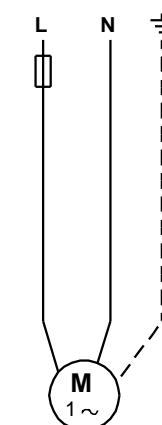
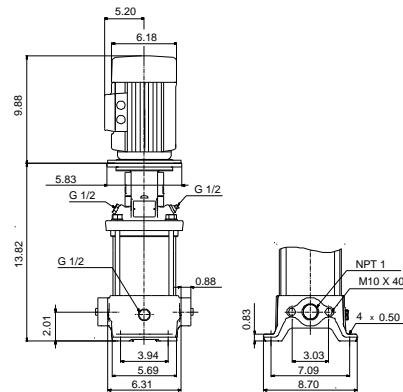
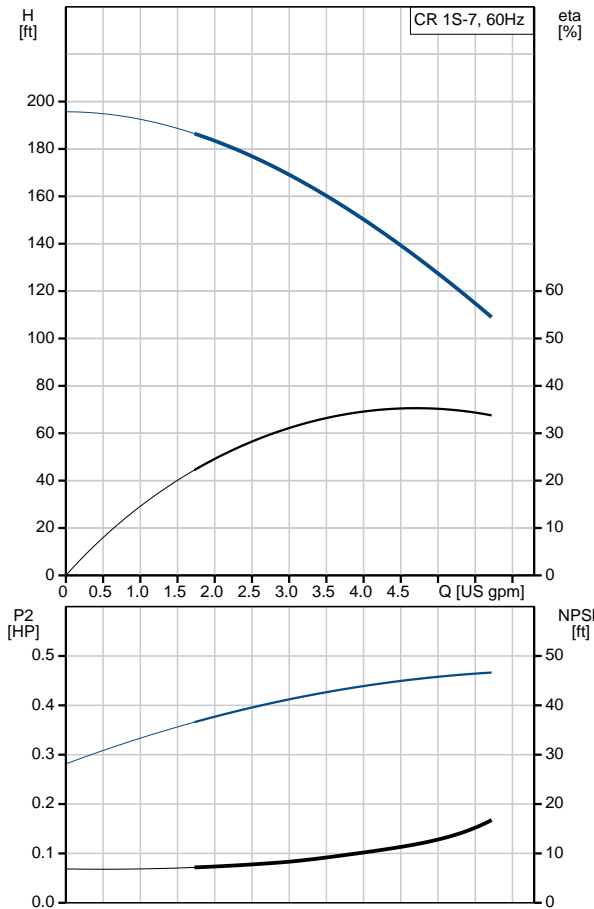
Date:

11/15/2018

### 96080885 CR 1S-7 A-B-A-E-HQQE 60 Hz



Description	Value
<b>General information:</b>	
Product name:	CR 1S-7 A-B-A-E-HQQE
Product No.:	96080885
EAN:	5700395153439
<b>Technical:</b>	
Rated pump speed:	3443 rpm
Rated flow:	4.84 US gpm
Rated head:	130.6 ft
Head max:	194.2 ft
Stages:	7
Impellers:	7
Number of reduced-diameter impellers:	0
Low NPSH:	N
Pump orientation:	Vertical
Shaft seal arrangement:	Single
Code for shaft seal:	HQQE
Approvals on nameplate:	CURUS,NSF61
Curve tolerance:	ISO9906:2012 3B
Pump version:	A
Model:	A
Cooling:	TEFC
<b>Materials:</b>	
Base:	Cast iron
	EN 1561 EN-GJL-200
	ASTM A48-25B
Impeller:	Stainless steel
	EN 1.4301
	AISI 304
Material code:	A
Code for rubber:	E
Bearing:	SIC
<b>Installation:</b>	
Maximum ambient temperature:	104 °F
Maximum operating pressure:	232 psi
Max pressure at stated temperature:	232 psi / 250 °F
	232 psi / -4 °F
Type of connection:	Oval / NPT(F)
Size of suction port:	1 inch
Size of outlet port:	1 inch
Pressure rating for pipe connection:	PN 16
Flange size for motor:	56C
Connect code:	B
<b>Liquid:</b>	
Pumped liquid:	Water
Liquid temperature range:	-4 .. 248 °F
Liquid temperature during operation:	68 °F
Density:	62.29 lb/ft³
<b>Electrical data:</b>	
Motor standard:	NEMA
Motor type:	Baldor
Rated power - P2:	0.5 HP
Power (P2) required by pump:	0.5 HP
Main frequency:	60 Hz
Rated voltage:	1 x 115/230 V
Service factor:	1.60
Rated current:	7.4/3.7 A
Load current:	9.8/4.9 A
Rated speed:	3450 rpm





Company name:

Created by:

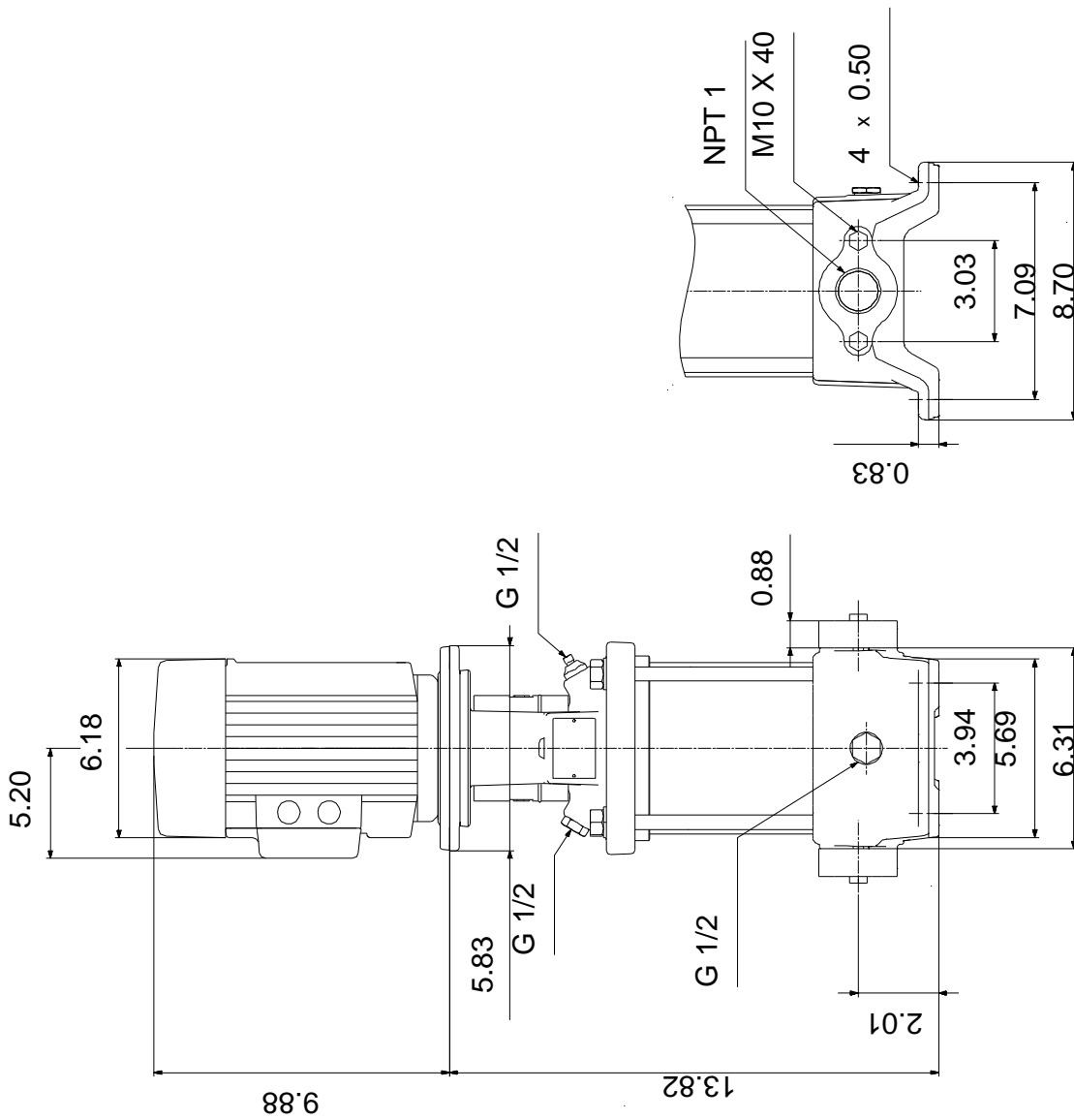
Phone:

Date:

11/15/2018

Description	Value
Number of poles:	2
Enclosure class (IEC 34-5):	54 Dust/Splashing
Insulation class (IEC 85):	B
Motor Number:	85700002
<b>Controls:</b>	
Frequency converter:	NONE
<b>Others:</b>	
Net weight:	55.9 lb
Gross weight:	66.9 lb
Shipping volume:	4.94 ft <sup>3</sup>
Country of origin:	US
Custom tariff no.:	8413.70.2040

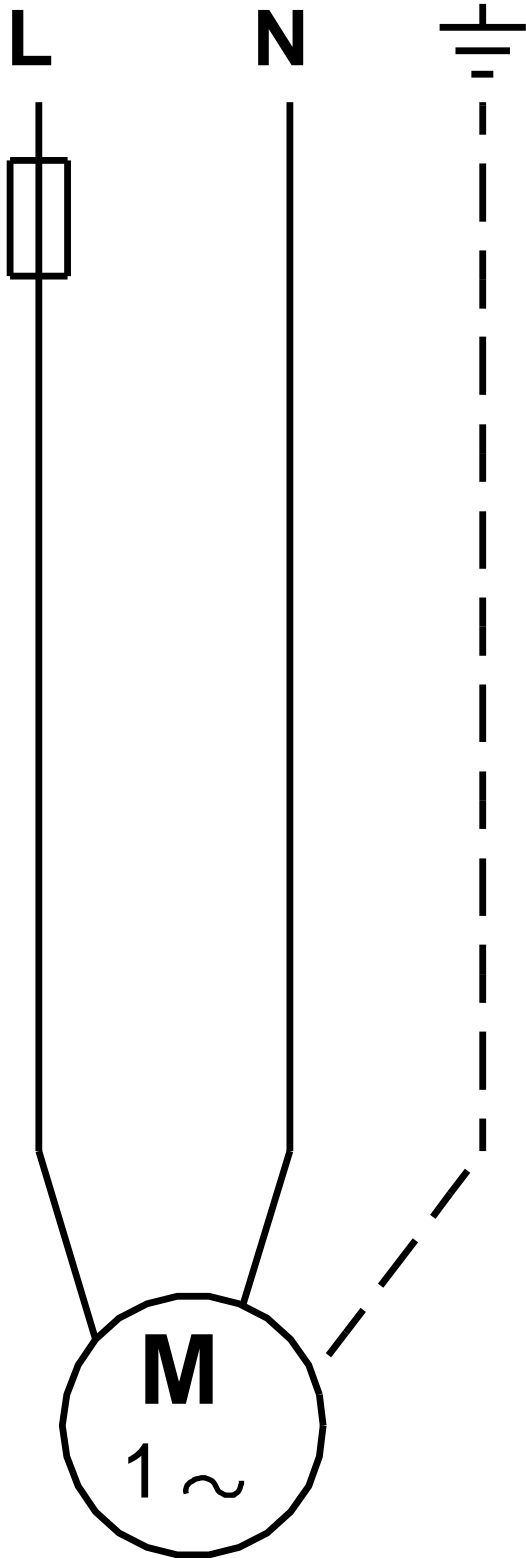
**96080885 CR 1S-7 A-B-A-E-HQQE 60 Hz**



Note! All units are in [mm] unless otherwise stated.  
 Disclaimer: This simplified dimensional drawing does not show all details.



**96080885 CR 1S-7 A-B-A-E-HQQE 60 Hz**



All units are [mm] unless otherwise presented.