

Customer	Date	19.02.2020
Contact	Project	
Phone number	Project no.	
Email		

# 2ST1H4E4

## Operating data

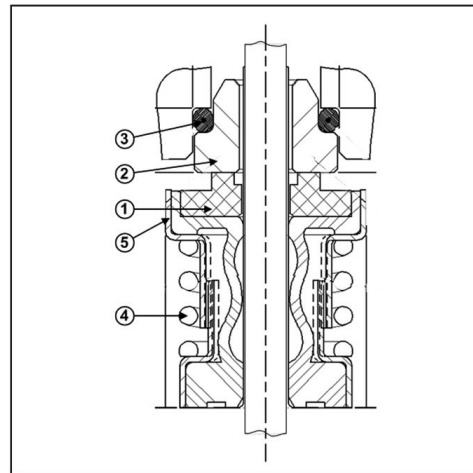
Pump type	End Suction Pumps	Fluid	Water
No. of pumps / Reserve	1 / 0	Operating temperature t A	°F 39.2
Nominal flow	US g.p.m. 0	pH-value at t A	7
Nominal head	ft 0	Density at t A	lb/ft <sup>3</sup> 62.4
Static head	ft 0	Kin. viscosity at t A	ft <sup>2</sup> /s 1.689E-5
Inlet pressure	psi 0	Vapor pressure at t A	psi 14.5
Environmental temperature	°F 68	Solids	0
Available system NPSH	ft 0	Altitude	ft 0

## Pump data

Make	Goulds Water Technology	Nominal	US g.p.m. ( )
Speed	rpm 3500	Flow	Max- US g.p.m. 112
No. of stages	1		Min- US g.p.m.
Max. casing pressure	psi	Nominal	ft
Max. working pressure	psi 42.9	Head	at Qmax ft 57
Head H(Q=0)	ft 99		at Qmin ft 99
Weight	lb On demand	Shaft power	hp ( )
	Max. inch 6 1/8	Max. shaft power	hp 2.8
Impeller R	designed inch 5 1/16	Efficiency	%
	Min. inch 4	NPSH 3%	ft

## Shaft Seal

Type 21 NPE	John Crane
NPE Mechanical Seal	
1 - Rotating Face	Carbon
2 - Stationary Face	Silicon Carbide
3 - Elastomers	Viton
4 - Metal Components	ALSI 316 SS



## Motor data

Manufacturer	Bluffton	Electric voltage	230 V	Speed	3500 rpm	Insulation class	B
Specific design	1ph TEFC			Frame size	56J	Colour	RAL 5010
Type		Electric current	0 A				
Rated power	3 hp	Degree of protection	IP 55				

## Remarks:

Customer	Date	19.02.2020
Contact	Project	
Phone number	Project no.	
Email		

# 2ST1H4E4

## Pump Materials

100-Casing	AISI 316L SS
101-Impeller	AISI 316L SS
108-Motor adapter	AISI 316L SS
108A-Motor adapter seal vent/flush	AISI 316L SS
123-Deflector	BUNA-N
184-Seal housing	AISI 316L SS
184 A-Seal housing seal vent/flush	AISI 316L SS
347-Guidevane	AISI 316L SS
349-Seal ring, guidevane	Viton
370-Socket head screws, casing	AISI 410 SS
371-Bolts, motor	Plated Steel
408-Drain and vent plug, casing	AISI 316L SS
412B-O-ring, drain and vent plug	Viton
513-O-ring, casing	Viton
Motor-NEMA standard, 56J flange	-

Remarks:

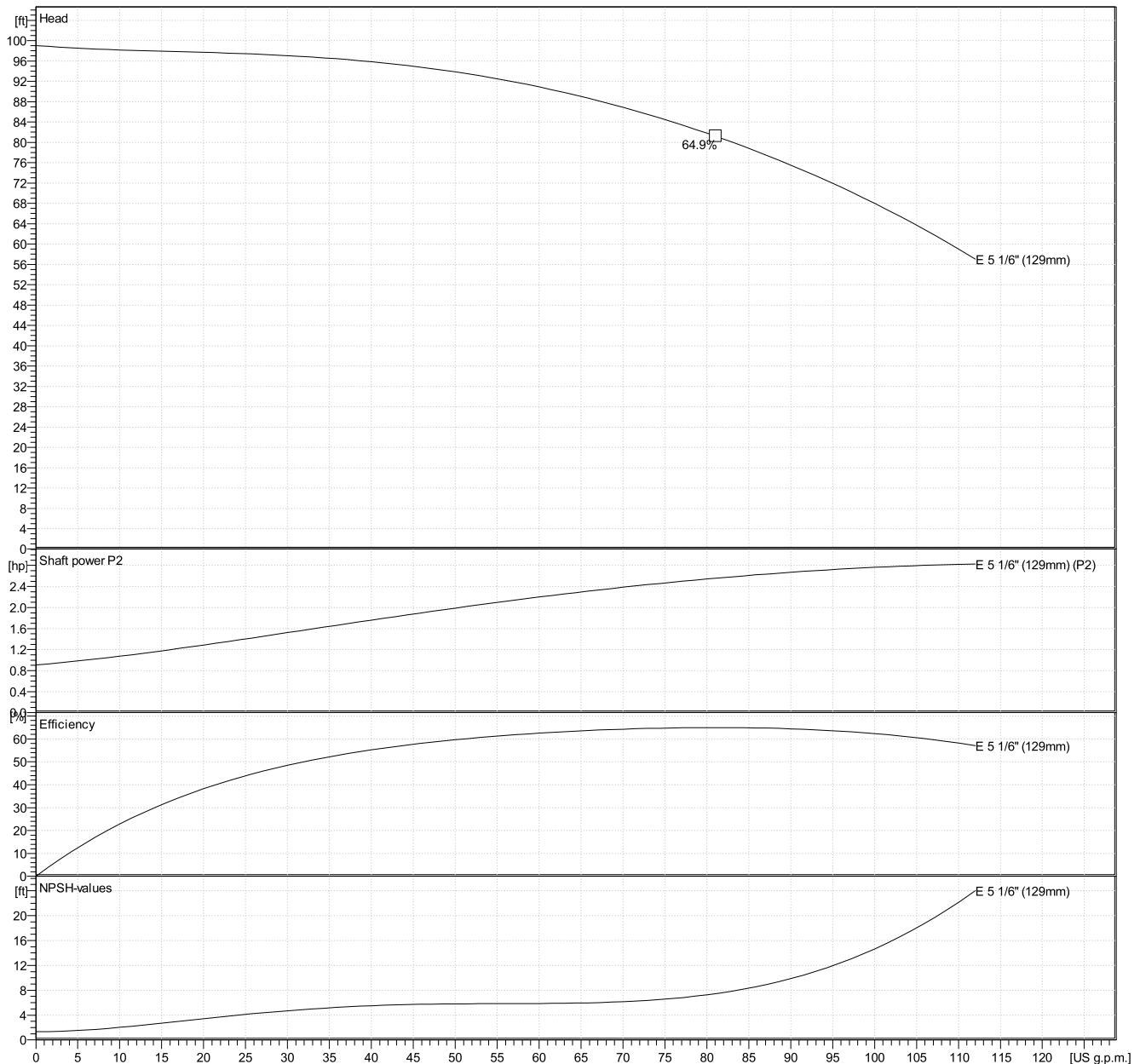
Customer	Date	19.02.2020
Contact	Project	
Phone number	Project no.	
Email		

# 2ST1H4E4

## Hydraulic Data

Operating Data Specification		Hydraulic data (duty point)		Impeller design	
Flow	0 US g.p.m.	Flow		Impeller R	5 <sup>1</sup> / <sub>16</sub> "
Head	0 ft	Head		Frequency	60 Hz
Static head	0 ft			Speed	3500 rpm

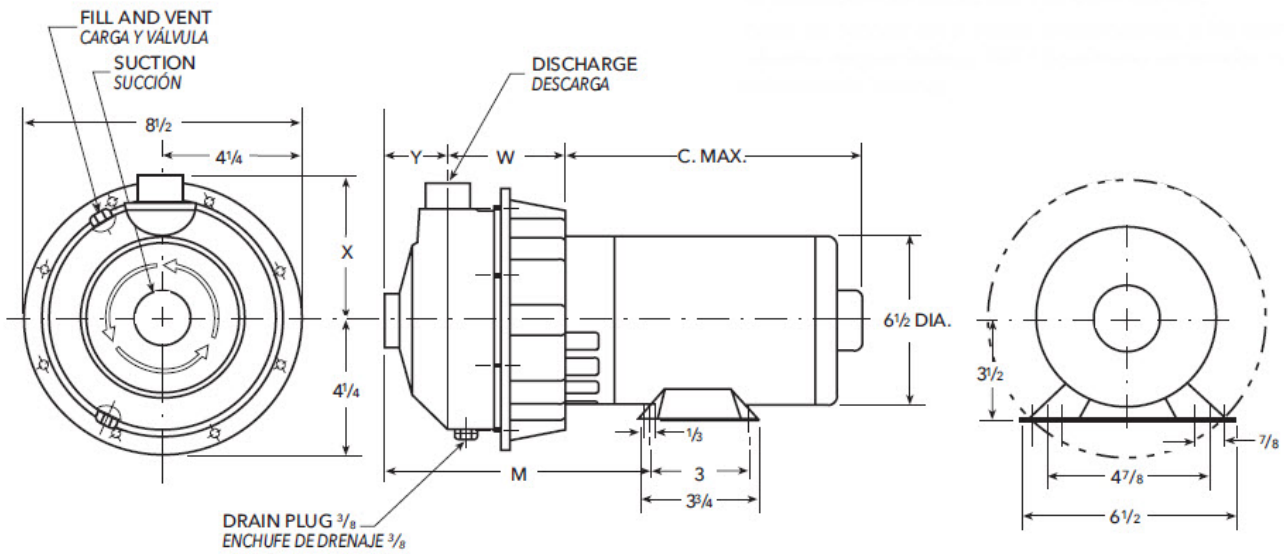
Power data referred to:  
Water [100%] ; 39.2°F; 62.4lb/ft<sup>3</sup>; 1.69E-5ft<sup>2</sup>/s  
Performance according to ISO 9906 - Annex A



Customer	Date	19.02.2020
Contact	Project	
Phone number	Project no.	
Email		

# 2ST1H4E4

## Drawing



## Dimensions inch

C. Max	$13\frac{9}{16}$					Weight On demand
Discharge	$1\frac{1}{4}$					
M	$7\frac{7}{8}$					
Suction	$1\frac{1}{2}$					
W	$3\frac{3}{4}$					
X	$4\frac{1}{2}$					
Y	$2\frac{1}{8}$					