

PROJECT: _____	UNIT TAG: _____	QUANTITY: _____
REPRESENTATIVE: _____	TYPE OF SERVICE: _____	DATE: _____
ENGINEER: _____	SUBMITTED BY: _____	DATE: _____
CONTRACTOR: _____	APPROVED BY: _____	DATE: _____
	ORDER NO.: _____	DATE: _____

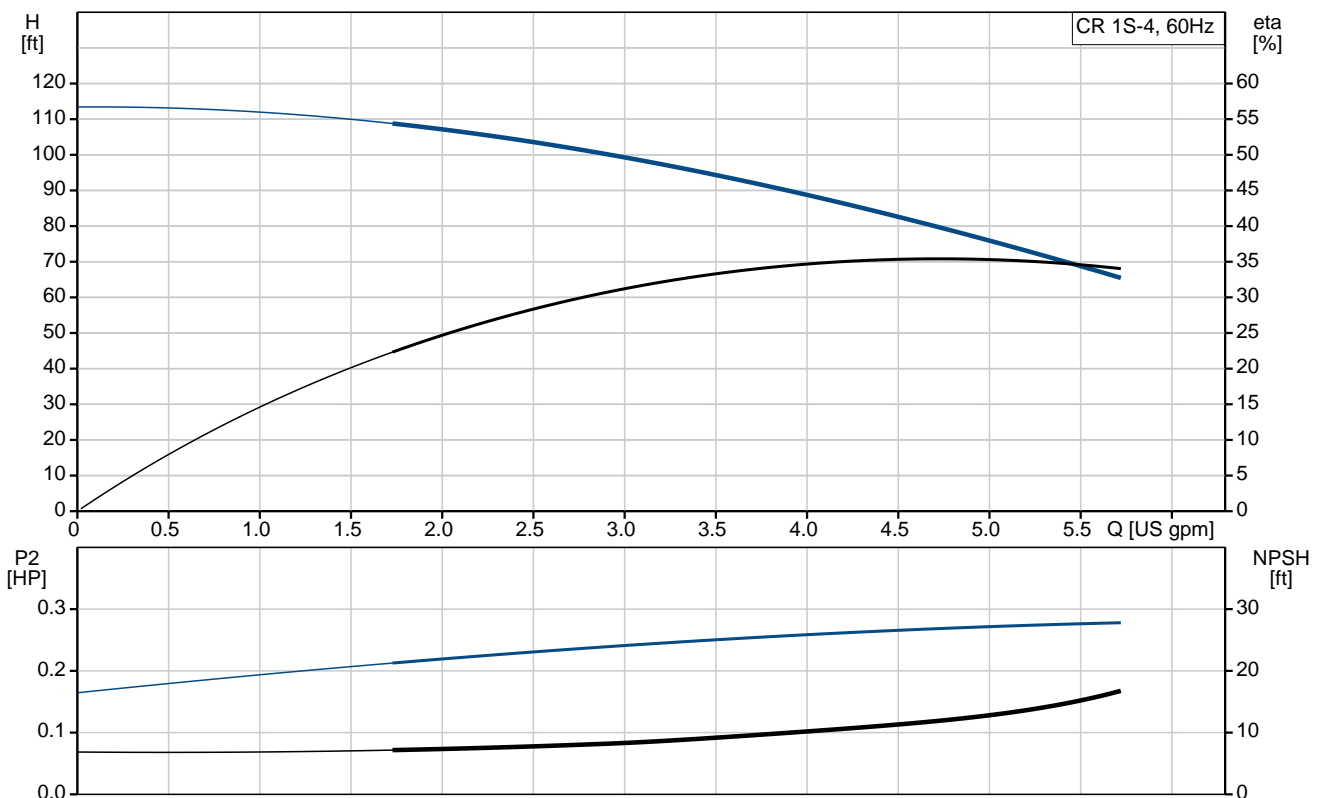


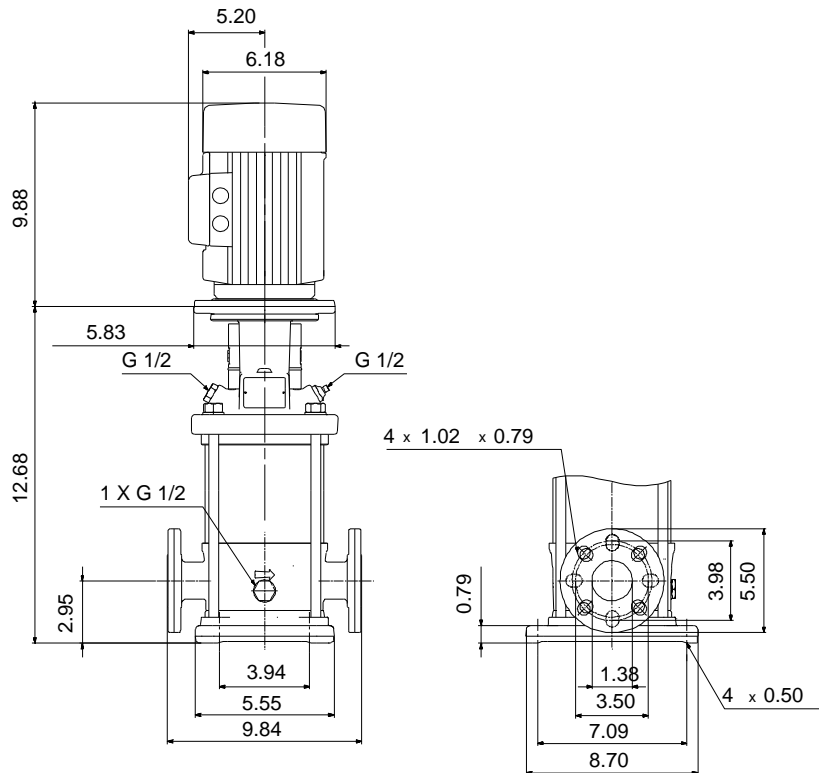
CR 1S-4 A-FGJ-A-E-HQQE

Vertical, multistage centrifugal pump with suction and discharge ports on the same level. The pump head and base are in cast iron. All other wetted parts are in stainless steel (EN 1.4301)(AISI 304)

Product photo could vary from the actual product

Conditions of Service	Pump Data	Motor Data
Flow: _____	Max pressure at stated temperature: 363 psi / 250 °F	Rated power - P2: 0.33 HP
Head: _____	Liquid temperature range: -4 .. 248 °F	Rated voltage: 115/230 V
Efficiency: _____	Maximum ambient temperature: 104 °F	Main frequency: 60 Hz
Liquid: Water	Approvals: CURUS,NSF61	Insulation class: B
Temperature: 68 °F	Shaft seal: HQQE	Motor type: Baldor
NPSH required: ft	Product number: 96081024	
Viscosity: _____		
Specific Gravity: 1.000		






Materials:

Base: Cast iron
 EN 1561 EN-GJL-200
 ASTM A48-25B

Impeller: Stainless steel
 AISI 304
 EN 1.4301

Material code: A
 Code for rubber: E

Count	Description
1	<p data-bbox="225 338 536 367">CR 1S-4 A-FGJ-A-E-HQQE</p> <div data-bbox="363 387 464 629" style="text-align: center;">  </div> <p data-bbox="225 660 491 689">Product No.: 96081024</p> <p data-bbox="225 689 748 779">Vertical, non-self-priming, multistage, in-line, centrifugal pump for installation in pipe systems and mounting on a foundation.</p> <p data-bbox="225 808 702 837">The pump has the following characteristics:</p> <ul data-bbox="264 837 850 958" style="list-style-type: none"> - Impellers and intermediate chambers are made of - The shaft seal has assembly length according to EN 12756. - Power transmission is via cast iron split coupling. <p data-bbox="225 1014 600 1043">The motor is a 1-phase AC motor.</p> <p data-bbox="225 1077 327 1106">Controls:</p> <p data-bbox="225 1106 660 1135">Frequency converter: NONE</p> <p data-bbox="225 1167 311 1196">Liquid:</p> <p data-bbox="225 1196 660 1225">Pumped liquid: Water</p> <p data-bbox="225 1225 715 1254">Liquid temperature range: -4 .. 248 °F</p> <p data-bbox="225 1254 708 1283">Liquid temperature during operation: 68 °F</p> <p data-bbox="225 1283 708 1312">Density: 62.29 lb/ft³</p> <p data-bbox="225 1344 349 1373">Technical:</p> <p data-bbox="225 1373 695 1402">Rated pump speed: 3436 rpm</p> <p data-bbox="225 1402 735 1431">Rated flow: 4.84 US gpm</p> <p data-bbox="225 1431 676 1460">Rated head: 77.76 ft</p> <p data-bbox="225 1460 673 1489">Pump orientation: Vertical</p> <p data-bbox="225 1489 660 1518">Shaft seal arrangement: Single</p> <p data-bbox="225 1518 660 1547">Code for shaft seal: HQQE</p> <p data-bbox="225 1547 759 1576">Approvals on nameplate: CURUS,NSF61</p> <p data-bbox="225 1576 788 1606">Curve tolerance: ISO9906:2012 3B</p> <p data-bbox="225 1637 343 1666">Materials:</p> <p data-bbox="225 1666 831 1756">Base: Cast iron EN 1561 EN-GJL-200 ASTM A48-25B</p> <p data-bbox="225 1756 751 1845">Impeller: Stainless steel EN 1.4301 AISI 304</p> <p data-bbox="225 1845 632 1874">Bearing: SIC</p> <p data-bbox="225 1906 367 1935">Installation:</p> <p data-bbox="225 1935 663 1964">Maximum ambient temperature: 104 °F</p> <p data-bbox="225 1964 673 1993">Maximum operating pressure: 363 psi</p> <p data-bbox="225 1993 828 2054">Max pressure at stated temperature: 363 psi / 250 °F 363 psi / -4 °F</p> <p data-bbox="225 2054 767 2083">Type of connection: DIN / ANSI / JIS</p>



Company name:

Created by:

Phone:

Date:

12/31/2018

Count	Description
	Size of inlet connection: DN 25/32
	Size of suction port: 1 1/4 inch
	Size of outlet connection: DN 25/32
	Size of outlet port: 1 1/4 inch
	Pressure rating for pipe connection: PN 25
	Flange rating inlet: 250 lb
	Flange size for motor: 56C
	Electrical data:
	Motor standard: NEMA
	Motor type: Baldor
	Rated power - P2: 0.33 HP
	Power (P2) required by pump: 0.33 HP
	Main frequency: 60 Hz
	Rated voltage: 1 x 115/230 V
	Service factor: 1.35
	Rated current: 6.00/3.00 A
	Rated speed: 3450 rpm
	Number of poles: 2
	Insulation class (IEC 85): B
	Others:
	Net weight: 59.1 lb
	Gross weight: 70.1 lb
	Shipping volume: 4.94 ft ³
	Country of origin: US
	Custom tariff no.: 8413.70.2040



Company name:

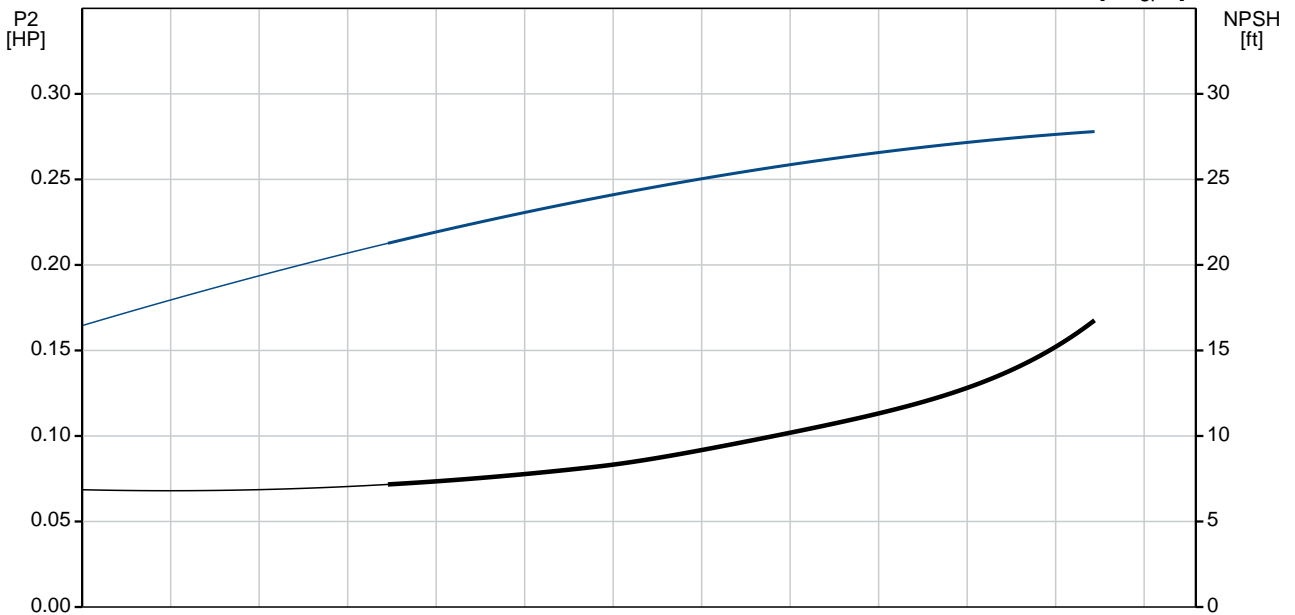
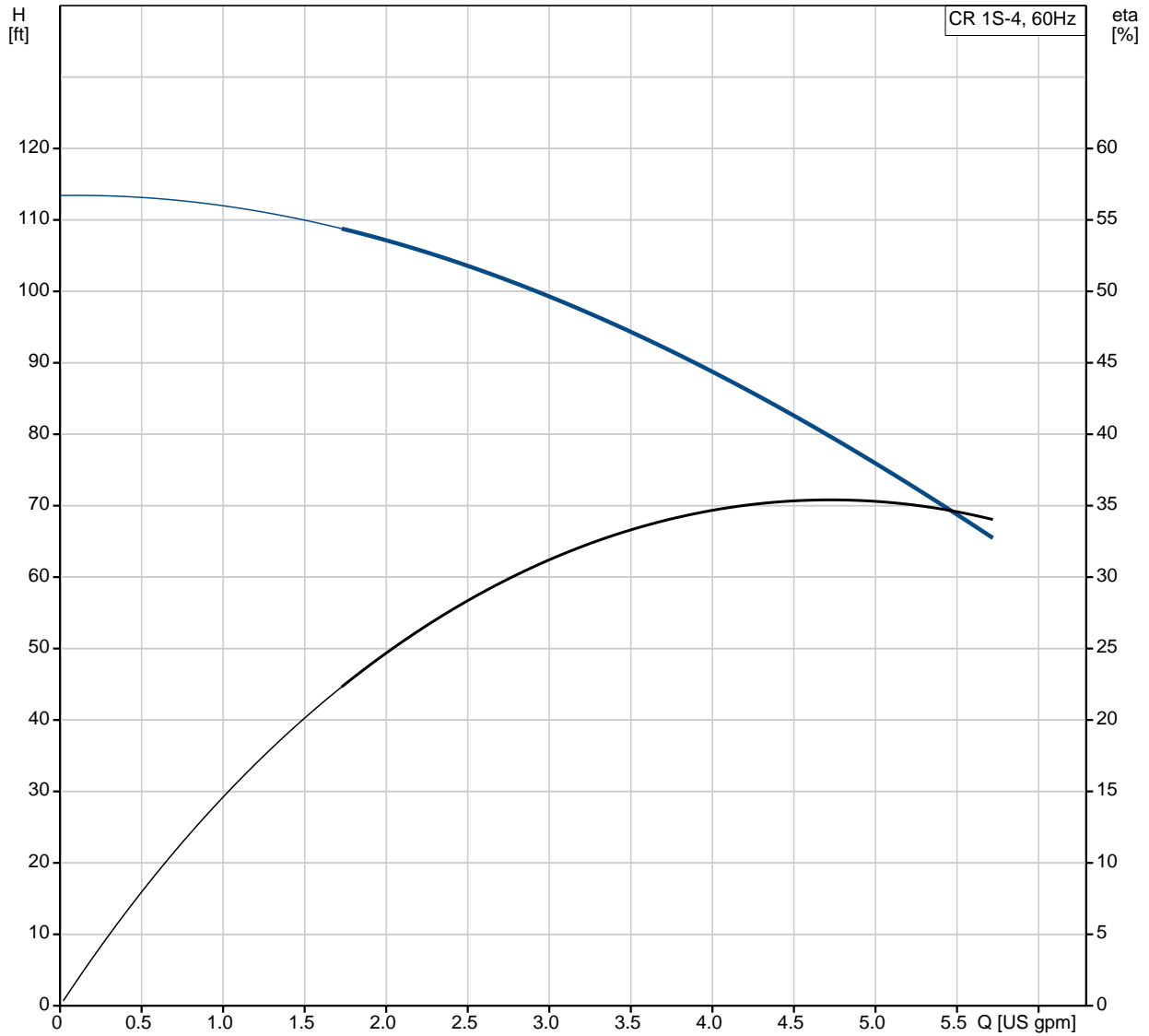
Created by:

Phone:

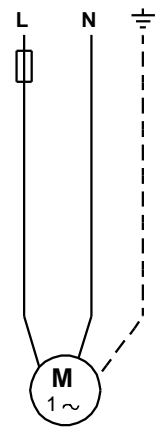
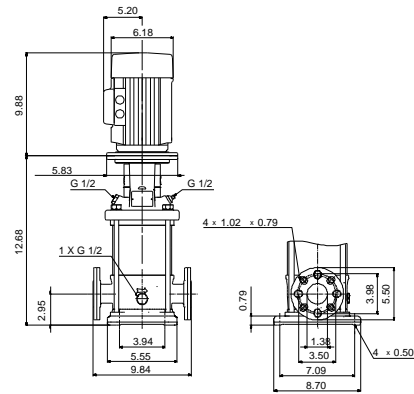
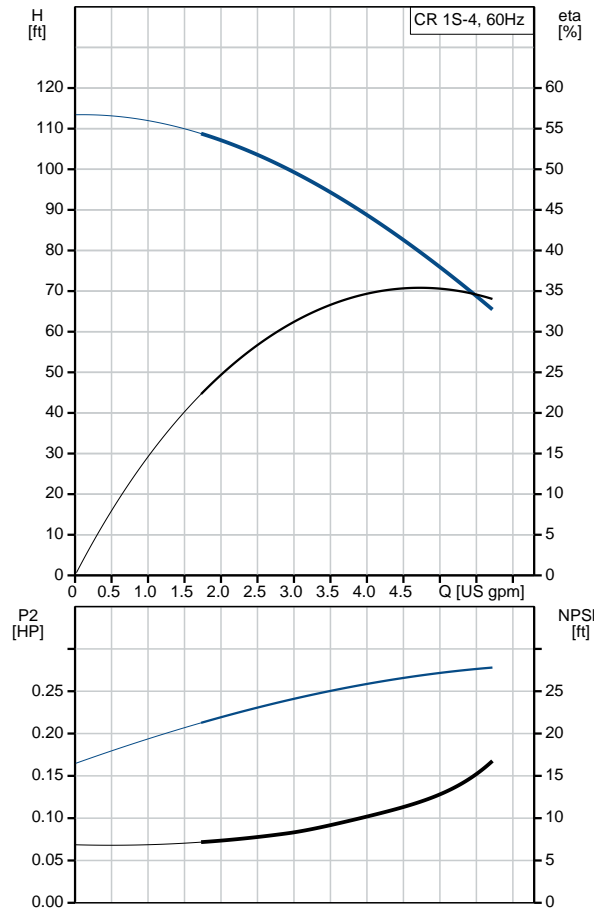
Date:

12/31/2018

96081024 CR 1S-4 A-FGJ-A-E-HQQE 60 Hz



Description	Value
General information:	
Product name:	CR 1S-4 A-FGJ-A-E-HQQE
Product No.:	96081024
EAN:	5700395154818
Technical:	
Rated pump speed:	3436 rpm
Rated flow:	4.84 US gpm
Rated head:	77.76 ft
Head max:	113.2 ft
Stages:	4
Impellers:	4
Number of reduced-diameter impellers:	0
Low NPSH:	No
Pump orientation:	Vertical
Shaft seal arrangement:	Single
Code for shaft seal:	HQQE
Approvals on nameplate:	CURUS,NSF61
Curve tolerance:	ISO9906:2012 3B
Pump version:	A
Model:	A
Cooling:	TEFC
Materials:	
Base:	Cast iron EN 1561 EN-GJL-200 ASTM A48-25B
Impeller:	Stainless steel EN 1.4301 AISI 304
Material code:	A
Code for rubber:	E
Bearing:	SIC
Installation:	
Maximum ambient temperature:	104 °F
Maximum operating pressure:	363 psi
Max pressure at stated temperature:	363 psi / 250 °F 363 psi / -4 °F
Type of connection:	DIN / ANSI / JIS
Size of inlet connection:	DN 25/32
Size of suction port:	1 1/4 inch
Size of outlet connection:	DN 25/32
Size of outlet port:	1 1/4 inch
Pressure rating for pipe connection:	PN 25
Flange rating inlet:	250 lb
Flange size for motor:	56C
Connect code:	FGJ
Liquid:	
Pumped liquid:	Water
Liquid temperature range:	-4 .. 248 °F
Liquid temperature during operation:	68 °F
Density:	62.29 lb/ft³
Electrical data:	
Motor standard:	NEMA
Motor type:	Baldor
Rated power - P2:	0.33 HP
Power (P2) required by pump:	0.33 HP
Main frequency:	60 Hz
Rated voltage:	1 x 115/230 V





Company name:

Created by:

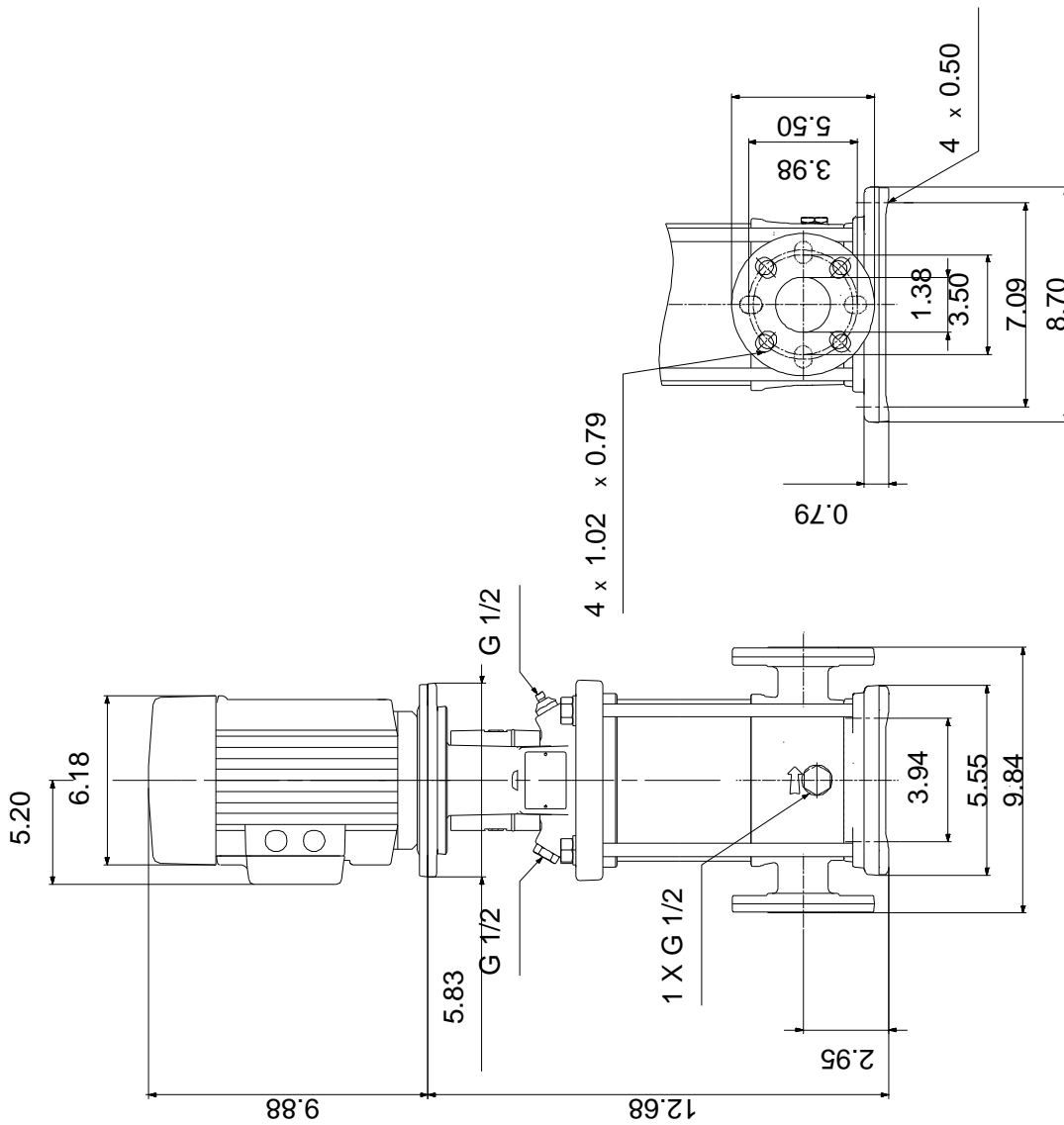
Phone:

Date:

12/31/2018

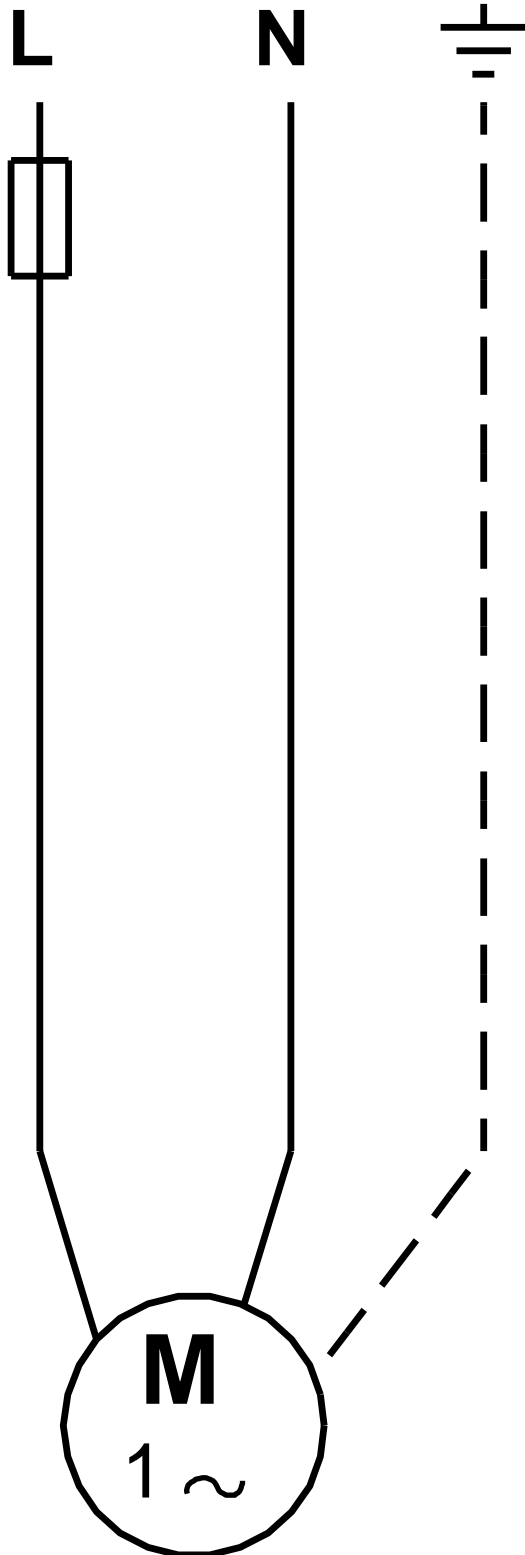
Description	Value
Service factor:	1.35
Rated current:	6.00/3.00 A
Load current:	6.8/3.4 A
Rated speed:	3450 rpm
Number of poles:	2
Insulation class (IEC 85):	B
Motor Number:	85680001
Controls:	
Frequency converter:	NONE
Others:	
Net weight:	59.1 lb
Gross weight:	70.1 lb
Shipping volume:	4.94 ft ³
Country of origin:	US
Custom tariff no.:	8413.70.2040

96081024 CR 1S-4 A-FGJ-A-E-HQQE 60 Hz



Note! All units are in [mm] unless otherwise stated.
Disclaimer: This simplified dimensional drawing does not show all details.

96081024 CR 1S-4 A-FGJ-A-E-HQQE 60 Hz



All units are [mm] unless otherwise presented.