

PROJECT: _____	UNIT TAG: _____	QUANTITY: _____
REPRESENTATIVE: _____	TYPE OF SERVICE: _____	DATE: _____
ENGINEER: _____	SUBMITTED BY: _____	DATE: _____
CONTRACTOR: _____	APPROVED BY: _____	DATE: _____
	ORDER NO.: _____	DATE: _____

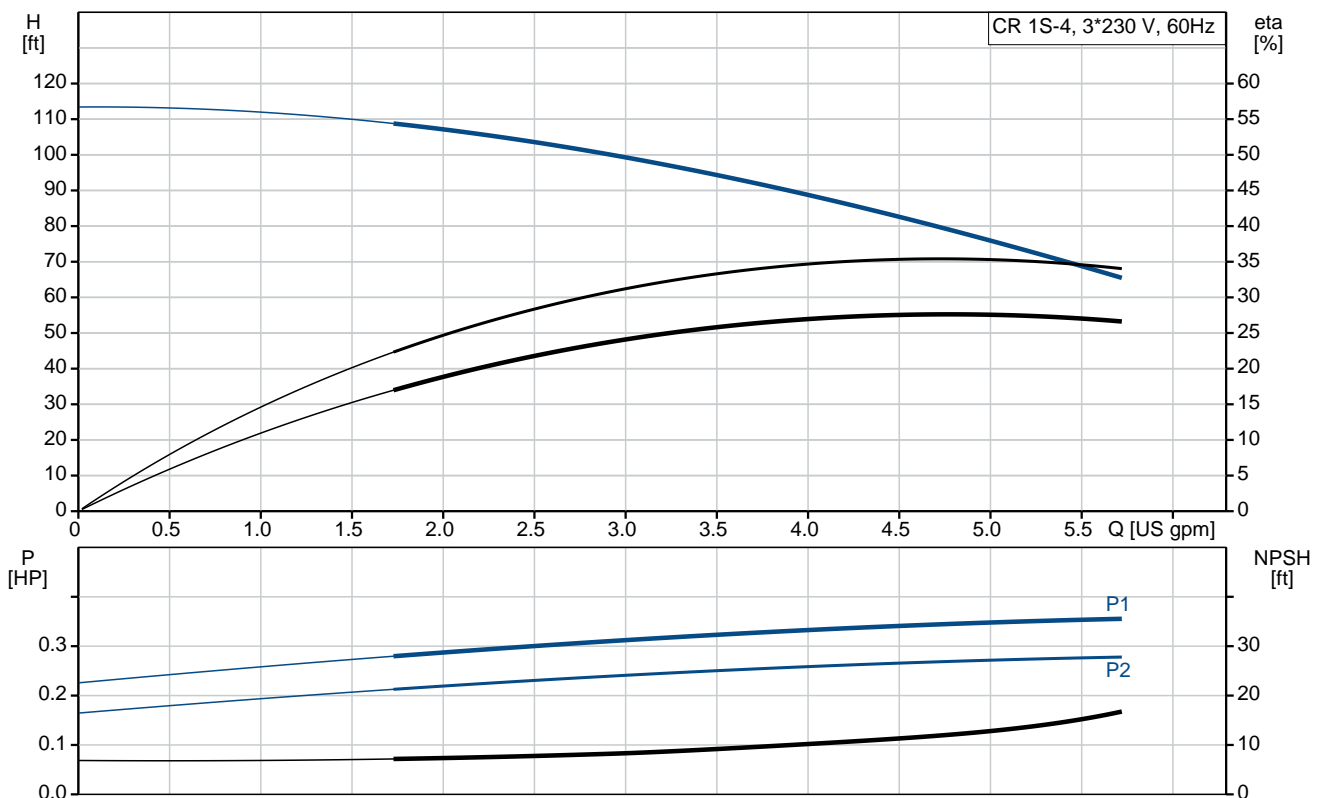


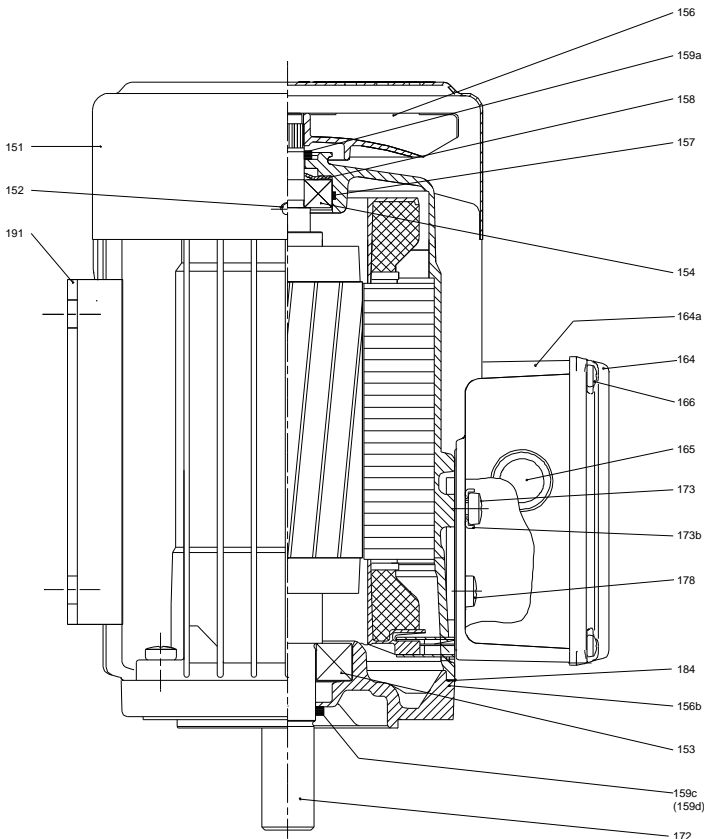
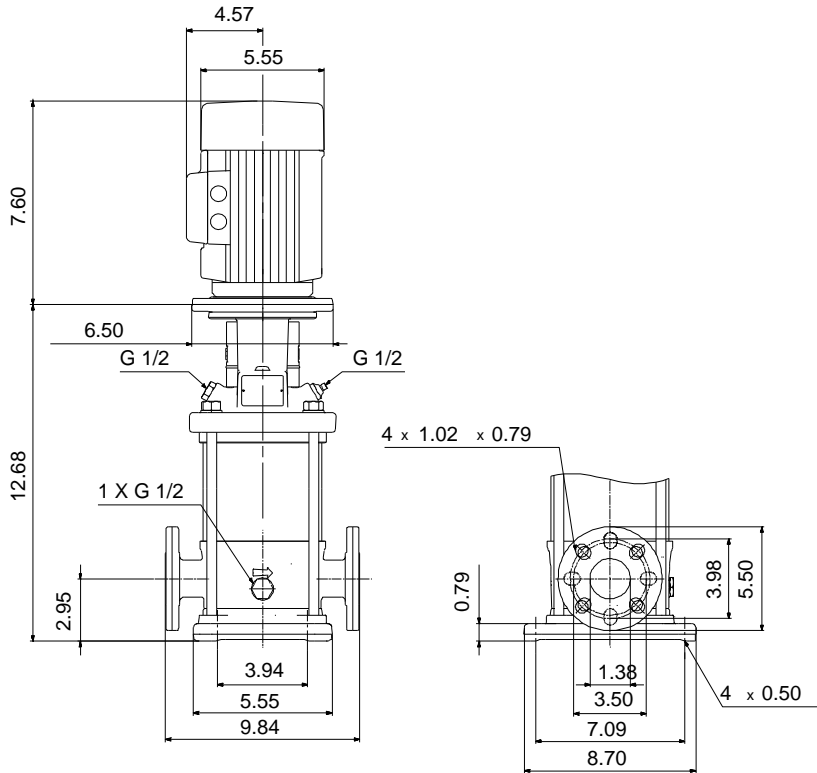
CR 1S-4 A-FGJ-A-E-HQQE

Vertical, multistage centrifugal pump with suction and discharge ports on the same level. The pump head and base are in cast iron. All other wetted parts are in stainless steel (EN 1.4301)(AISI 304)

Product photo could vary from the actual product


Conditions of Service	Pump Data	Motor Data
Flow: _____	Max pressure at stated temperature: 363 psi / 250 °F	Rated power - P2: 0.33 HP
Head: _____	Liquid temperature range: -4 .. 248 °F	Rated voltage: 208-230YY/460Y V
Efficiency: _____	Maximum ambient temperature: 104 °F	Main frequency: 60 Hz
Liquid: Water	Approvals: CURUS,NSF61	Enclosure class: 55 Dust/Jetting
Temperature: 68 °F	Shaft seal: HQQE	Insulation class: F
NPSH required: ft	Product number: 96081025	Motor protection: NONE
Viscosity: _____		Motor type: 71AA
Specific Gravity: 1.000		Motor_efficiency: 78.5 %





Materials:

- Base: Cast iron
EN 1561 EN-GJL-200
ASTM A48-25B
- Impeller: Stainless steel
AISI 304
EN 1.4301
- Material code: A
- Code for rubber: E

Count	Description
1	<p data-bbox="225 338 536 367">CR 1S-4 A-FGJ-A-E-HQQE</p>  <p data-bbox="225 660 491 689">Product No.: 96081025</p> <p data-bbox="225 689 748 779">Vertical, non-self-priming, multistage, in-line, centrifugal pump for installation in pipe systems and mounting on a foundation.</p> <p data-bbox="225 808 702 837">The pump has the following characteristics:</p> <ul data-bbox="263 837 850 958" style="list-style-type: none"> - Impellers and intermediate chambers are made of - The shaft seal has assembly length according to EN 12756. - Power transmission is via cast iron split coupling. <p data-bbox="225 1014 600 1043">The motor is a 3-phase AC motor.</p> <p data-bbox="225 1077 327 1106">Controls:</p> <p data-bbox="225 1106 662 1135">Frequency converter: NONE</p> <p data-bbox="225 1167 311 1196">Liquid:</p> <p data-bbox="225 1196 659 1225">Pumped liquid: Water</p> <p data-bbox="225 1225 715 1254">Liquid temperature range: -4 .. 248 °F</p> <p data-bbox="225 1254 707 1283">Liquid temperature during operation: 68 °F</p> <p data-bbox="225 1283 708 1312">Density: 62.29 lb/ft³</p> <p data-bbox="225 1344 351 1373">Technical:</p> <p data-bbox="225 1373 695 1402">Rated pump speed: 3425 rpm</p> <p data-bbox="225 1402 735 1431">Rated flow: 4.84 US gpm</p> <p data-bbox="225 1431 662 1460">Rated head: 77.1 ft</p> <p data-bbox="225 1460 675 1489">Pump orientation: Vertical</p> <p data-bbox="225 1489 660 1518">Shaft seal arrangement: Single</p> <p data-bbox="225 1518 663 1547">Code for shaft seal: HQQE</p> <p data-bbox="225 1547 761 1576">Approvals on nameplate: CURUS,NSF61</p> <p data-bbox="225 1576 788 1606">Curve tolerance: ISO9906:2012 3B</p> <p data-bbox="225 1637 343 1666">Materials:</p> <p data-bbox="225 1666 831 1756">Base: Cast iron EN 1561 EN-GJL-200 ASTM A48-25B</p> <p data-bbox="225 1756 751 1845">Impeller: Stainless steel EN 1.4301 AISI 304</p> <p data-bbox="225 1845 632 1874">Bearing: SIC</p> <p data-bbox="225 1906 367 1935">Installation:</p> <p data-bbox="225 1935 663 1964">Maximum ambient temperature: 104 °F</p> <p data-bbox="225 1964 671 1993">Maximum operating pressure: 363 psi</p> <p data-bbox="225 1993 828 2054">Max pressure at stated temperature: 363 psi / 250 °F 363 psi / -4 °F</p> <p data-bbox="225 2054 767 2083">Type of connection: DIN / ANSI / JIS</p>



Company name:

Created by:

Phone:

Date:

12/31/2018

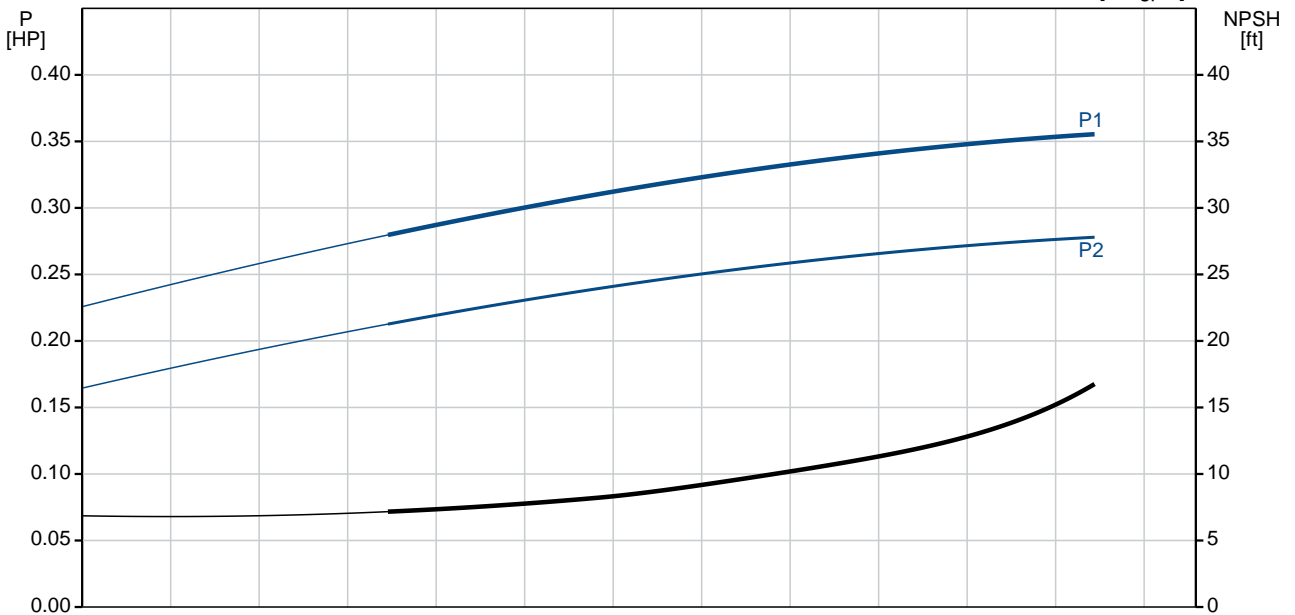
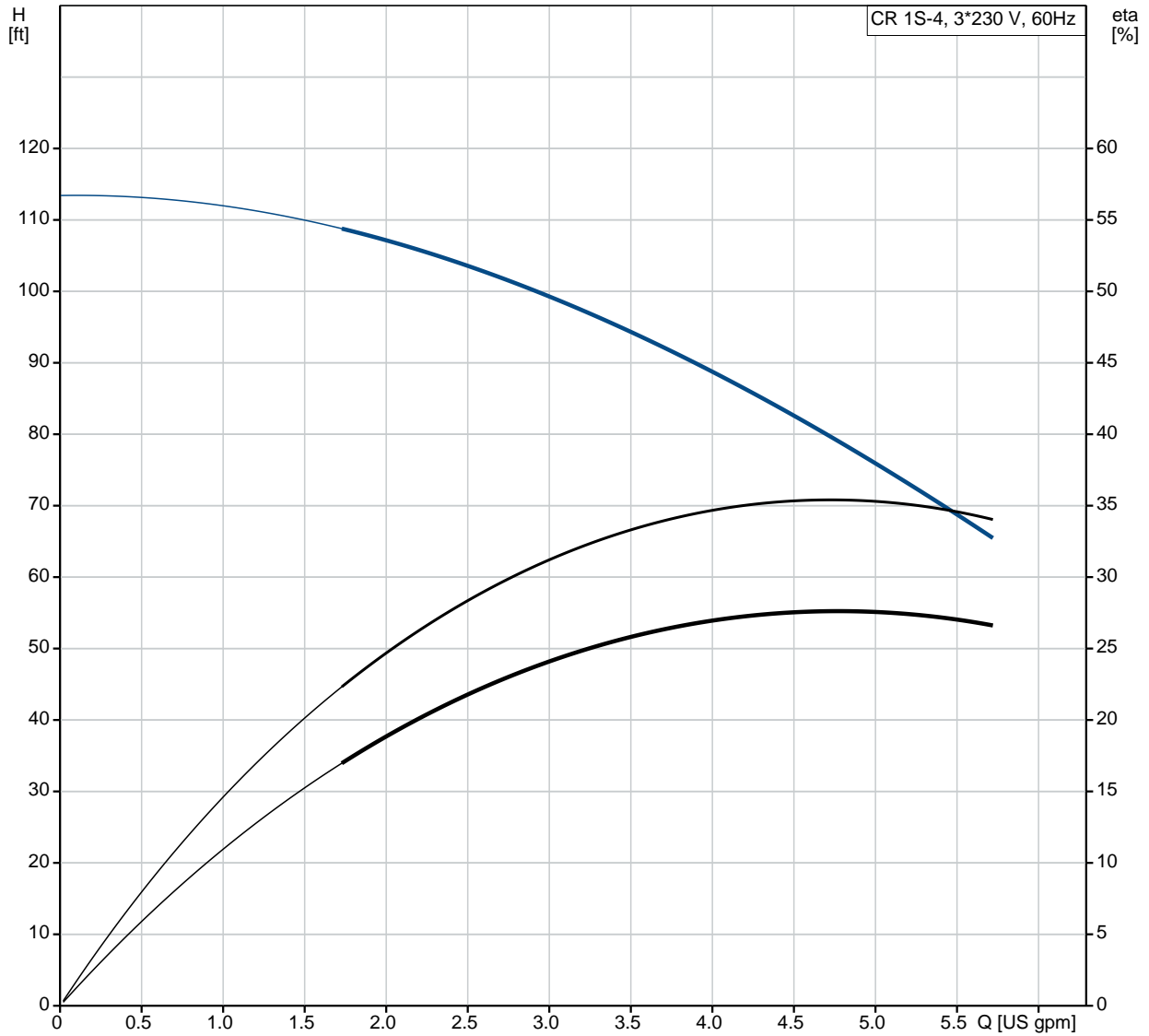
Count	Description
	Size of inlet connection: DN 25/32
	Size of suction port: 1 1/4 inch
	Size of outlet connection: DN 25/32
	Size of outlet port: 1 1/4 inch
	Pressure rating for pipe connection: PN 25
	Flange rating inlet: 250 lb
	Flange size for motor: 56C
	Electrical data:
	Motor standard: NEMA
	Motor type: 71AA
	Rated power - P2: 0.33 HP
	Power (P2) required by pump: 0.33 HP
	Main frequency: 60 Hz
	Rated voltage: 3 x 208-230YY/460Y V
	Service factor: 1.35
	Rated current: 1,12-1,10/0,55 A
	Starting current: 630-700 %
	Cos phi - power factor: 0.81-0.75
	Rated speed: 3450-3480 rpm
	Motor efficiency at full load: 78.5 %
	Number of poles: 2
	Enclosure class (IEC 34-5): 55 Dust/Jetting
	Insulation class (IEC 85): F
	Others:
	Net weight: 57 lb
	Gross weight: 68 lb
	Shipping volume: 4.94 ft ³
	Country of origin: US
	Custom tariff no.: 8413.70.2040



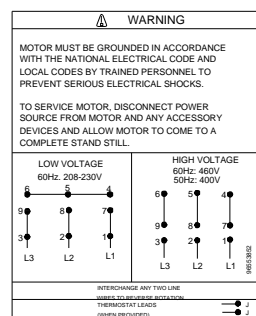
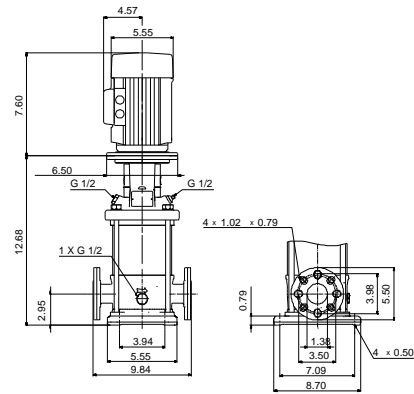
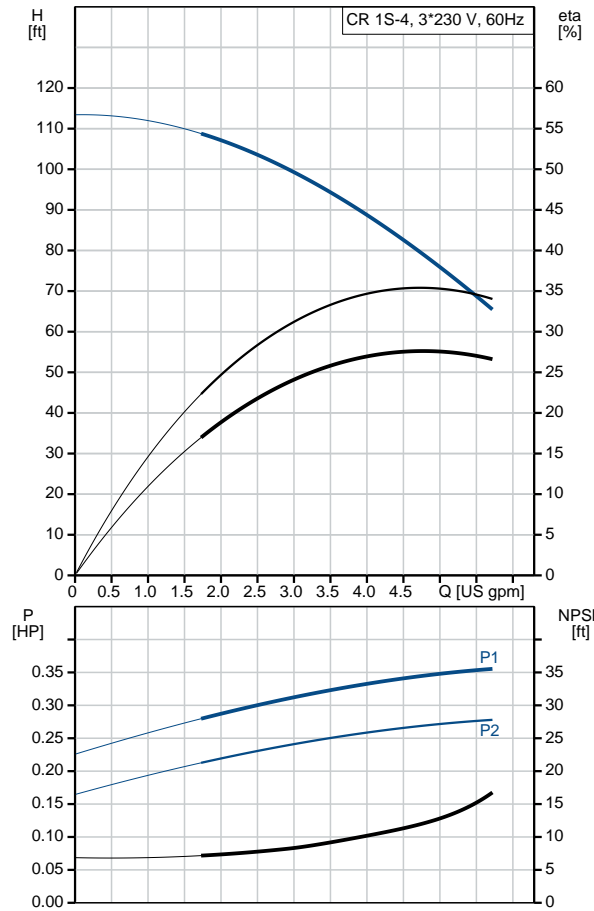
Company name:
Created by:
Phone:

Date: 12/31/2018

96081025 CR 1S-4 A-FGJ-A-E-HQQE 60 Hz



Description	Value
General information:	
Product name:	CR 1S-4 A-FGJ-A-E-HQQE
Product No.:	96081025
EAN:	5700395154825
Technical:	
Rated pump speed:	3425 rpm
Rated flow:	4.84 US gpm
Rated head:	77.1 ft
Head max:	112.5 ft
Stages:	4
Impellers:	4
Number of reduced-diameter impellers:	0
Low NPSH:	No
Pump orientation:	Vertical
Shaft seal arrangement:	Single
Code for shaft seal:	HQQE
Approvals on nameplate:	CURUS,NSF61
Curve tolerance:	ISO9906:2012 3B
Pump version:	A
Model:	A
Cooling:	TEFC
Materials:	
Base:	Cast iron EN 1561 EN-GJL-200 ASTM A48-25B
Impeller:	Stainless steel EN 1.4301 AISI 304
Material code:	A
Code for rubber:	E
Bearing:	SIC
Installation:	
Maximum ambient temperature:	104 °F
Maximum operating pressure:	363 psi
Max pressure at stated temperature:	363 psi / 250 °F 363 psi / -4 °F
Type of connection:	DIN / ANSI / JIS
Size of inlet connection:	DN 25/32
Size of suction port:	1 1/4 inch
Size of outlet connection:	DN 25/32
Size of outlet port:	1 1/4 inch
Pressure rating for pipe connection:	PN 25
Flange rating inlet:	250 lb
Flange size for motor:	56C
Connect code:	FGJ
Liquid:	
Pumped liquid:	Water
Liquid temperature range:	-4 .. 248 °F
Liquid temperature during operation:	68 °F
Density:	62.29 lb/ft³
Electrical data:	
Motor standard:	NEMA
Motor type:	71AA
Rated power - P2:	0.33 HP
Power (P2) required by pump:	0.33 HP
Main frequency:	60 Hz
Rated voltage:	3 x 208-230YY/460Y V





Company name:

Created by:

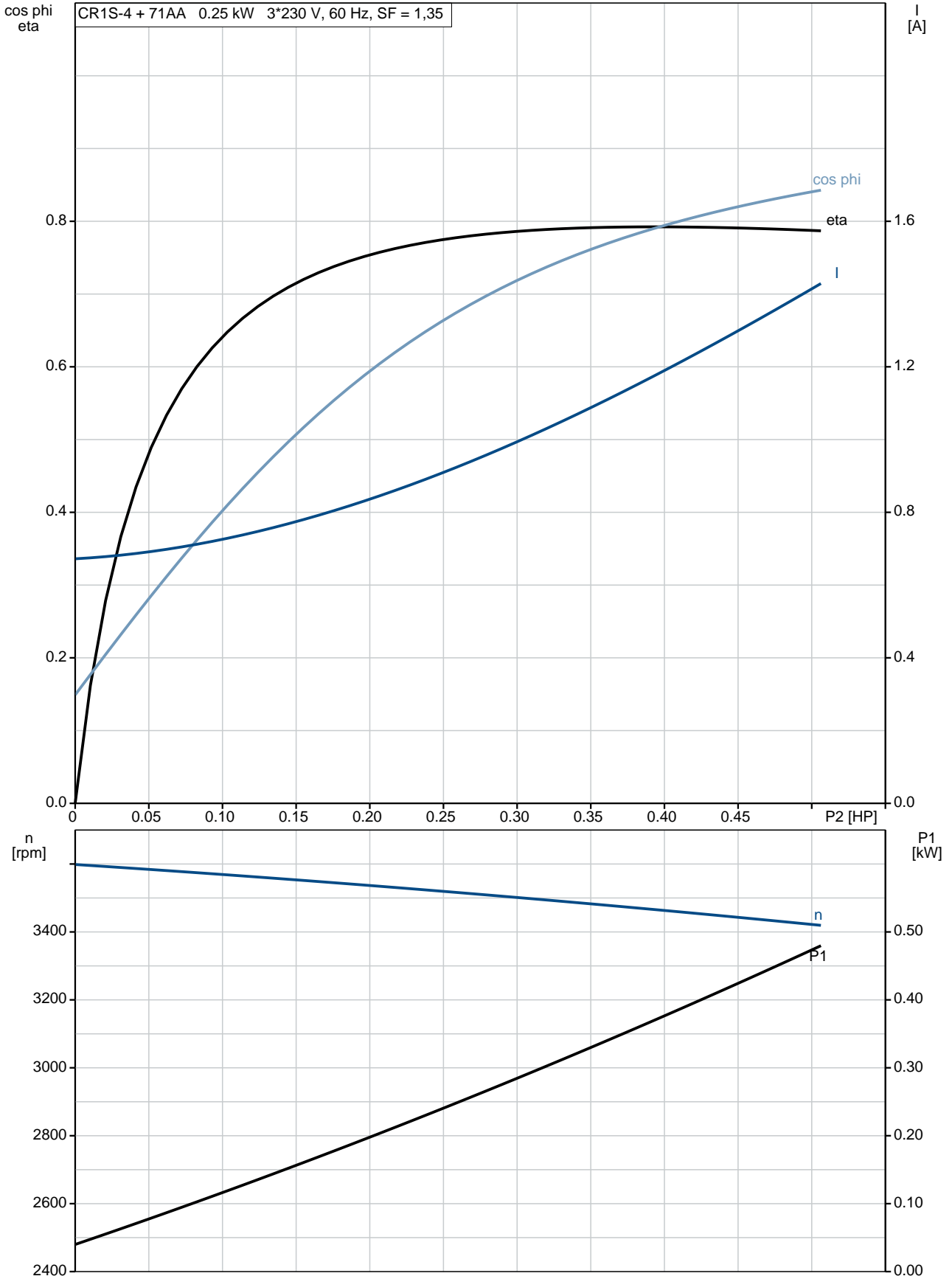
Phone:

Date:

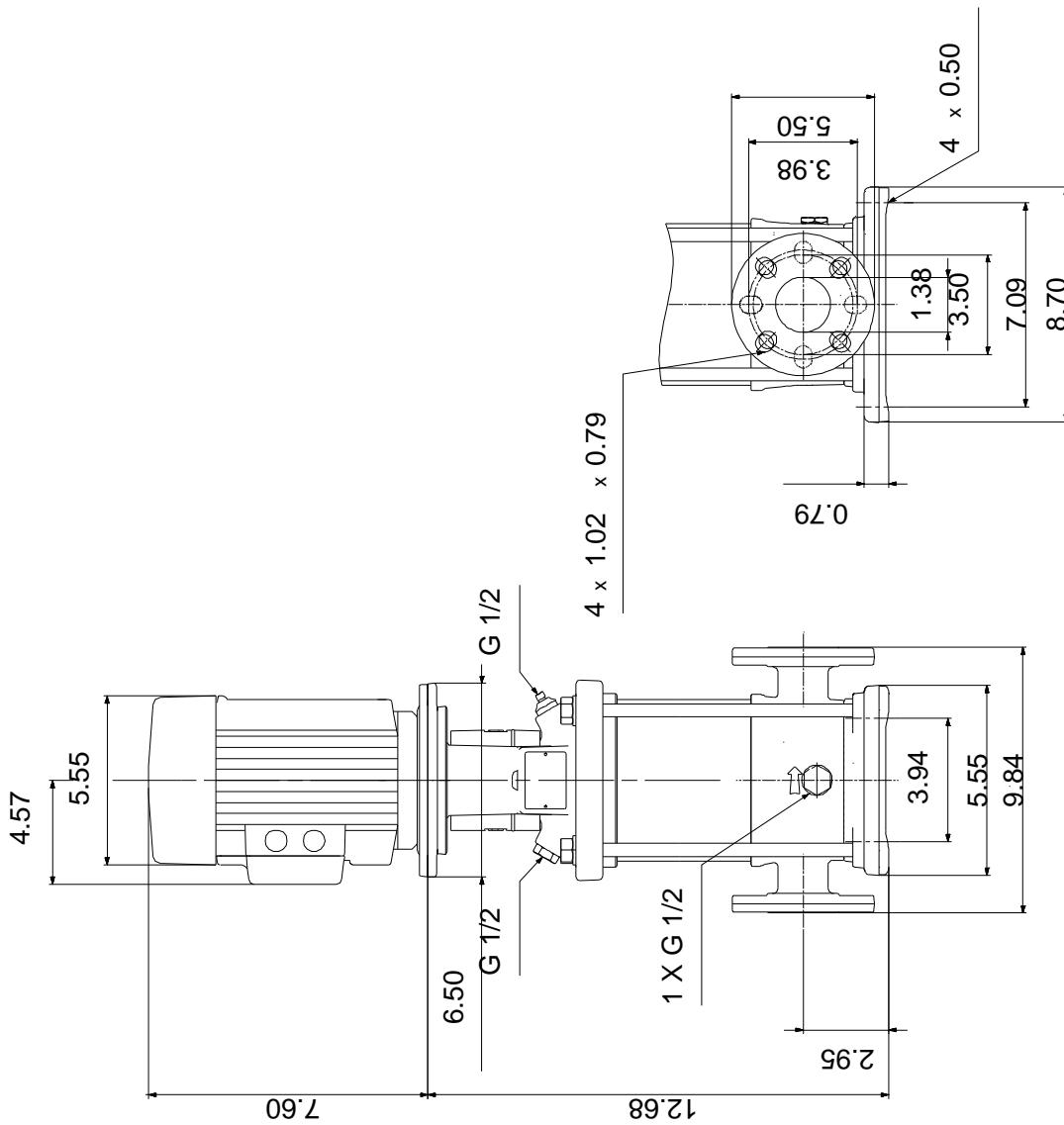
12/31/2018

Description	Value
Service factor:	1.35
Rated current:	1,12-1,10/0,55 A
Starting current:	630-700 %
Load current:	1,5-1,45/0,75 A
Cos phi - power factor:	0.81-0.75
Rated speed:	3450-3480 rpm
Motor efficiency at full load:	78.5 %
Number of poles:	2
Enclosure class (IEC 34-5):	55 Dust/Jetting
Insulation class (IEC 85):	F
Motor protection:	NONE
Motor Number:	85900700
Controls:	
Frequency converter:	NONE
Others:	
Net weight:	57 lb
Gross weight:	68 lb
Shipping volume:	4.94 ft ³
Country of origin:	US
Custom tariff no.:	8413.70.2040

96081025 CR 1S-4 A-FGJ-A-E-HQQE 60 Hz



96081025 CR 1S-4 A-FGJ-A-E-HQQE 60 Hz



Note! All units are in [mm] unless otherwise stated.
Disclaimer: This simplified dimensional drawing does not show all details.

96081025 CR 1S-4 A-FGJ-A-E-HQQE 60 Hz



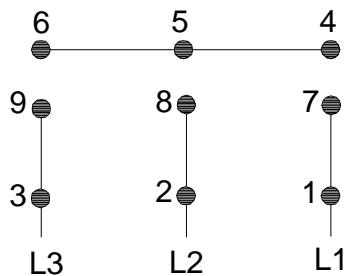
WARNING

MOTOR MUST BE GROUNDED IN ACCORDANCE WITH THE NATIONAL ELECTRICAL CODE AND LOCAL CODES BY TRAINED PERSONNEL TO PREVENT SERIOUS ELECTRICAL SHOCKS.

TO SERVICE MOTOR, DISCONNECT POWER SOURCE FROM MOTOR AND ANY ACCESSORY DEVICES AND ALLOW MOTOR TO COME TO A COMPLETE STAND STILL.

LOW VOLTAGE

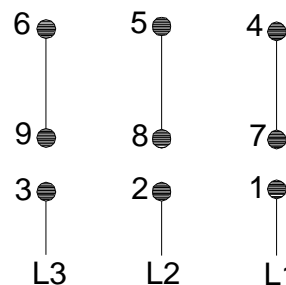
60Hz. 208-230V



HIGH VOLTAGE

60Hz: 460V

50Hz: 400V



96553852

INTERCHANGE ANY TWO LINE WIRES TO REVERSE ROTATION
THERMOSTAT LEADS
(WHEN PROVIDED)

