

PROJECT: _____	UNIT TAG: _____	QUANTITY: _____
REPRESENTATIVE: _____	TYPE OF SERVICE: _____	DATE: _____
ENGINEER: _____	SUBMITTED BY: _____	DATE: _____
CONTRACTOR: _____	APPROVED BY: _____	DATE: _____
	ORDER NO.: _____	DATE: _____

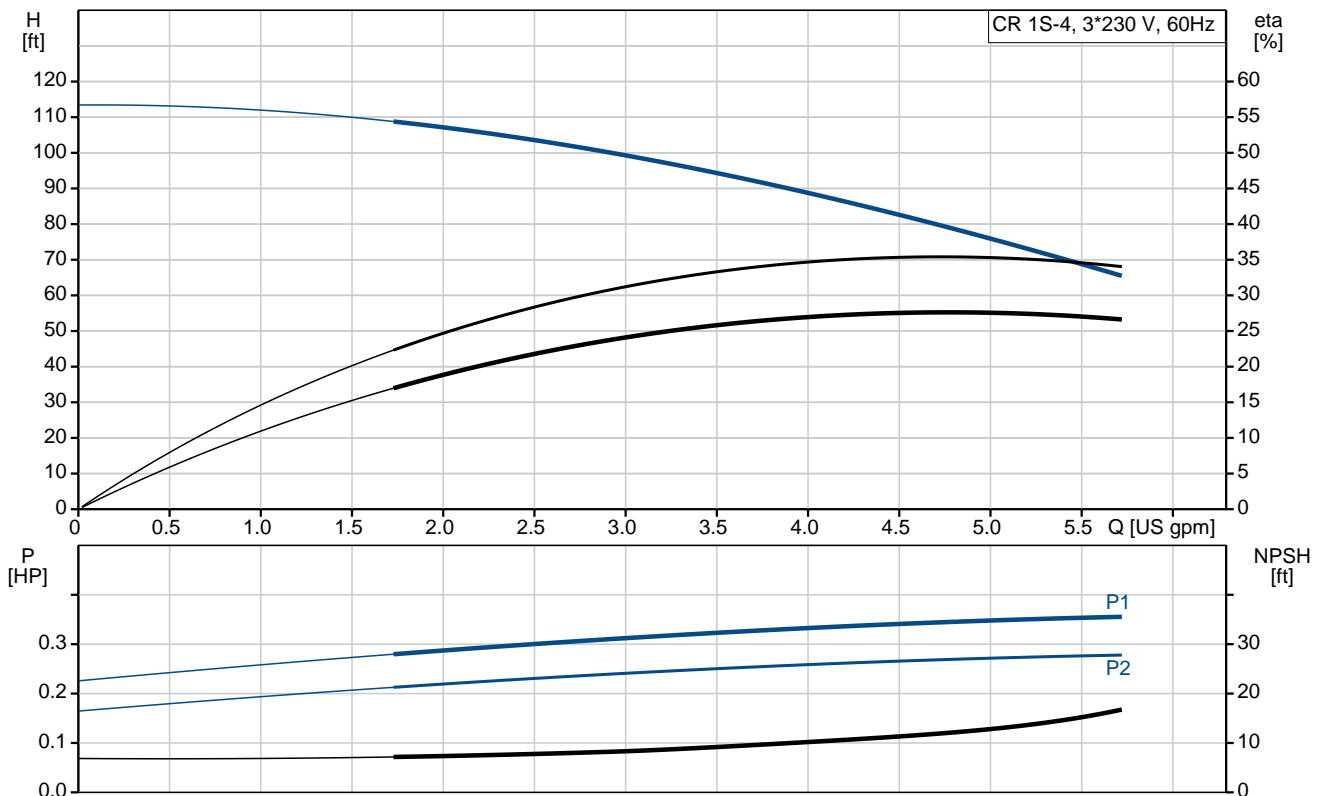


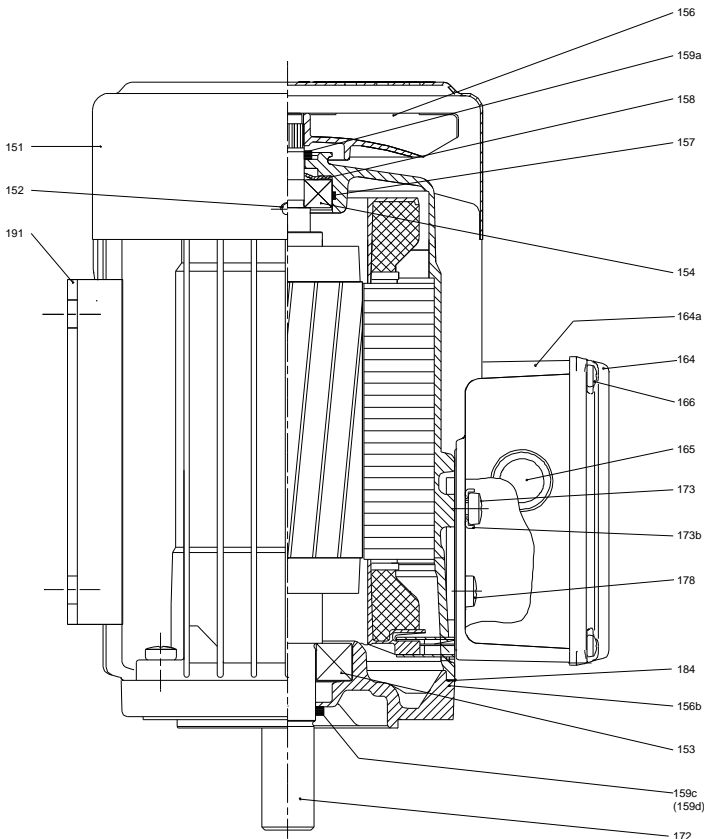
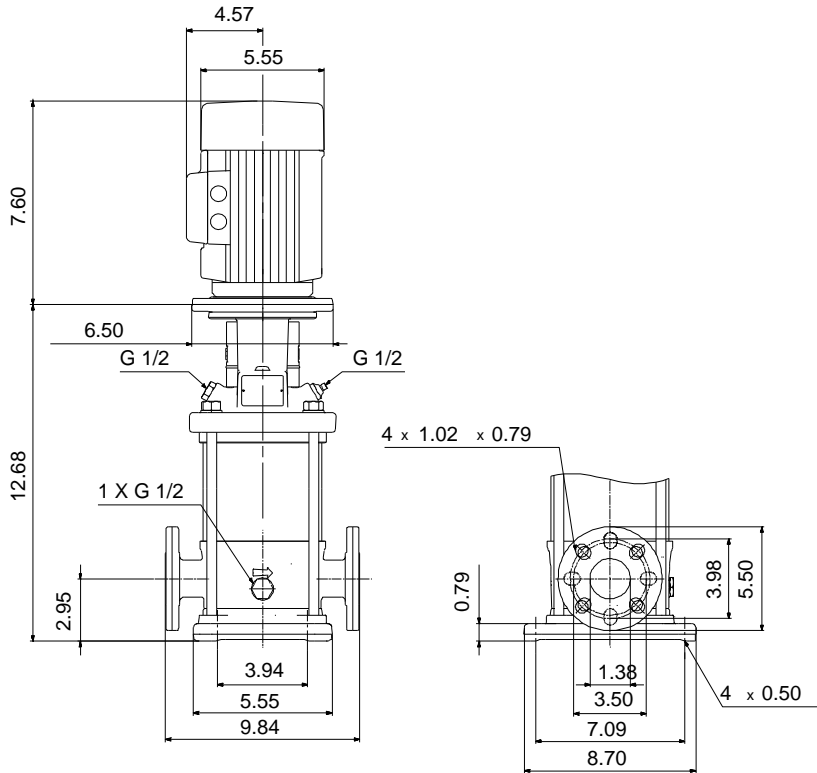
CR 1S-4 A-FGJ-A-V-HQQV

Vertical, multistage centrifugal pump with suction and discharge ports on the same level. The pump head and base are in cast iron. All other wetted parts are in stainless steel (EN 1.4301)(AISI 304)

Product photo could vary from the actual product


Conditions of Service	Pump Data	Motor Data
Flow: _____	Max pressure at stated temperature: 363 psi / 194 °F	Rated power - P2: 0.33 HP
Head: _____	Liquid temperature range: -4 .. 194 °F	Rated voltage: 208-230YY/460Y V
Efficiency: _____	Maximum ambient temperature: 104 °F	Main frequency: 60 Hz
Liquid: Water	Approvals: CURUS	Enclosure class: 55 Dust/Jetting
Temperature: 68 °F	Shaft seal: HQQV	Insulation class: F
NPSH required: ft	Product number: 96081120	Motor protection: NONE
Viscosity: _____		Motor type: 71AA
Specific Gravity: 1.000		Motor_efficiency: 78.5 %





Materials:

- Base: Cast iron
EN 1561 EN-GJL-200
ASTM A48-25B
- Impeller: Stainless steel
AISI 304
EN 1.4301
- Material code: A
Code for rubber: V

Count	Description
1	<p data-bbox="225 342 536 365">CR 1S-4 A-FGJ-A-V-HQQV</p> <div data-bbox="359 392 470 627" style="text-align: center;">  </div> <p data-bbox="225 663 491 685">Product No.: 96081120</p> <p data-bbox="225 692 748 777">Vertical, non-self-priming, multistage, in-line, centrifugal pump for installation in pipe systems and mounting on a foundation.</p> <p data-bbox="225 810 703 837">The pump has the following characteristics:</p> <ul style="list-style-type: none"> <li data-bbox="264 842 850 869">- Impellers and intermediate chambers are made of <li data-bbox="264 871 692 898">- The shaft seal has assembly length according to EN 12756. <li data-bbox="264 929 735 987">- Power transmission is via cast iron split coupling. <p data-bbox="225 1019 600 1046">The motor is a 3-phase AC motor.</p> <p data-bbox="225 1077 325 1104">Controls:</p> <p data-bbox="225 1108 660 1135">Frequency converter: NONE</p> <p data-bbox="225 1167 309 1193">Liquid:</p> <p data-bbox="225 1198 660 1225">Pumped liquid: Water</p> <p data-bbox="225 1229 715 1256">Liquid temperature range: -4 .. 194 °F</p> <p data-bbox="225 1261 708 1288">Liquid temperature during operation: 68 °F</p> <p data-bbox="225 1292 708 1319">Density: 62.29 lb/ft³</p> <p data-bbox="225 1350 347 1377">Technical:</p> <p data-bbox="225 1382 695 1408">Rated pump speed: 3425 rpm</p> <p data-bbox="225 1413 735 1440">Rated flow: 4.84 US gpm</p> <p data-bbox="225 1444 660 1471">Rated head: 77.1 ft</p> <p data-bbox="225 1476 675 1503">Pump orientation: Vertical</p> <p data-bbox="225 1507 660 1534">Shaft seal arrangement: Single</p> <p data-bbox="225 1538 660 1565">Code for shaft seal: HQQV</p> <p data-bbox="225 1570 679 1597">Approvals on nameplate: CURUS</p> <p data-bbox="225 1601 788 1628">Curve tolerance: ISO9906:2012 3B</p> <p data-bbox="225 1659 341 1686">Materials:</p> <p data-bbox="225 1691 831 1758">Base: Cast iron EN 1561 EN-GJL-200 ASTM A48-25B</p> <p data-bbox="225 1762 751 1830">Impeller: Stainless steel EN 1.4301 AISI 304</p> <p data-bbox="225 1856 632 1883">Bearing: SIC</p> <p data-bbox="225 1915 363 1942">Installation:</p> <p data-bbox="225 1946 660 1973">Maximum ambient temperature: 104 °F</p> <p data-bbox="225 1977 671 2004">Maximum operating pressure: 363 psi</p> <p data-bbox="225 2009 828 2076">Max pressure at stated temperature: 363 psi / 194 °F 363 psi / -4 °F</p> <p data-bbox="225 2080 767 2107">Type of connection: DIN / ANSI / JIS</p>



Company name:

Created by:

Phone:

Date:

12/31/2018

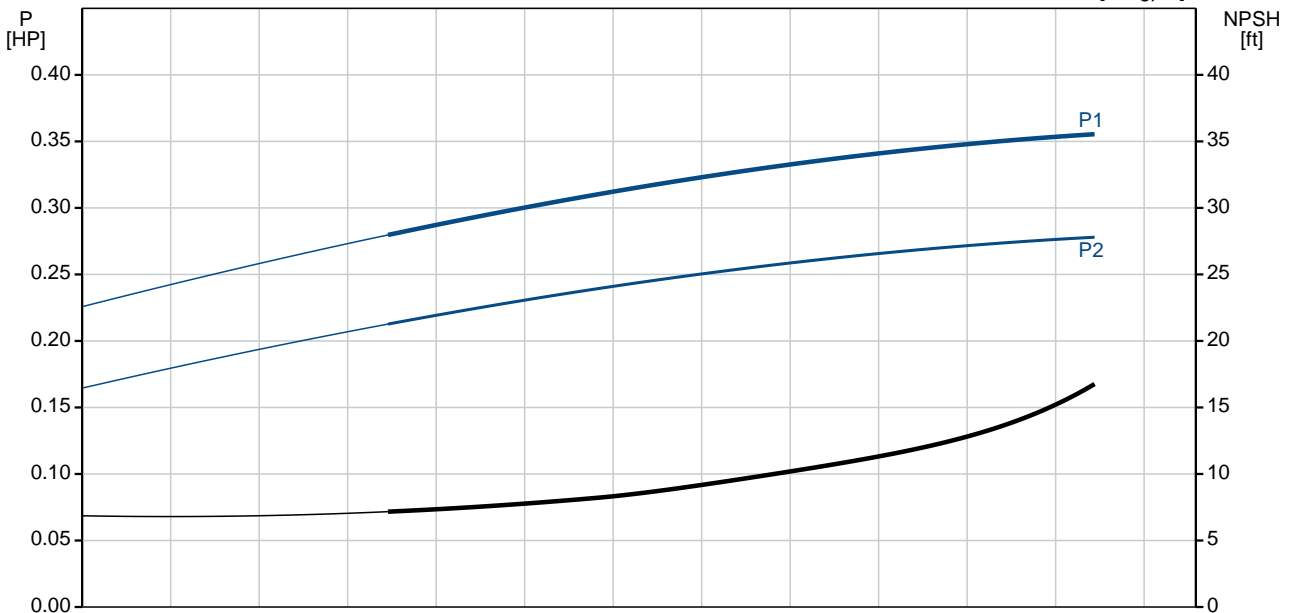
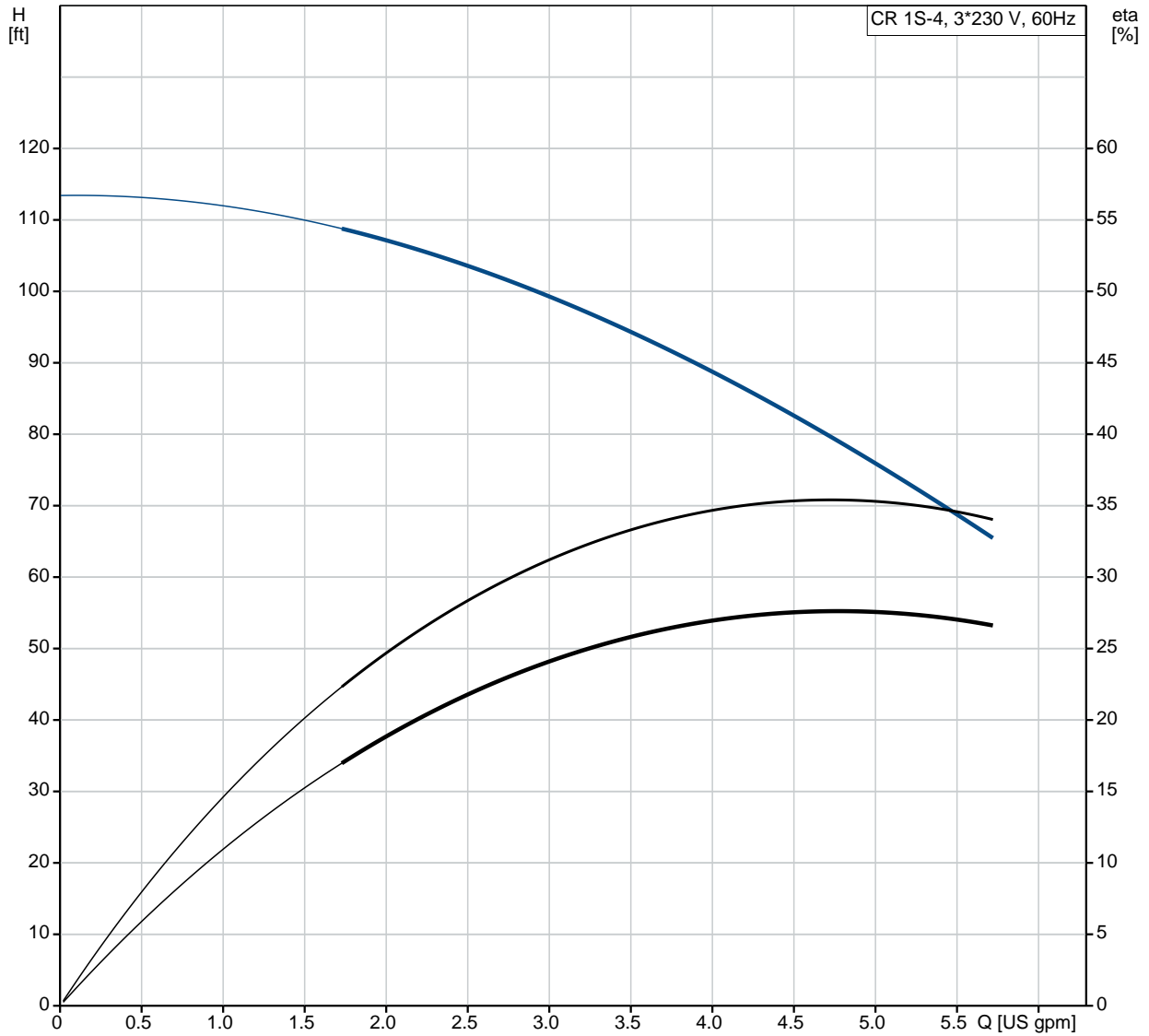
Count	Description
	Size of inlet connection: DN 25/32
	Size of suction port: 1 1/4 inch
	Size of outlet connection: DN 25/32
	Size of outlet port: 1 1/4 inch
	Pressure rating for pipe connection: PN 25
	Flange rating inlet: 250 lb
	Flange size for motor: 56C
	Electrical data:
	Motor standard: NEMA
	Motor type: 71AA
	Rated power - P2: 0.33 HP
	Power (P2) required by pump: 0.33 HP
	Main frequency: 60 Hz
	Rated voltage: 3 x 208-230YY/460Y V
	Service factor: 1.35
	Rated current: 1,12-1,10/0,55 A
	Starting current: 630-700 %
	Cos phi - power factor: 0.81-0.75
	Rated speed: 3450-3480 rpm
	Motor efficiency at full load: 78.5 %
	Number of poles: 2
	Enclosure class (IEC 34-5): 55 Dust/Jetting
	Insulation class (IEC 85): F
	Others:
	Net weight: 57 lb
	Gross weight: 68 lb
	Shipping volume: 4.94 ft ³
	Country of origin: US
	Custom tariff no.: 8413.70.2040



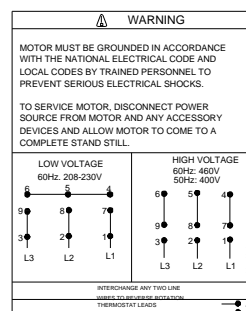
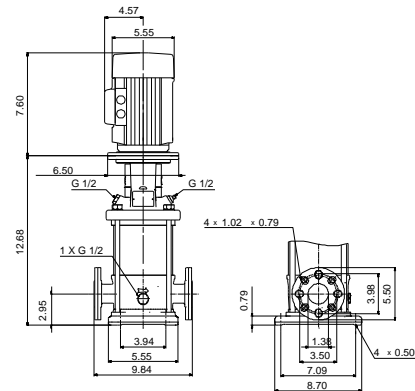
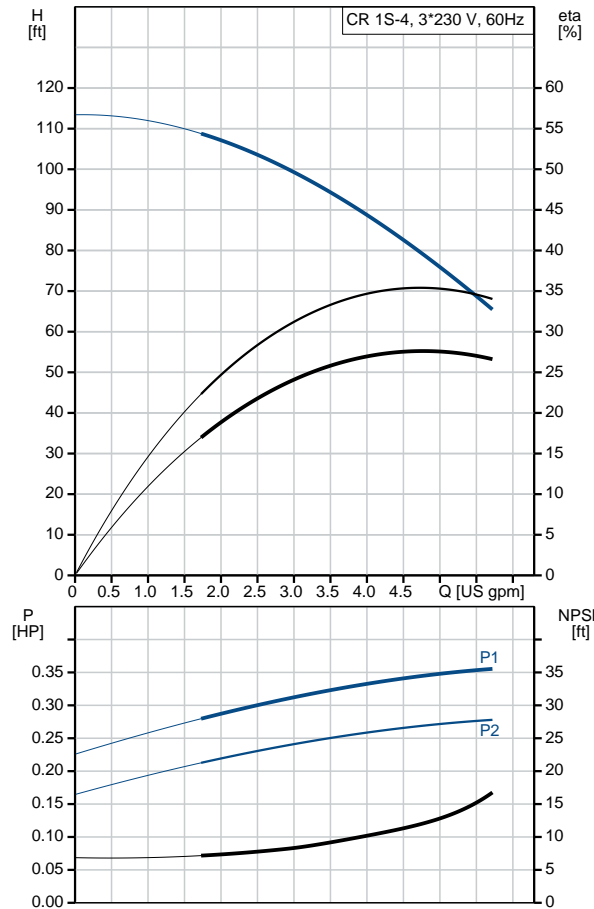
Company name:
Created by:
Phone:

Date: 12/31/2018

96081120 CR 1S-4 A-FGJ-A-V-HQQV 60 Hz



Description	Value
General information:	
Product name:	CR 1S-4 A-FGJ-A-V-HQQV
Product No.:	96081120
EAN:	5700395155846
Technical:	
Rated pump speed:	3425 rpm
Rated flow:	4.84 US gpm
Rated head:	77.1 ft
Head max:	112.5 ft
Stages:	4
Impellers:	4
Number of reduced-diameter impellers:	0
Low NPSH:	No
Pump orientation:	Vertical
Shaft seal arrangement:	Single
Code for shaft seal:	HQQV
Approvals on nameplate:	CURUS
Curve tolerance:	ISO9906:2012 3B
Pump version:	A
Model:	A
Cooling:	TEFC
Materials:	
Base:	Cast iron EN 1561 EN-GJL-200 ASTM A48-25B
Impeller:	Stainless steel EN 1.4301 AISI 304
Material code:	A
Code for rubber:	V
Bearing:	SIC
Installation:	
Maximum ambient temperature:	104 °F
Maximum operating pressure:	363 psi
Max pressure at stated temperature:	363 psi / 194 °F 363 psi / -4 °F
Type of connection:	DIN / ANSI / JIS
Size of inlet connection:	DN 25/32
Size of suction port:	1 1/4 inch
Size of outlet connection:	DN 25/32
Size of outlet port:	1 1/4 inch
Pressure rating for pipe connection:	PN 25
Flange rating inlet:	250 lb
Flange size for motor:	56C
Connect code:	FGJ
Liquid:	
Pumped liquid:	Water
Liquid temperature range:	-4 .. 194 °F
Liquid temperature during operation:	68 °F
Density:	62.29 lb/ft ³
Electrical data:	
Motor standard:	NEMA
Motor type:	71AA
Rated power - P2:	0.33 HP
Power (P2) required by pump:	0.33 HP
Main frequency:	60 Hz
Rated voltage:	3 x 208-230YY/460Y V





Company name:

Created by:

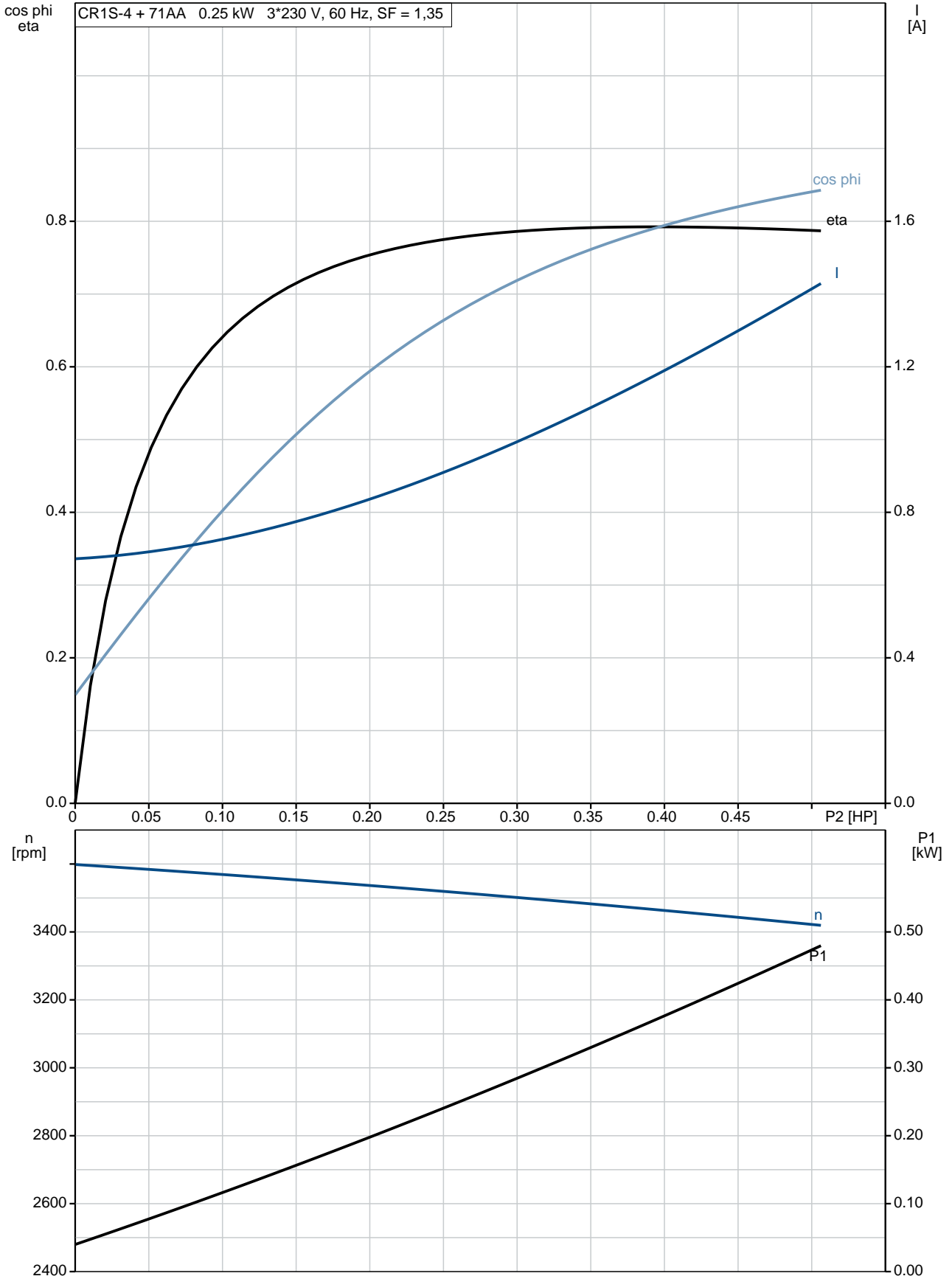
Phone:

Date:

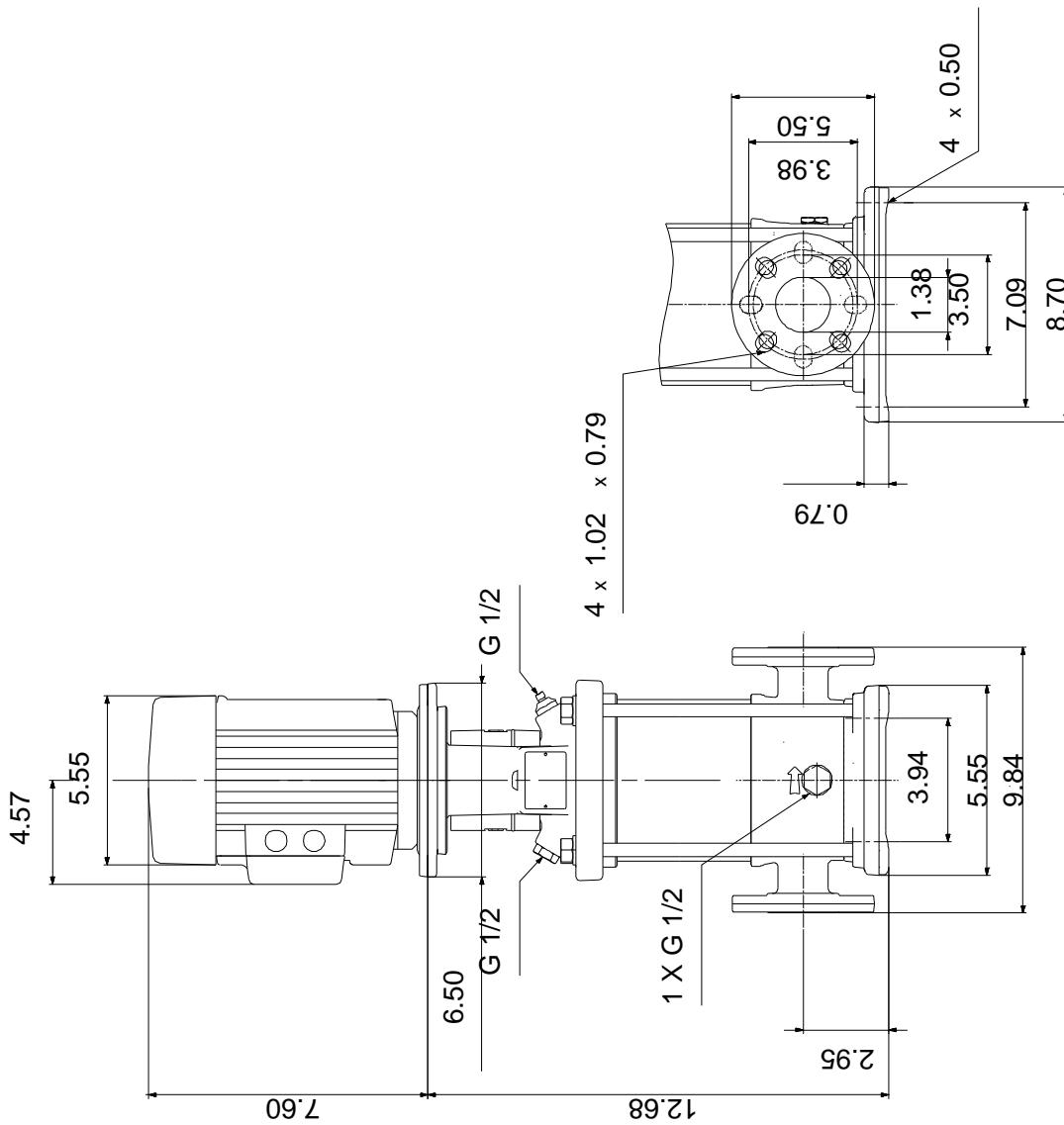
12/31/2018

Description	Value
Service factor:	1.35
Rated current:	1,12-1,10/0,55 A
Starting current:	630-700 %
Load current:	1,5-1,45/0,75 A
Cos phi - power factor:	0.81-0.75
Rated speed:	3450-3480 rpm
Motor efficiency at full load:	78.5 %
Number of poles:	2
Enclosure class (IEC 34-5):	55 Dust/Jetting
Insulation class (IEC 85):	F
Motor protection:	NONE
Motor Number:	85900700
Controls:	
Frequency converter:	NONE
Others:	
Net weight:	57 lb
Gross weight:	68 lb
Shipping volume:	4.94 ft ³
Country of origin:	US
Custom tariff no.:	8413.70.2040

96081120 CR 1S-4 A-FGJ-A-V-HQQV 60 Hz



96081120 CR 1S-4 A-FGJ-A-V-HQQV 60 Hz



Note! All units are in [mm] unless otherwise stated.
Disclaimer: This simplified dimensional drawing does not show all details.

96081120 CR 1S-4 A-FGJ-A-V-HQQV 60 Hz

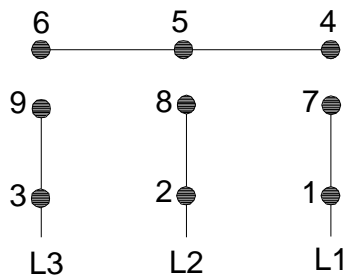


WARNING

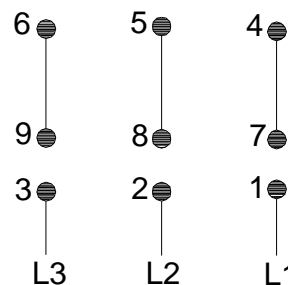
MOTOR MUST BE GROUNDED IN ACCORDANCE WITH THE NATIONAL ELECTRICAL CODE AND LOCAL CODES BY TRAINED PERSONNEL TO PREVENT SERIOUS ELECTRICAL SHOCKS.

TO SERVICE MOTOR, DISCONNECT POWER SOURCE FROM MOTOR AND ANY ACCESSORY DEVICES AND ALLOW MOTOR TO COME TO A COMPLETE STAND STILL.

LOW VOLTAGE 60Hz. 208-230V



HIGH VOLTAGE 60Hz: 460V 50Hz: 400V



96553852

INTERCHANGE ANY TWO LINE WIRES TO REVERSE ROTATION
THERMOSTAT LEADS
(WHEN PROVIDED)

