

PROJECT: _____	UNIT TAG: _____	QUANTITY: _____
REPRESENTATIVE: _____	TYPE OF SERVICE: _____	DATE: _____
ENGINEER: _____	SUBMITTED BY: _____	DATE: _____
CONTRACTOR: _____	APPROVED BY: _____	DATE: _____
	ORDER NO.: _____	DATE: _____

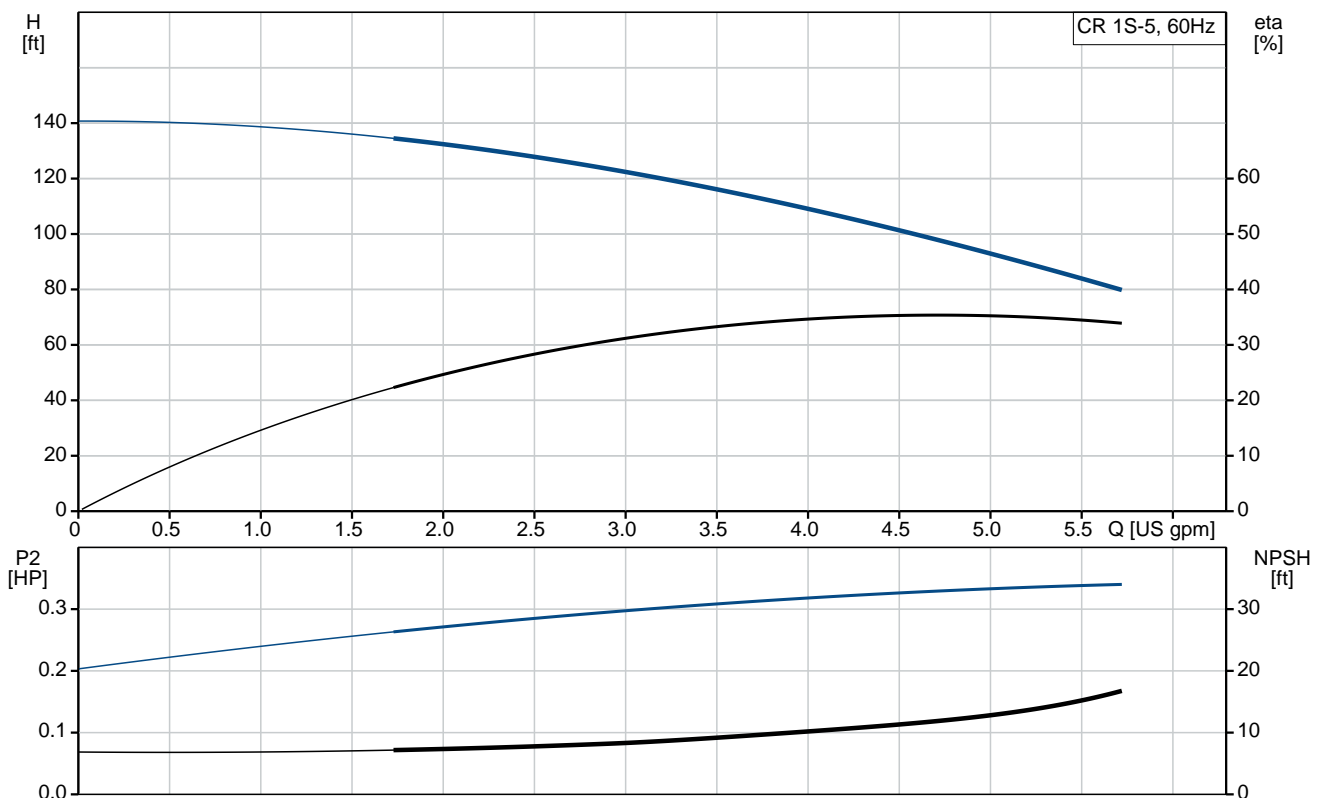


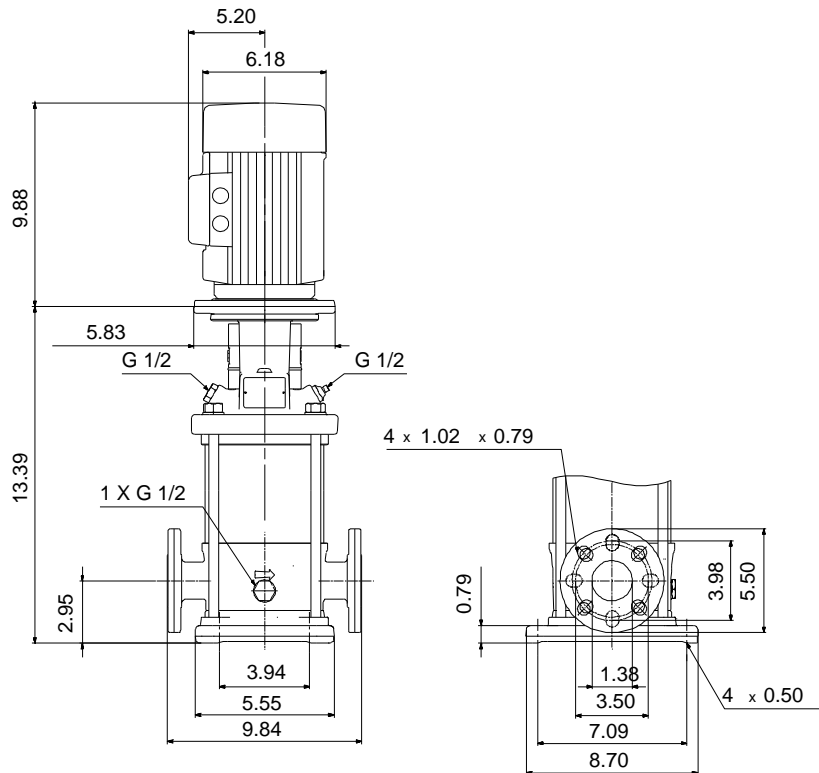
CR 1S-5 A-FGJ-A-V-HQQV

Vertical, multistage centrifugal pump with suction and discharge ports on the same level. The pump head and base are in cast iron. All other wetted parts are in stainless steel (EN 1.4301)(AISI 304)

Product photo could vary from the actual product


Conditions of Service	Pump Data	Motor Data
Flow: _____	Max pressure at stated temperature: 363 psi / 194 °F	Rated power - P2: 0.33 HP
Head: _____	Liquid temperature range: -4 .. 194 °F	Rated voltage: 115/230 V
Efficiency: _____	Maximum ambient temperature: 104 °F	Main frequency: 60 Hz
Liquid: Water	Approvals: CURUS	Insulation class: B
Temperature: 68 °F	Shaft seal: HQQV	Motor type: Baldor
NPSH required: ft	Product number: 96081121	
Viscosity: _____		
Specific Gravity: 1.000		





Materials:

Base:	Cast iron EN 1561 EN-GJL-200 ASTM A48-25B
Impeller:	Stainless steel AISI 304 EN 1.4301
Material code:	A
Code for rubber:	V

Count	Description
1	<p data-bbox="225 340 534 362">CR 1S-5 A-FGJ-A-V-HQQV</p> <div data-bbox="363 385 464 629" style="text-align: center;">  </div> <p data-bbox="225 663 488 685">Product No.: 96081121</p> <p data-bbox="225 692 748 777">Vertical, non-self-priming, multistage, in-line, centrifugal pump for installation in pipe systems and mounting on a foundation.</p> <p data-bbox="225 810 700 837">The pump has the following characteristics:</p> <ul data-bbox="264 842 850 954" style="list-style-type: none"> - Impellers and intermediate chambers are made of - The shaft seal has assembly length according to EN 12756. - Power transmission is via cast iron split coupling. <p data-bbox="225 1016 600 1043">The motor is a 1-phase AC motor.</p> <p data-bbox="225 1077 325 1104">Controls:</p> <p data-bbox="225 1108 660 1135">Frequency converter: NONE</p> <p data-bbox="225 1169 309 1196">Liquid:</p> <p data-bbox="225 1200 660 1227">Pumped liquid: Water</p> <p data-bbox="225 1232 713 1258">Liquid temperature range: -4 .. 194 °F</p> <p data-bbox="225 1263 707 1290">Liquid temperature during operation: 68 °F</p> <p data-bbox="225 1294 707 1321">Density: 62.29 lb/ft³</p> <p data-bbox="225 1355 347 1382">Technical:</p> <p data-bbox="225 1386 695 1413">Rated pump speed: 3436 rpm</p> <p data-bbox="225 1417 735 1444">Rated flow: 4.84 US gpm</p> <p data-bbox="225 1449 676 1476">Rated head: 96.13 ft</p> <p data-bbox="225 1480 676 1507">Pump orientation: Vertical</p> <p data-bbox="225 1512 660 1538">Shaft seal arrangement: Single</p> <p data-bbox="225 1543 660 1570">Code for shaft seal: HQQV</p> <p data-bbox="225 1574 676 1601">Approvals on nameplate: CURUS</p> <p data-bbox="225 1606 786 1632">Curve tolerance: ISO9906:2012 3B</p> <p data-bbox="225 1666 341 1693">Materials:</p> <p data-bbox="225 1697 831 1760">Base: Cast iron EN 1561 EN-GJL-200 ASTM A48-25B</p> <p data-bbox="225 1771 751 1834">Impeller: Stainless steel EN 1.4301 AISI 304</p> <p data-bbox="225 1845 632 1872">Bearing: SIC</p> <p data-bbox="225 1906 363 1933">Installation:</p> <p data-bbox="225 1937 660 1964">Maximum ambient temperature: 104 °F</p> <p data-bbox="225 1968 671 1995">Maximum operating pressure: 363 psi</p> <p data-bbox="225 2000 826 2063">Max pressure at stated temperature: 363 psi / 194 °F 363 psi / -4 °F</p> <p data-bbox="225 2074 767 2101">Type of connection: DIN / ANSI / JIS</p>



Company name:

Created by:

Phone:

Date:

12/31/2018

Count	Description
	Size of inlet connection: DN 25/32
	Size of suction port: 1 1/4 inch
	Size of outlet connection: DN 25/32
	Size of outlet port: 1 1/4 inch
	Pressure rating for pipe connection: PN 25
	Flange rating inlet: 250 lb
	Flange size for motor: 56C
	Electrical data:
	Motor standard: NEMA
	Motor type: Baldor
	Rated power - P2: 0.33 HP
	Power (P2) required by pump: 0.33 HP
	Main frequency: 60 Hz
	Rated voltage: 1 x 115/230 V
	Service factor: 1.35
	Rated current: 6.00/3.00 A
	Rated speed: 3450 rpm
	Number of poles: 2
	Insulation class (IEC 85): B
	Others:
	Net weight: 60 lb
	Gross weight: 71 lb
	Shipping volume: 4.94 ft ³
	Country of origin: US
	Custom tariff no.: 8413.70.2040



Company name:

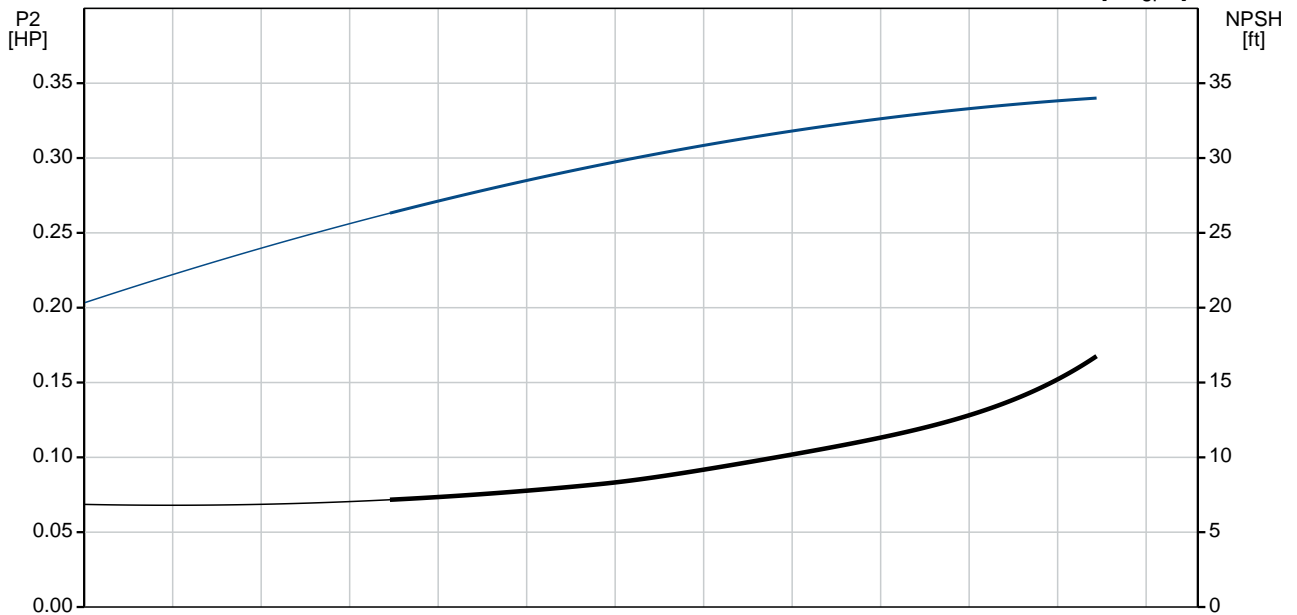
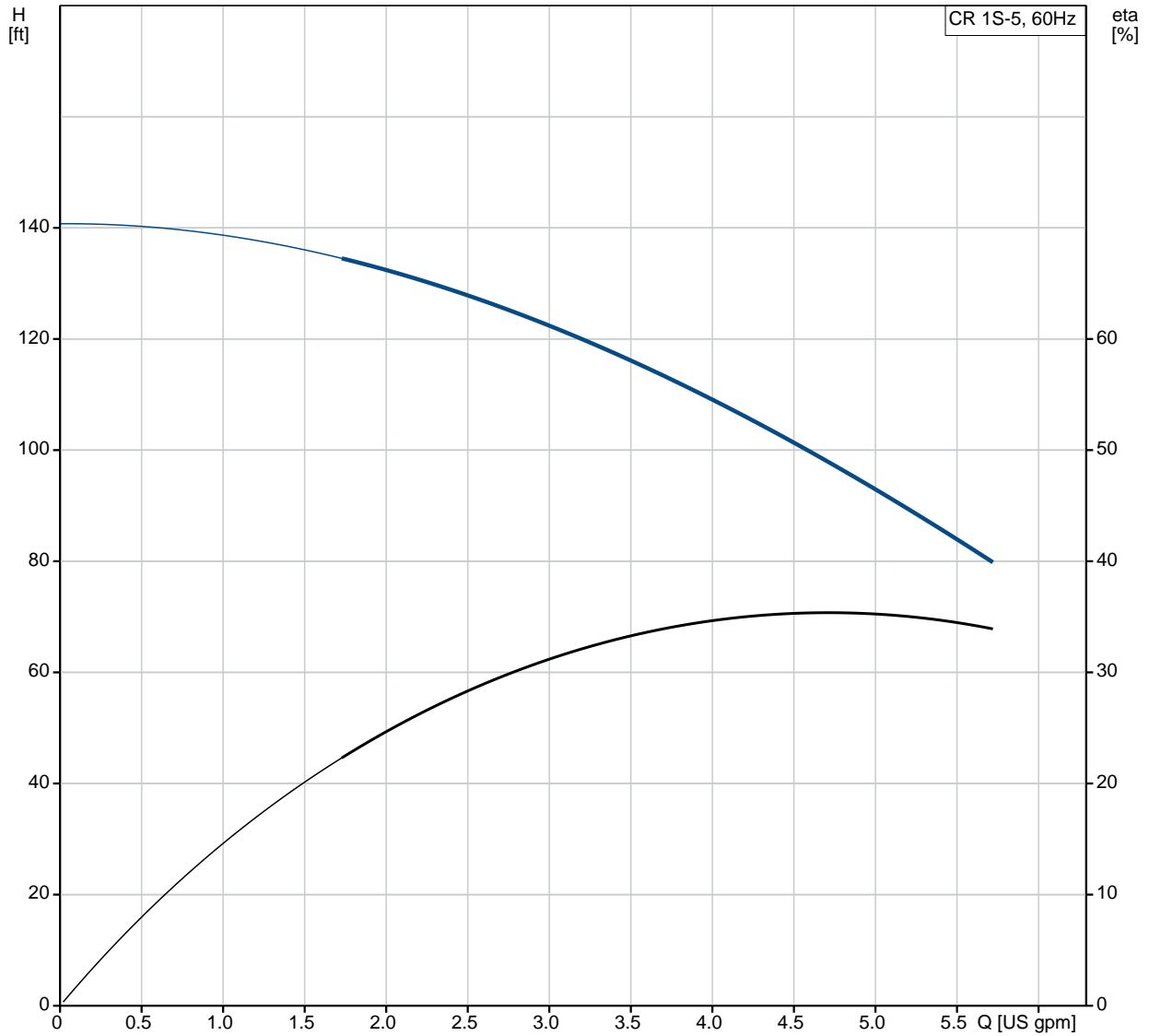
Created by:

Phone:

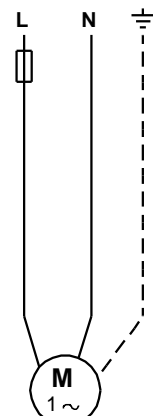
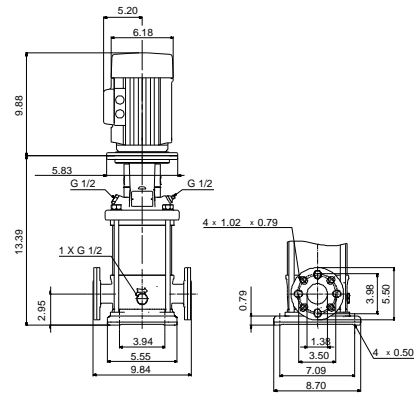
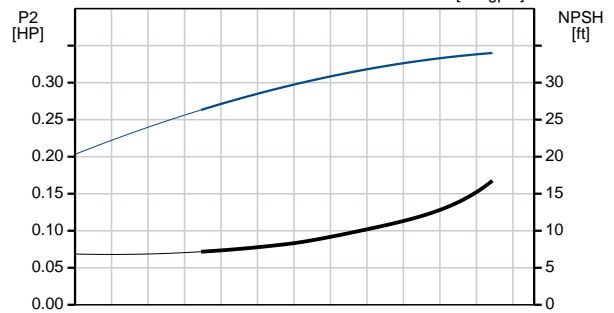
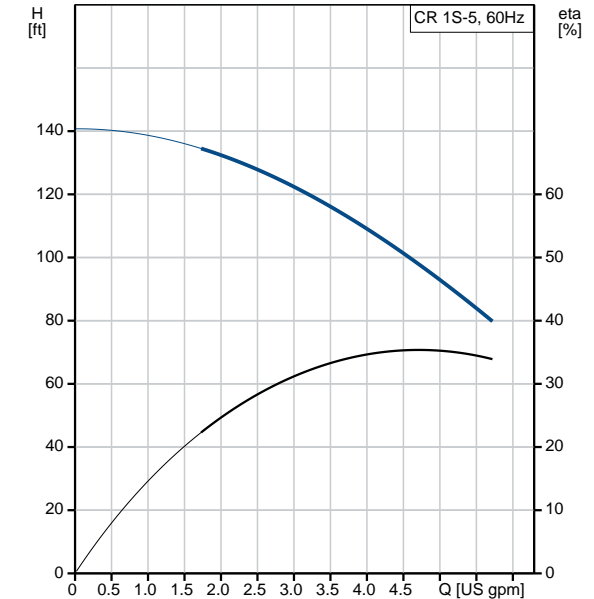
Date:

12/31/2018

96081121 CR 1S-5 A-FGJ-A-V-HQQV 60 Hz



Description	Value
General information:	
Product name:	CR 1S-5 A-FGJ-A-V-HQQV
Product No.:	96081121
EAN:	5700395155853
Technical:	
Rated pump speed:	3436 rpm
Rated flow:	4.84 US gpm
Rated head:	96.13 ft
Head max:	140.8 ft
Stages:	5
Impellers:	5
Number of reduced-diameter impellers:	0
Low NPSH:	No
Pump orientation:	Vertical
Shaft seal arrangement:	Single
Code for shaft seal:	HQQV
Approvals on nameplate:	CURUS
Curve tolerance:	ISO9906:2012 3B
Pump version:	A
Model:	A
Cooling:	TEFC
Materials:	
Base:	Cast iron EN 1561 EN-GJL-200 ASTM A48-25B
Impeller:	Stainless steel EN 1.4301 AISI 304
Material code:	A
Code for rubber:	V
Bearing:	SIC
Installation:	
Maximum ambient temperature:	104 °F
Maximum operating pressure:	363 psi
Max pressure at stated temperature:	363 psi / 194 °F 363 psi / -4 °F
Type of connection:	DIN / ANSI / JIS
Size of inlet connection:	DN 25/32
Size of suction port:	1 1/4 inch
Size of outlet connection:	DN 25/32
Size of outlet port:	1 1/4 inch
Pressure rating for pipe connection:	PN 25
Flange rating inlet:	250 lb
Flange size for motor:	56C
Connect code:	FGJ
Liquid:	
Pumped liquid:	Water
Liquid temperature range:	-4 .. 194 °F
Liquid temperature during operation:	68 °F
Density:	62.29 lb/ft ³
Electrical data:	
Motor standard:	NEMA
Motor type:	Baldor
Rated power - P2:	0.33 HP
Power (P2) required by pump:	0.33 HP
Main frequency:	60 Hz
Rated voltage:	1 x 115/230 V





Company name:

Created by:

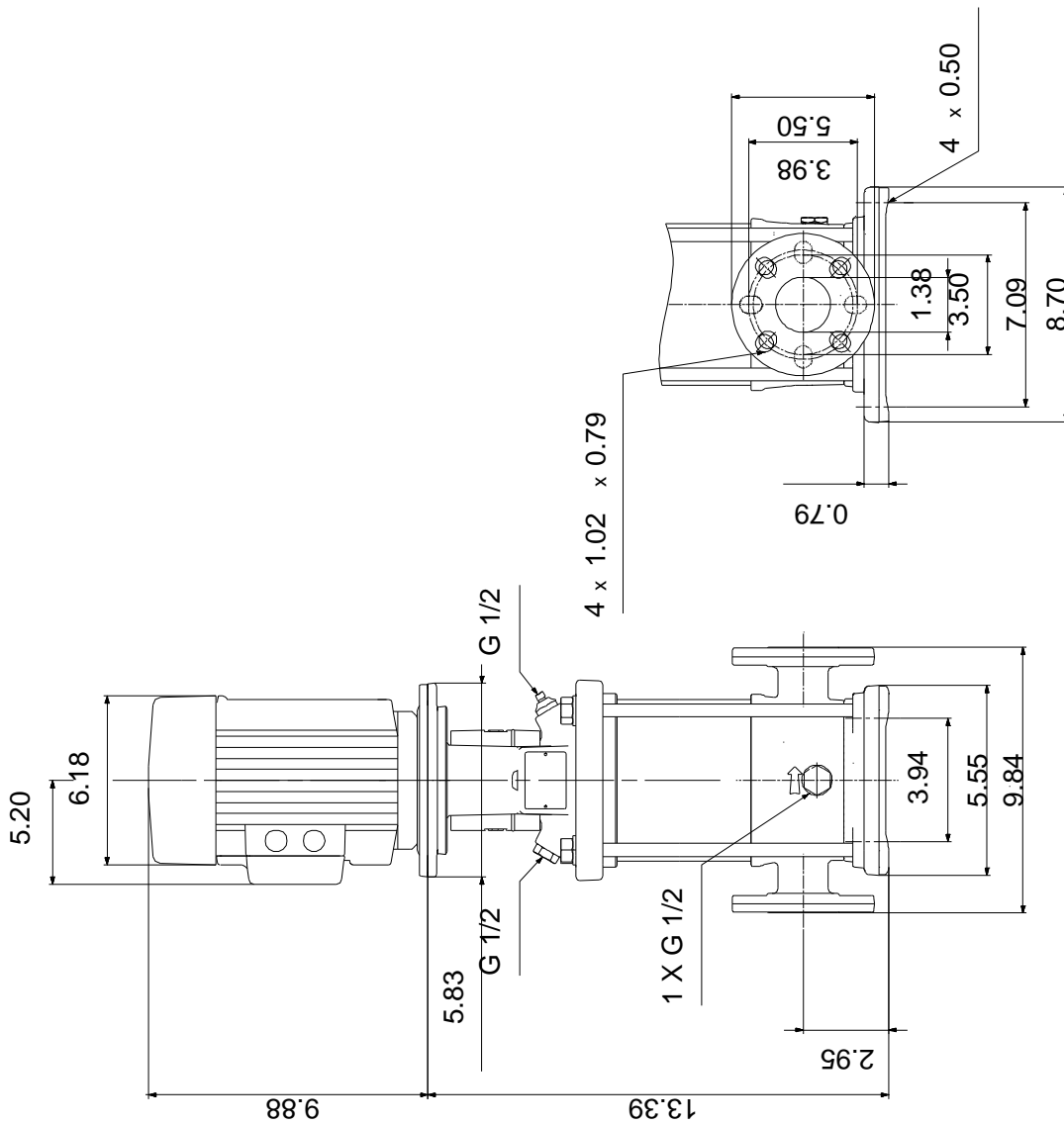
Phone:

Date:

12/31/2018

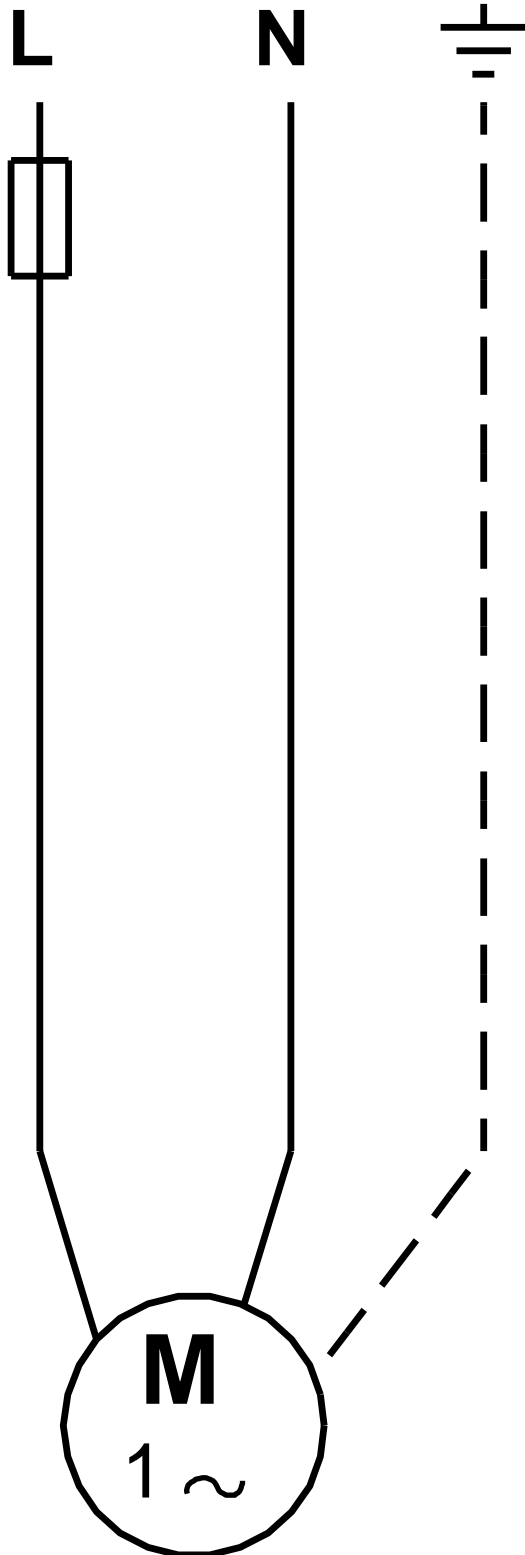
Description	Value
Service factor:	1.35
Rated current:	6.00/3.00 A
Load current:	6.8/3.4 A
Rated speed:	3450 rpm
Number of poles:	2
Insulation class (IEC 85):	B
Motor Number:	85680001
Controls:	
Frequency converter:	NONE
Others:	
Net weight:	60 lb
Gross weight:	71 lb
Shipping volume:	4.94 ft ³
Country of origin:	US
Custom tariff no.:	8413.70.2040

96081121 CR 1S-5 A-FGJ-A-V-HQQV 60 Hz



Note! All units are in [mm] unless otherwise stated.
Disclaimer: This simplified dimensional drawing does not show all details.

96081121 CR 1S-5 A-FGJ-A-V-HQQV 60 Hz



All units are [mm] unless otherwise presented.