

PROJECT: _____	UNIT TAG: _____	QUANTITY: _____
REPRESENTATIVE: _____	TYPE OF SERVICE: _____	DATE: _____
ENGINEER: _____	SUBMITTED BY: _____	DATE: _____
CONTRACTOR: _____	APPROVED BY: _____	DATE: _____
	ORDER NO.: _____	DATE: _____

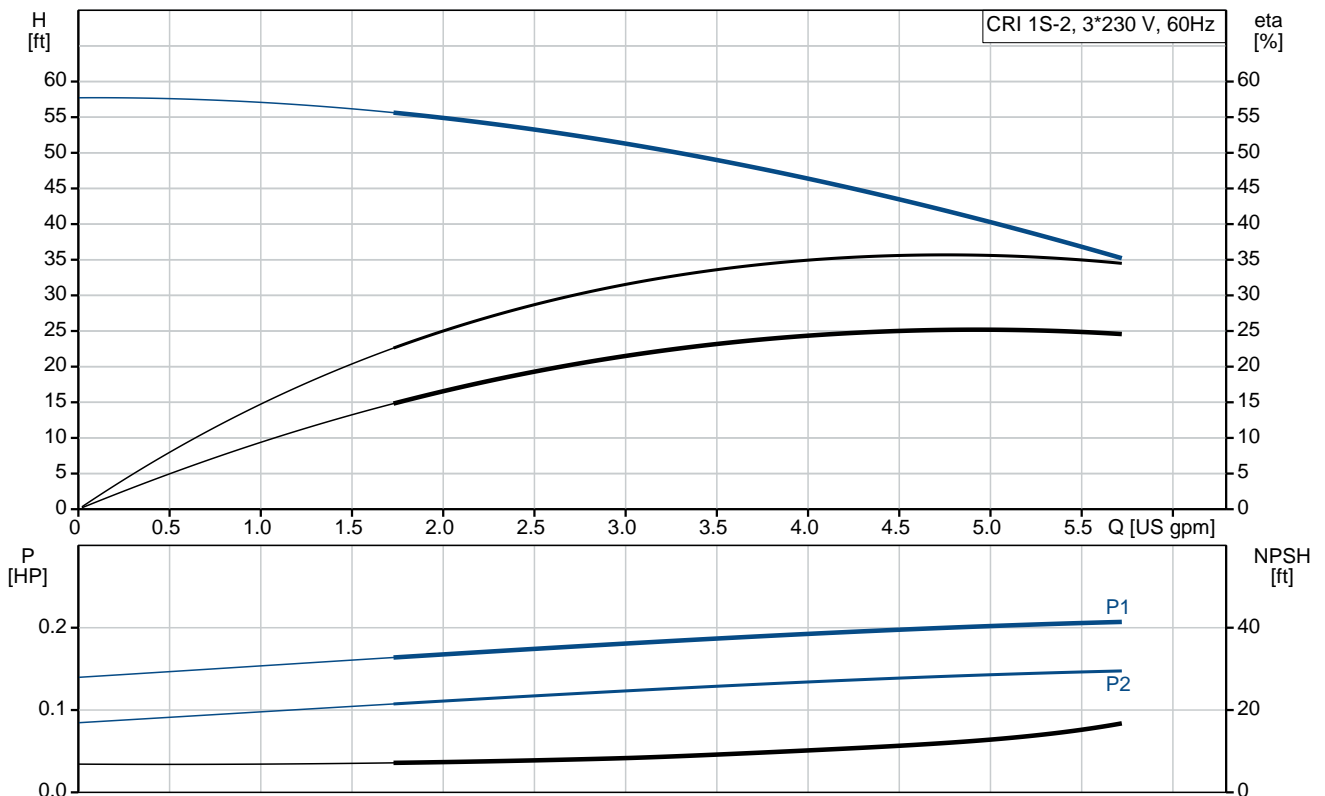


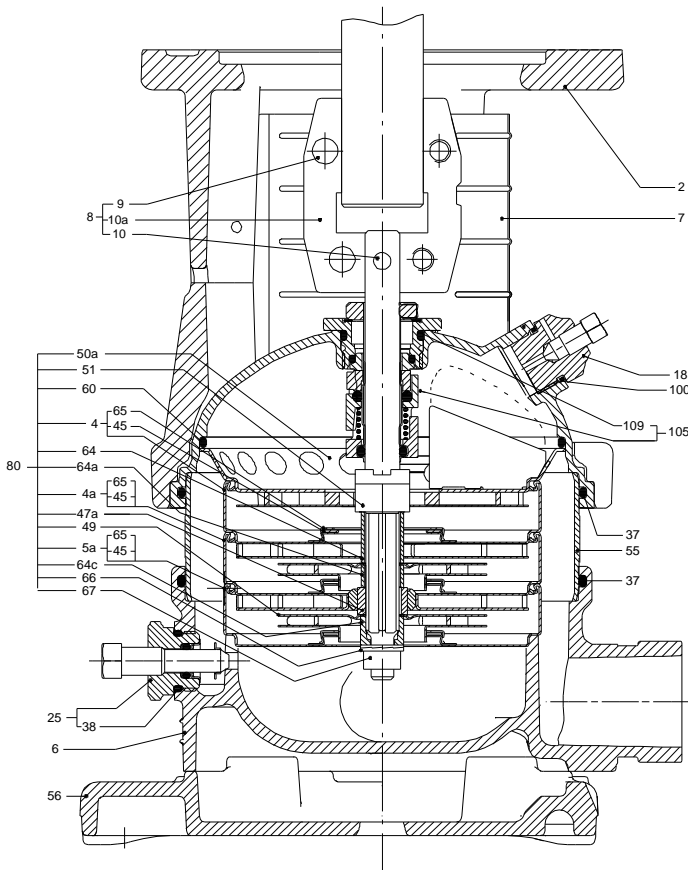
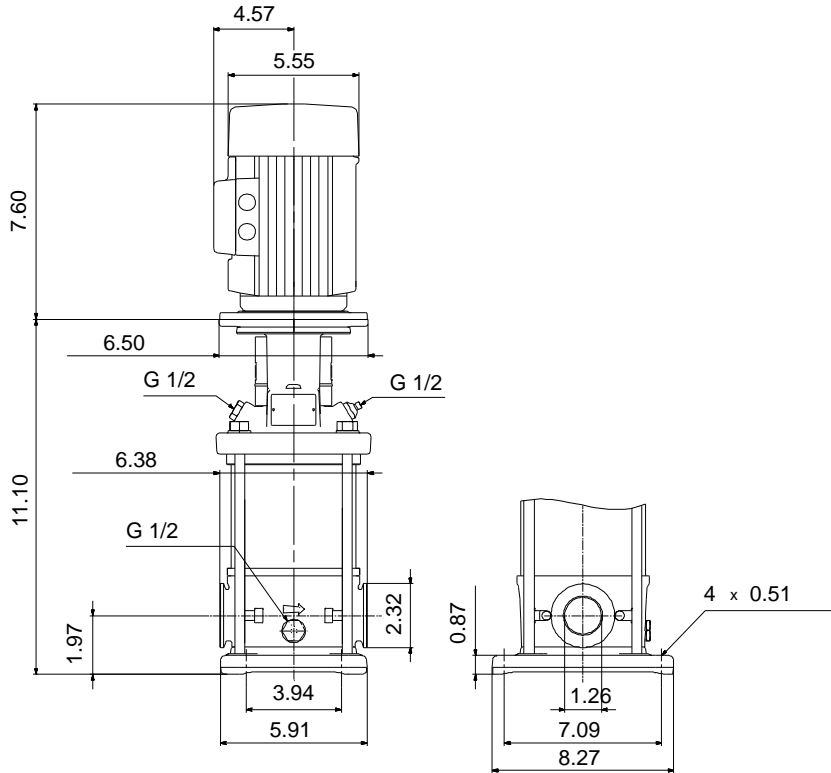
### CRI 1S-2 A-CA-A-E-HQQE

Vertical, multistage centrifugal pump with suction and discharge ports on the same level. The pump head and base are in cast iron. All wetted parts are in stainless steel (EN 1.4301) (AISI 304)

Product photo could vary from the actual product


Conditions of Service	Pump Data	Motor Data
Flow: _____	Max pressure at stated temperature: 363 psi / 250 °F	Rated power - P2: 0.33 HP
Head: _____	Liquid temperature range: -4 .. 248 °F	Rated voltage: 208-230YY/460Y V
Efficiency: _____	Maximum ambient temperature: 104 °F	Main frequency: 60 Hz
Liquid: Water	Approvals: CURUS,NSF61	Enclosure class: 55 Dust/Jetting
Temperature: 68 °F	Shaft seal: HQQE	Insulation class: F
NPSH required: ft	Product number: 96081211	Motor protection: NONE
Viscosity: _____		Motor type: 71AA
Specific Gravity: 1.000		Motor_efficiency: 78.5 %





**Materials:**

- Base: Stainless steel  
EN 1.4408  
AISI 316
- Impeller: Stainless steel  
AISI 304  
EN 1.4301
- Material code: A
- Code for rubber: E

Position	Count	Description
	1	<p><b>CRI 1S-2 A-CA-A-E-HQQE</b></p>  <p>Product No.: <a href="#">96081211</a>            Vertical, non-self-priming, multistage, in-line, centrifugal pump for installation in pipe systems and mounting on a foundation.</p> <p>The pump has the following characteristics:</p> <ul style="list-style-type: none"> <li>- Impellers, intermediate chambers and outer sleeve are made of</li> <li>- Pump head cover and base are made of</li> <li>- The shaft seal has assembly length according to EN 12756.</li> <li>- Power transmission is via cast iron split coupling flanges/couplings.</li> </ul> <p>The motor is a 3-phase AC motor.</p> <p><b>Controls:</b>            Frequency converter: NONE</p> <p><b>Liquid:</b>            Pumped liquid: Water            Liquid temperature range: -4 .. 248 °F            Liquid temperature during operation: 68 °F            Density: 62.29 lb/ft<sup>3</sup></p> <p><b>Technical:</b>            Rated pump speed: 3425 rpm            Rated flow: 4.84 US gpm            Rated head: 37.73 ft            Pump orientation: Vertical            Shaft seal arrangement: Single            Code for shaft seal: HQQE            Approvals on nameplate: CURUS,NSF61            Curve tolerance: ISO9906:2012 3B</p> <p><b>Materials:</b>            Base: Stainless steel                      EN 1.4408                      AISI 316            Impeller: Stainless steel                      EN 1.4301                      AISI 304            Bearing: SIC</p> <p><b>Installation:</b>            Maximum ambient temperature: 104 °F            Maximum operating pressure: 363 psi</p>



Company name: pfc equipment

Created by:

Phone:

Date: 12/4/2018

Position	Count	Description
		Max pressure at stated temperature: 363 psi / 250 °F 363 psi / -4 °F
		Type of connection: FlexiClamp
		Size of inlet connection: DN 32
		Size of suction port: 1 1/4 inch
		Size of outlet connection: DN 32
		Size of outlet port: 1 1/4 inch
		Pressure rating for pipe connection: PN 25
		Flange size for motor: 56C
		<b>Electrical data:</b>
		Motor standard: NEMA
		Motor type: 71AA
		Rated power - P2: 0.33 HP
		Power (P2) required by pump: 0.33 HP
		Main frequency: 60 Hz
		Rated voltage: 3 x 208-230YY/460Y V
		Service factor: 1.35
		Rated current: 1,12-1,10/0,55 A
		Starting current: 630-700 %
		Cos phi - power factor: 0.81-0.75
		Rated speed: 3450-3480 rpm
		Motor efficiency at full load: 78.5 %
		Number of poles: 2
		Enclosure class (IEC 34-5): 55 Dust/Jetting
		Insulation class (IEC 85): F
		<b>Others:</b>
		Net weight: 41.4 lb
		Gross weight: 52.4 lb
		Shipping volume: 4.94 ft³
		Country of origin: US
		Custom tariff no.: 8413.70.2040



Company name: pfc equipment

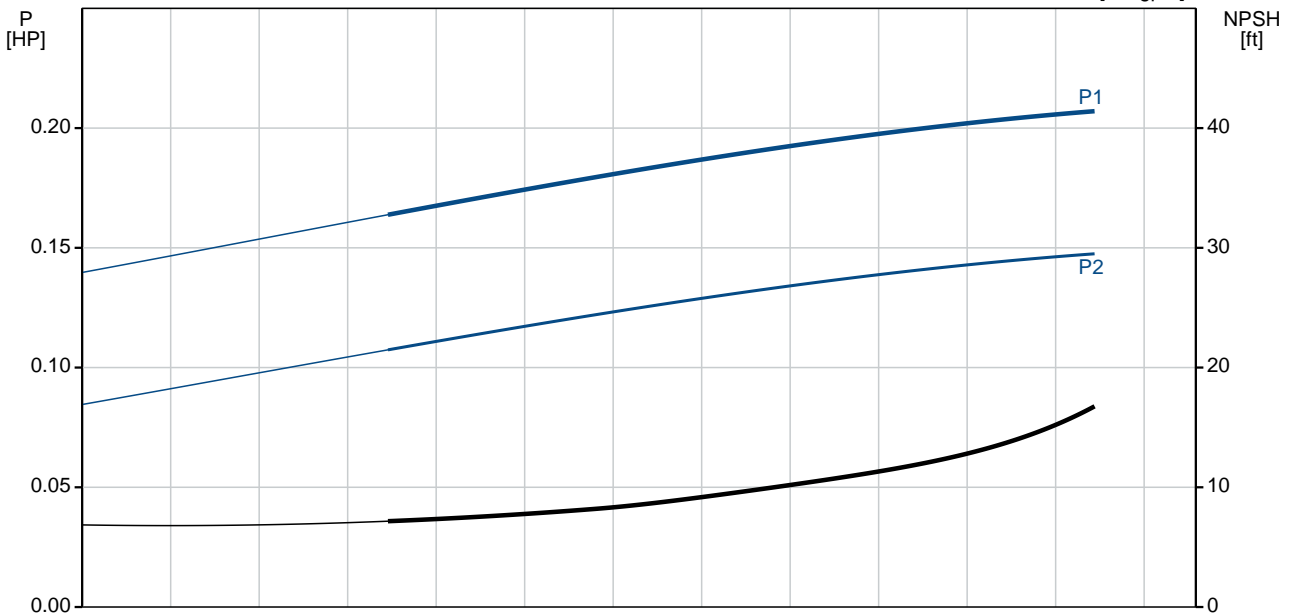
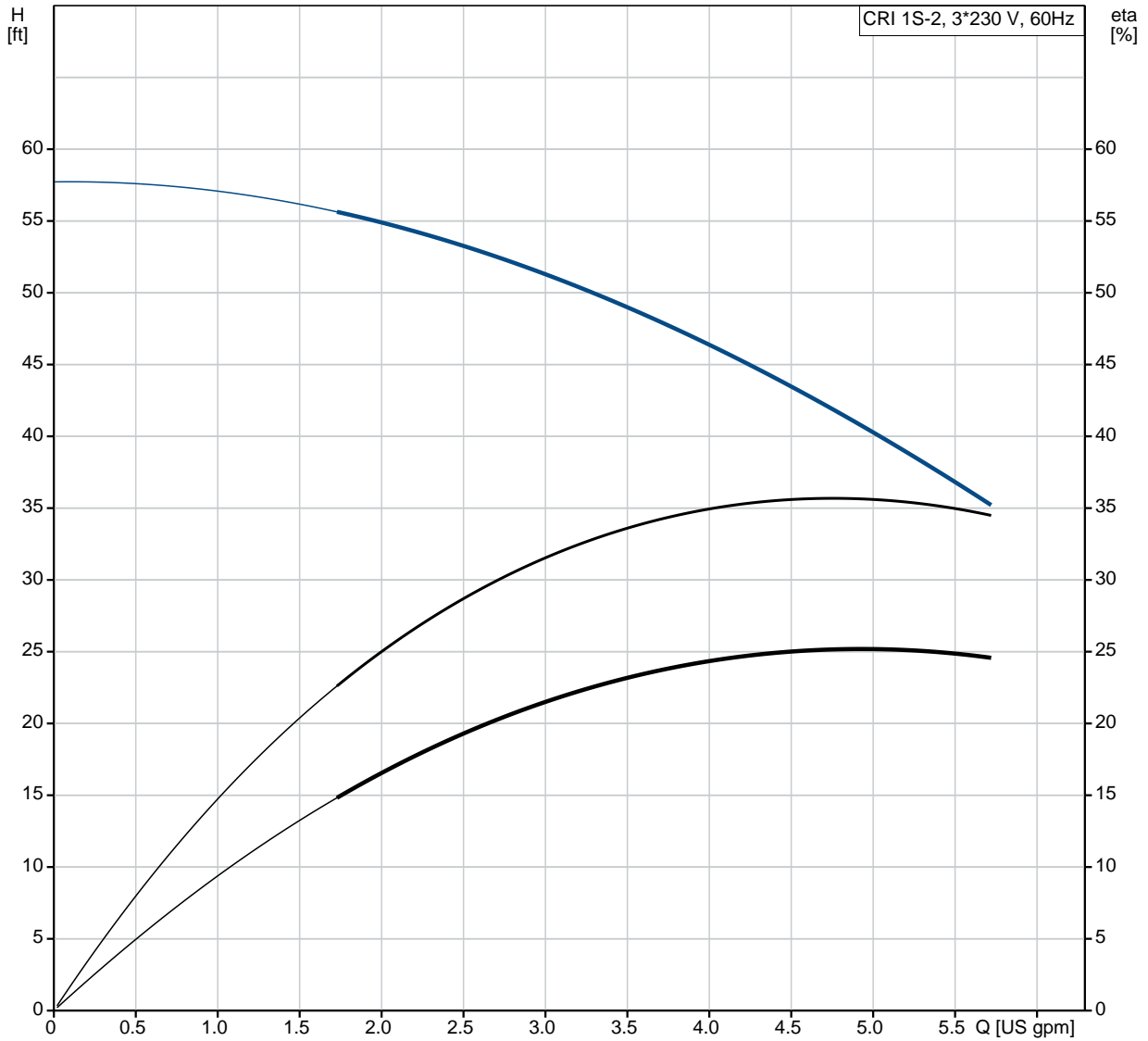
Created by:

Phone:

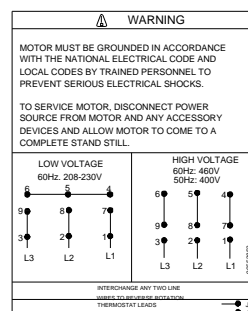
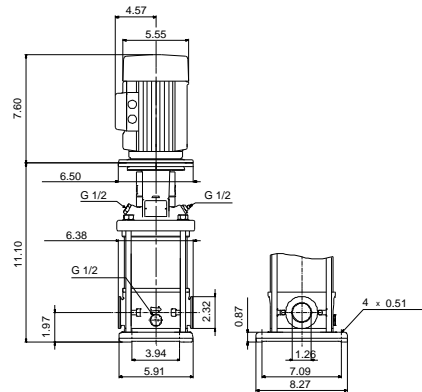
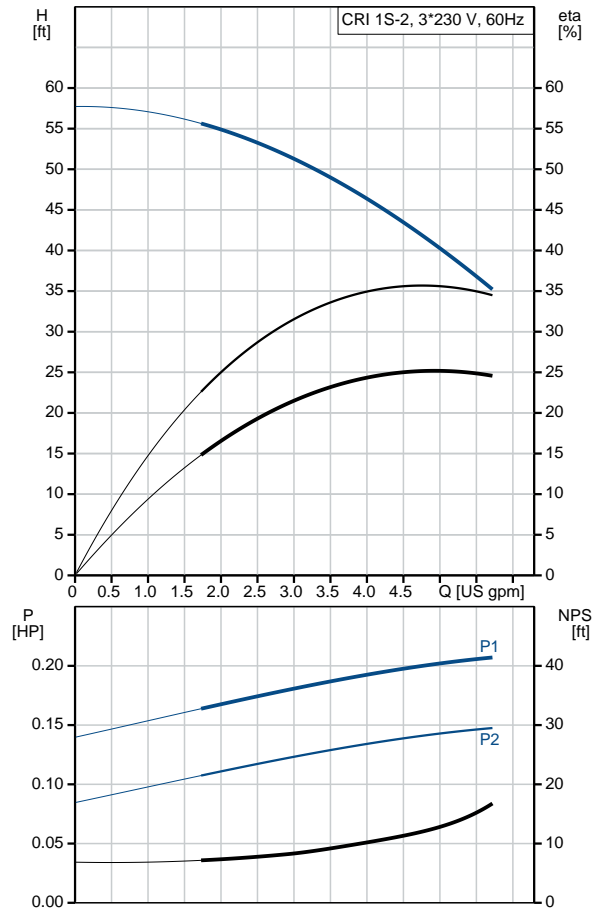
Date:

12/4/2018

### 96081211 CRI 1S-2 A-CA-A-E-HQQE 60 Hz



Description	Value
<b>General information:</b>	
Product name:	CRI 1S-2 A-CA-A-E-HQQE
Product No.:	96081211
EAN:	5700395164176
<b>Technical:</b>	
Rated pump speed:	3425 rpm
Rated flow:	4.84 US gpm
Rated head:	37.73 ft
Head max:	53.15 ft
Stages:	3
Impellers:	2
Number of reduced-diameter impellers:	0
Low NPSH:	No
Pump orientation:	Vertical
Shaft seal arrangement:	Single
Code for shaft seal:	HQQE
Approvals on nameplate:	CURUS,NSF61
Curve tolerance:	ISO9906:2012 3B
Pump version:	A
Model:	A
Cooling:	TEFC
<b>Materials:</b>	
Base:	Stainless steel EN 1.4408 AISI 316
Impeller:	Stainless steel EN 1.4301 AISI 304
Material code:	A
Code for rubber:	E
Bearing:	SIC
<b>Installation:</b>	
Maximum ambient temperature:	104 °F
Maximum operating pressure:	363 psi
Max pressure at stated temperature:	363 psi / 250 °F 363 psi / -4 °F
Type of connection:	FlexiClamp
Size of inlet connection:	DN 32
Size of suction port:	1 1/4 inch
Size of outlet connection:	DN 32
Size of outlet port:	1 1/4 inch
Pressure rating for pipe connection:	PN 25
Flange size for motor:	56C
Connect code:	CA
<b>Liquid:</b>	
Pumped liquid:	Water
Liquid temperature range:	-4 .. 248 °F
Liquid temperature during operation:	68 °F
Density:	62.29 lb/ft <sup>3</sup>
<b>Electrical data:</b>	
Motor standard:	NEMA
Motor type:	71AA
Rated power - P1:	0.33 HP
Power (P2) required by pump:	0.33 HP
Main frequency:	60 Hz
Rated voltage:	3 x 208-230YY/460Y V
Service factor:	1.35





Company name: pfc equipment

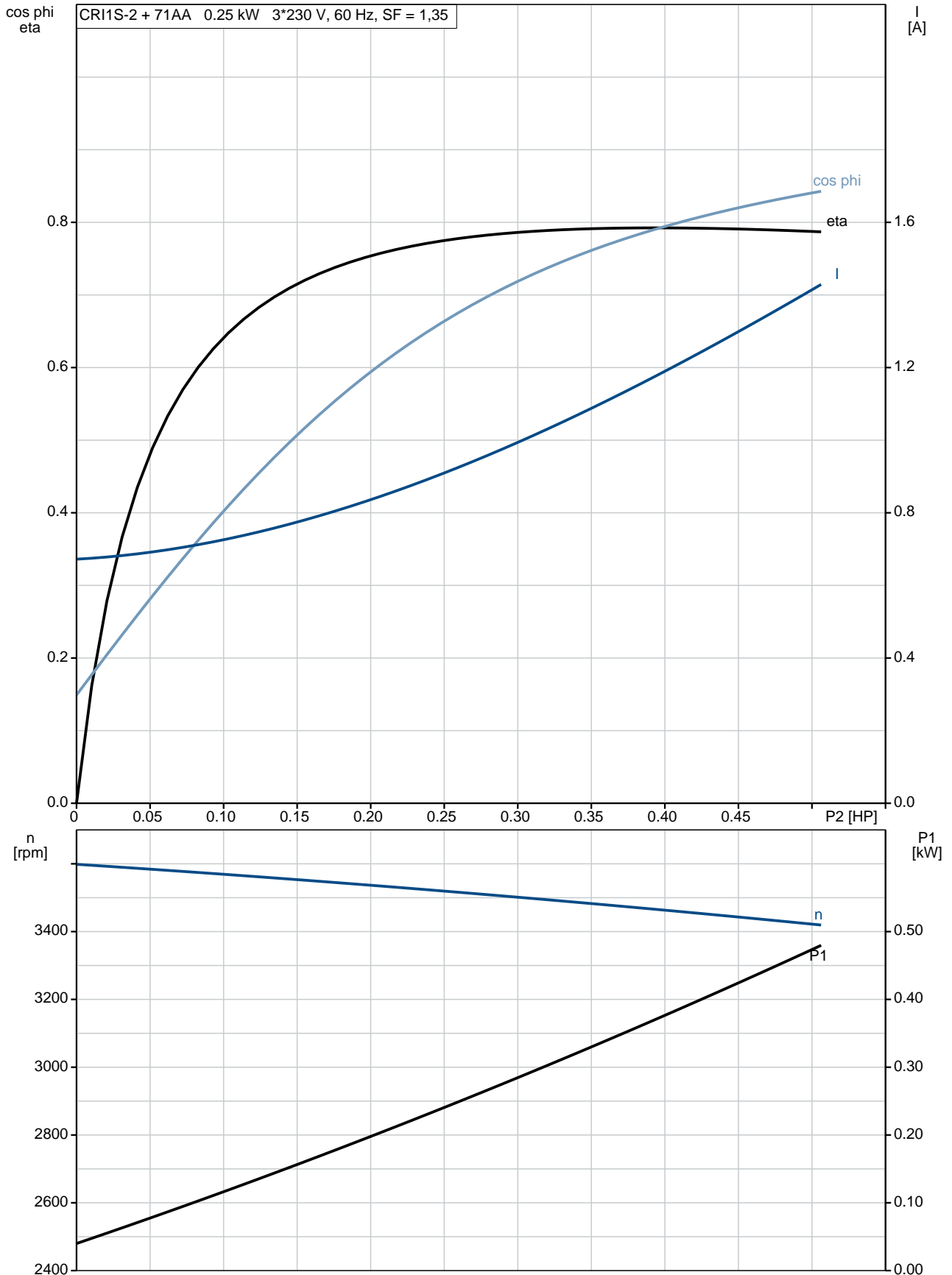
Created by:

Phone:

Date: 12/4/2018

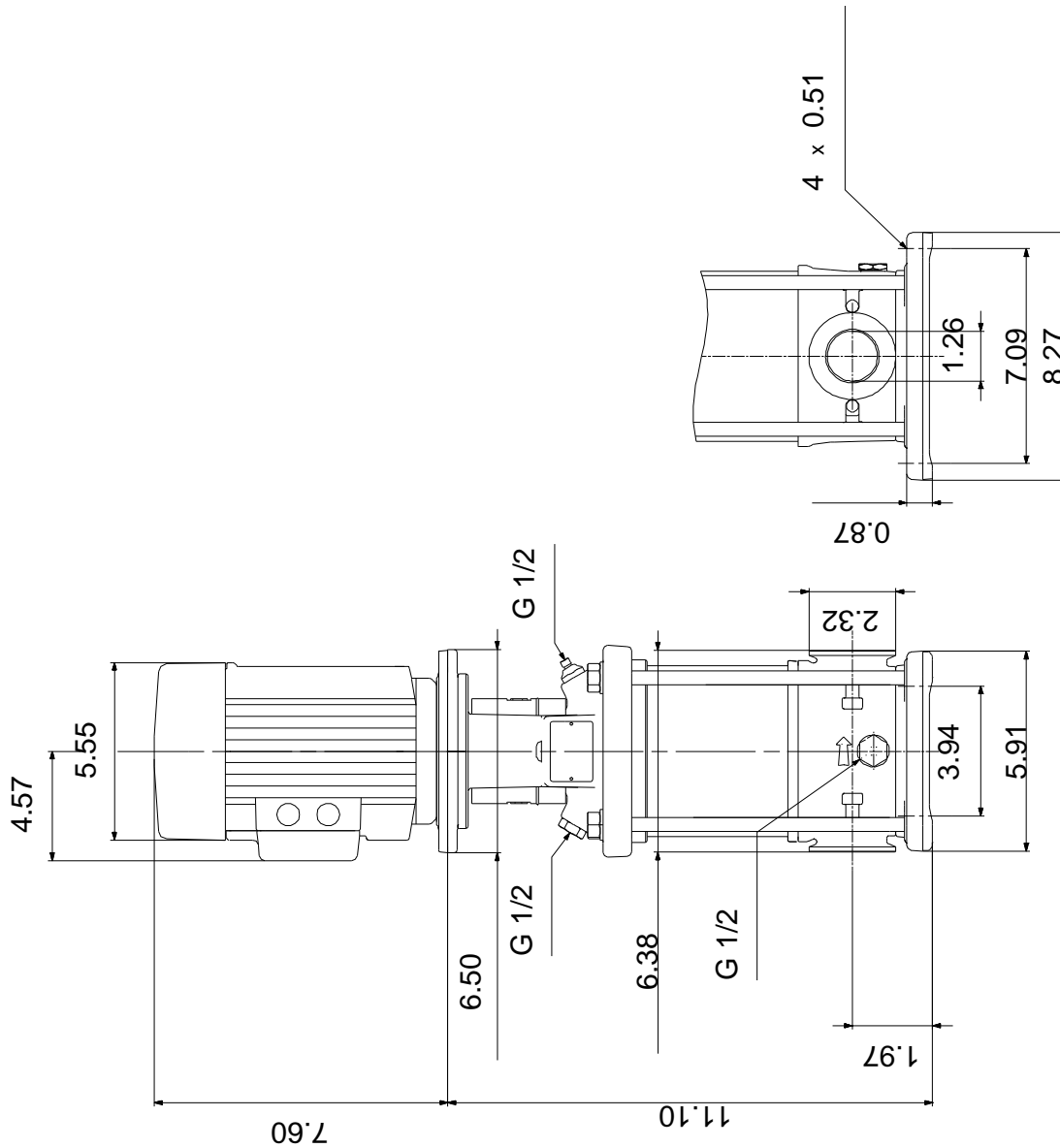
Description	Value
Rated current:	1,12-1,10/0,55 A
Starting current:	630-700 %
Load current:	1,5-1,45/0,75 A
Cos phi - power factor:	0.81-0.75
Rated speed:	3450-3480 rpm
Motor efficiency at full load:	78.5 %
Number of poles:	2
Enclosure class (IEC 34-5):	55 Dust/Jetting
Insulation class (IEC 85):	F
Motor protection:	NONE
Motor Number:	85900700
<b>Controls:</b>	
Frequency converter:	NONE
<b>Others:</b>	
Net weight:	41.4 lb
Gross weight:	52.4 lb
Shipping volume:	4.94 ft <sup>3</sup>
Country of origin:	US
Custom tariff no.:	8413.70.2040

## 96081211 CRI 1S-2 A-CA-A-E-HQQE 60 Hz





## 96081211 CRI 1S-2 A-CA-A-E-HQQE 60 Hz



Note! All units are in [mm] unless otherwise stated.  
 Disclaimer: This simplified dimensional drawing does not show all details.

## 96081211 CRI 1S-2 A-CA-A-E-HQQE 60 Hz

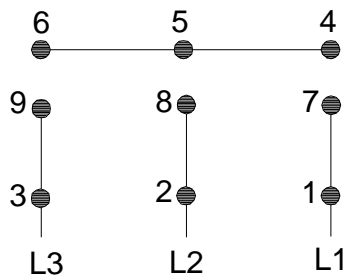


### WARNING

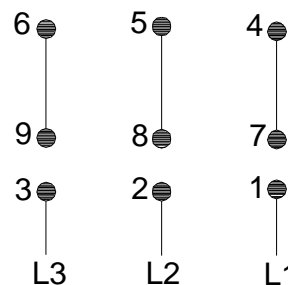
MOTOR MUST BE GROUNDED IN ACCORDANCE WITH THE NATIONAL ELECTRICAL CODE AND LOCAL CODES BY TRAINED PERSONNEL TO PREVENT SERIOUS ELECTRICAL SHOCKS.

TO SERVICE MOTOR, DISCONNECT POWER SOURCE FROM MOTOR AND ANY ACCESSORY DEVICES AND ALLOW MOTOR TO COME TO A COMPLETE STAND STILL.

#### LOW VOLTAGE 60Hz. 208-230V



#### HIGH VOLTAGE 60Hz: 460V 50Hz: 400V



96553852

INTERCHANGE ANY TWO LINE WIRES TO REVERSE ROTATION  
THERMOSTAT LEADS  
(WHEN PROVIDED)

