

PROJECT: _____	UNIT TAG: _____	QUANTITY: _____
REPRESENTATIVE: _____	TYPE OF SERVICE: _____	DATE: _____
ENGINEER: _____	SUBMITTED BY: _____	DATE: _____
CONTRACTOR: _____	APPROVED BY: _____	DATE: _____
	ORDER NO.: _____	DATE: _____

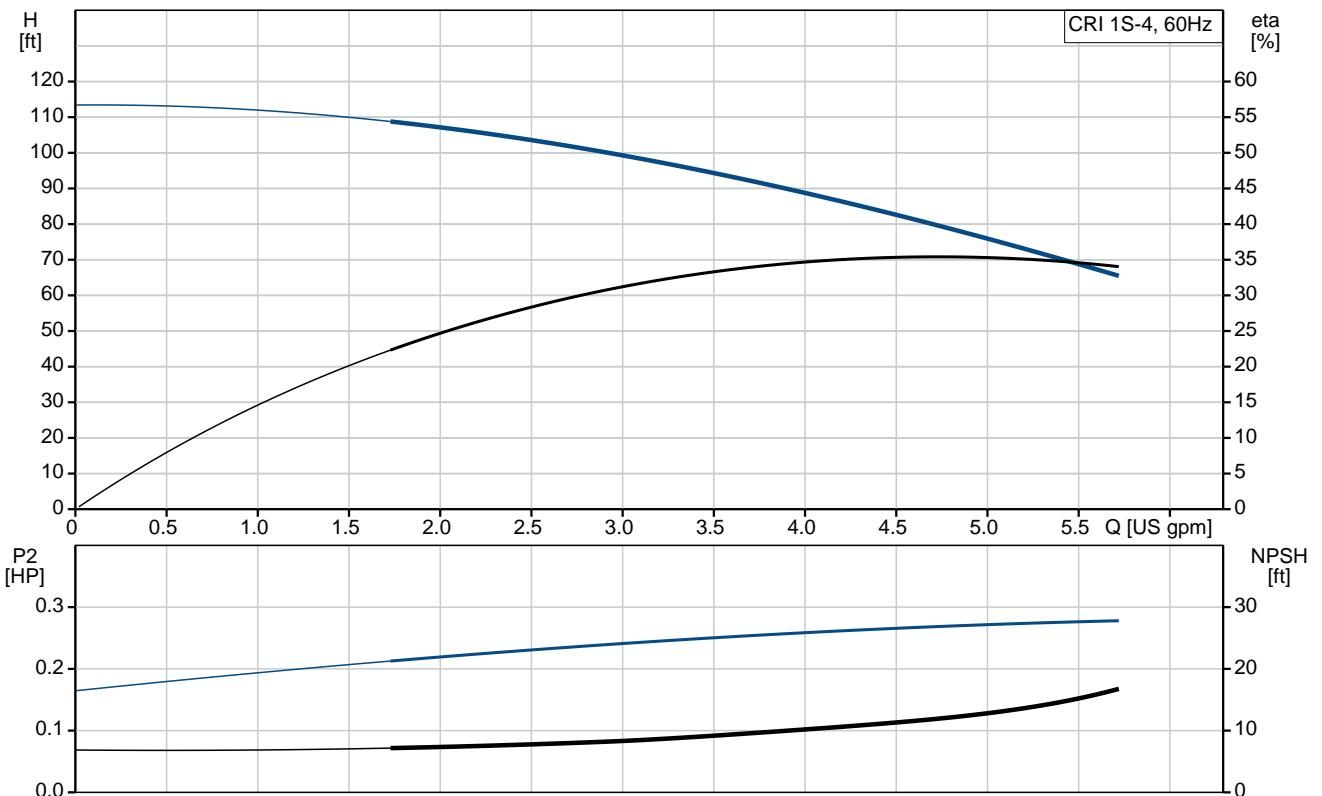


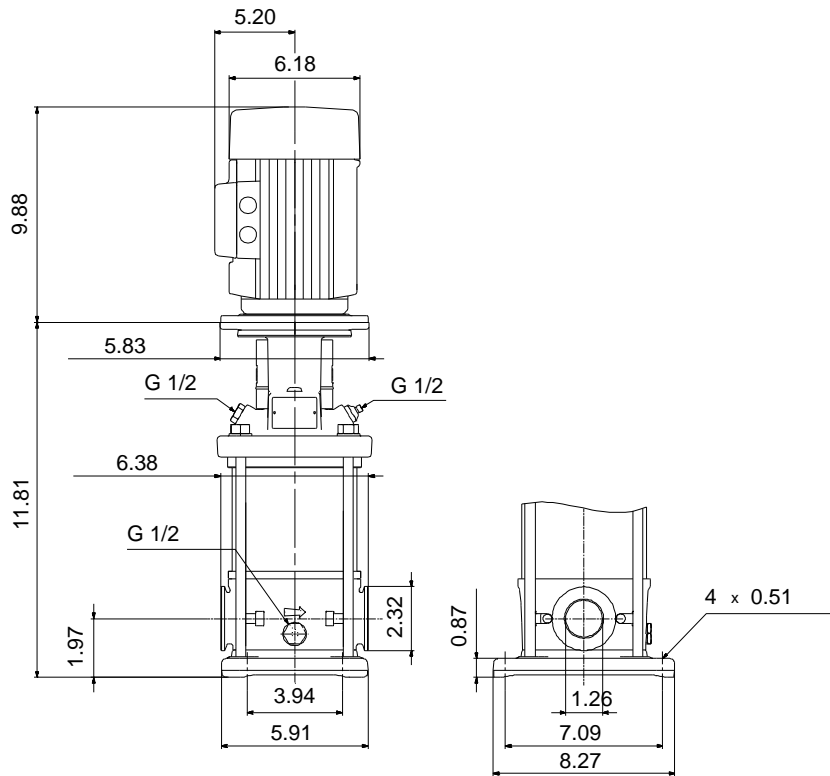
CRI 1S-4 A-CA-A-E-HQQE

Vertical, multistage centrifugal pump with suction and discharge ports on the same level. The pump head and base are in cast iron. All wetted parts are in stainless steel (EN 1.4301) (AISI 304)

Product photo could vary from the actual product


Conditions of Service	Pump Data	Motor Data
Flow: _____	Max pressure at stated temperature: 363 psi / 250 °F	Rated power - P2: 0.33 HP
Head: _____	Liquid temperature range: -4 .. 248 °F	Rated voltage: 115/230 V
Efficiency: _____	Maximum ambient temperature: 104 °F	Main frequency: 60 Hz
Liquid: Water	Approvals: CURUS,NSF61	Insulation class: B
Temperature: 68 °F	Shaft seal: HQQE	Motor type: Baldor
NPSH required: ft	Product number: 96081214	
Viscosity: _____		
Specific Gravity: 1.000		





Materials:

Base:	Stainless steel EN 1.4408 AISI 316
Impeller:	Stainless steel AISI 304 EN 1.4301
Material code:	A
Code for rubber:	E

Count	Description
1	<p data-bbox="225 338 531 367">CRI 1S-4 A-CA-A-E-HQQE</p>  <p data-bbox="225 663 491 689">Product No.: 96081214</p> <p data-bbox="225 692 748 779">Vertical, non-self-priming, multistage, in-line, centrifugal pump for installation in pipe systems and mounting on a foundation.</p> <p data-bbox="225 808 703 837">The pump has the following characteristics:</p> <ul data-bbox="264 840 782 1016" style="list-style-type: none"> - Impellers, intermediate chambers and outer sleeve are made of - Pump head cover and base are made of - The shaft seal has assembly length according to EN 12756. - Power transmission is via cast iron split coupling. <p data-bbox="225 1048 424 1077">flanges/couplings.</p> <p data-bbox="225 1108 600 1137">The motor is a 1-phase AC motor.</p> <p data-bbox="225 1167 336 1196">Controls:</p> <p data-bbox="225 1198 660 1227">Frequency converter: NONE</p> <p data-bbox="225 1256 312 1285">Liquid:</p> <p data-bbox="225 1288 660 1317">Pumped liquid: Water</p> <p data-bbox="225 1319 715 1348">Liquid temperature range: -4 .. 248 °F</p> <p data-bbox="225 1350 708 1379">Liquid temperature during operation: 68 °F</p> <p data-bbox="225 1382 708 1411">Density: 62.29 lb/ft³</p> <p data-bbox="225 1440 352 1469">Technical:</p> <p data-bbox="225 1471 695 1500">Rated pump speed: 3436 rpm</p> <p data-bbox="225 1503 735 1532">Rated flow: 4.84 US gpm</p> <p data-bbox="225 1534 676 1563">Rated head: 77.76 ft</p> <p data-bbox="225 1565 676 1594">Pump orientation: Vertical</p> <p data-bbox="225 1597 660 1626">Shaft seal arrangement: Single</p> <p data-bbox="225 1628 660 1657">Code for shaft seal: HQQE</p> <p data-bbox="225 1659 759 1688">Approvals on nameplate: CURUS,NSF61</p> <p data-bbox="225 1691 788 1720">Curve tolerance: ISO9906:2012 3B</p> <p data-bbox="225 1749 344 1778">Materials:</p> <p data-bbox="225 1780 751 1850">Base: Stainless steel EN 1.4408 AISI 316</p> <p data-bbox="225 1852 751 1944">Impeller: Stainless steel EN 1.4301 AISI 304</p> <p data-bbox="225 1946 632 1975">Bearing: SIC</p> <p data-bbox="225 2004 368 2033">Installation:</p> <p data-bbox="225 2036 663 2065">Maximum ambient temperature: 104 °F</p> <p data-bbox="225 2067 671 2096">Maximum operating pressure: 363 psi</p>



Company name: pfc equipment

Created by:

Phone:

Date: 12/18/2018

Count	Description
	Max pressure at stated temperature: 363 psi / 250 °F 363 psi / -4 °F
	Type of connection: FlexiClamp
	Size of inlet connection: DN 32
	Size of suction port: 1 1/4 inch
	Size of outlet connection: DN 32
	Size of outlet port: 1 1/4 inch
	Pressure rating for pipe connection: PN 25
	Flange size for motor: 56C
	Electrical data:
	Motor standard: NEMA
	Motor type: Baldor
	Rated power - P2: 0.33 HP
	Power (P2) required by pump: 0.33 HP
	Main frequency: 60 Hz
	Rated voltage: 1 x 115/230 V
	Service factor: 1.35
	Rated current: 6.00/3.00 A
	Rated speed: 3450 rpm
	Number of poles: 2
	Insulation class (IEC 85): B
	Others:
	Net weight: 44.7 lb
	Gross weight: 55.7 lb
	Shipping volume: 4.94 ft ³
	Country of origin: US
	Custom tariff no.: 8413.70.2040



Company name: pfc equipment

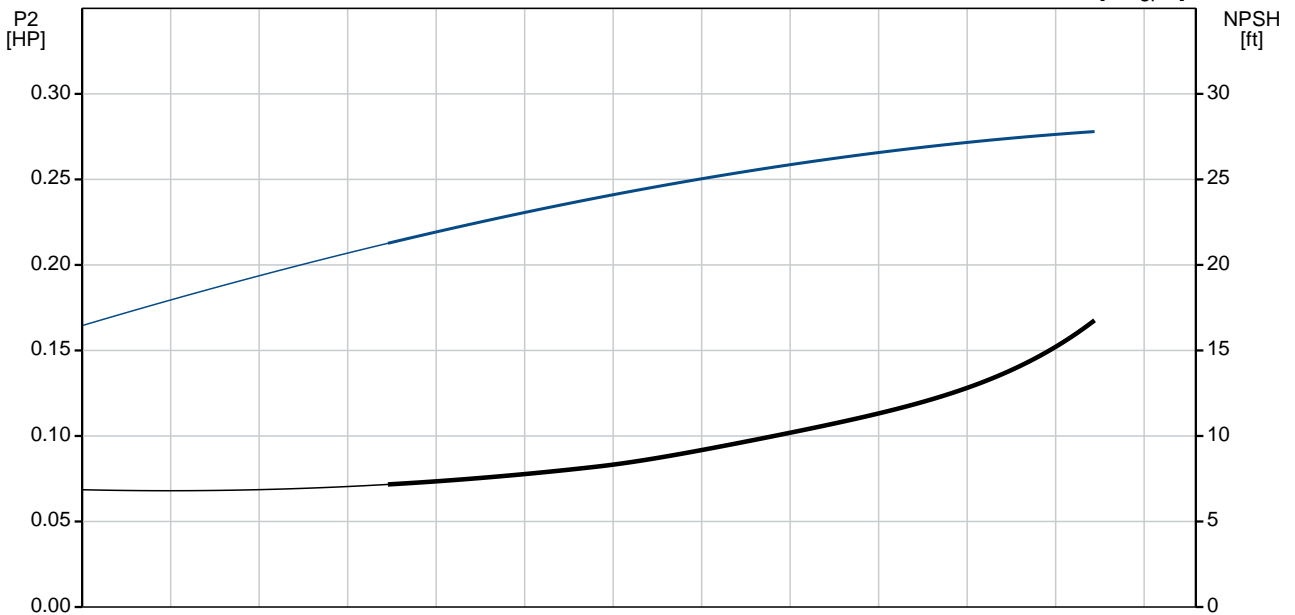
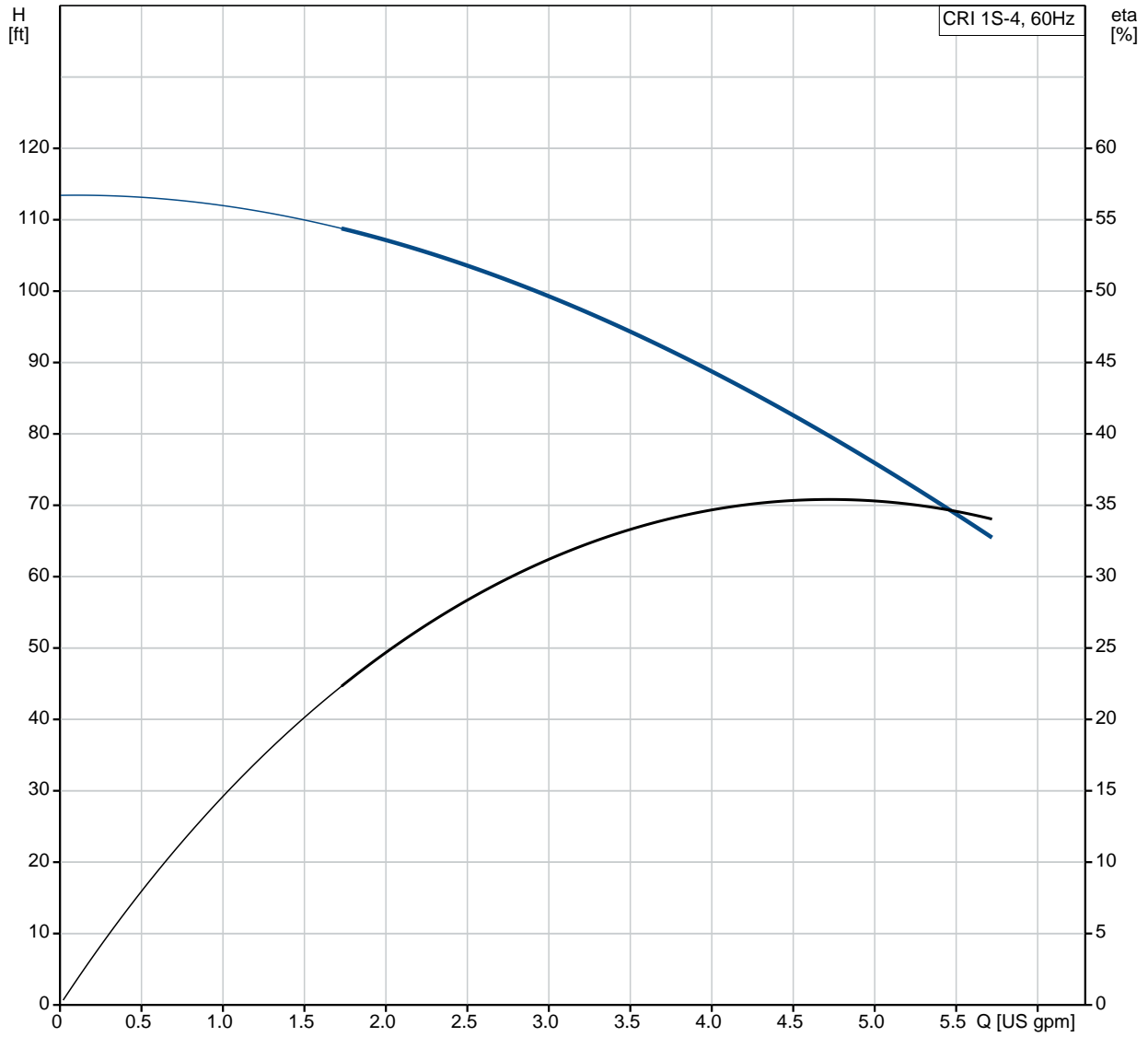
Created by:

Phone:

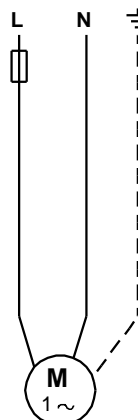
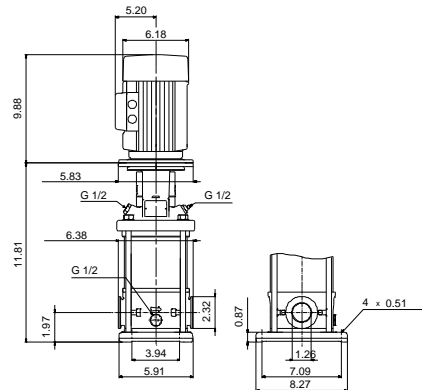
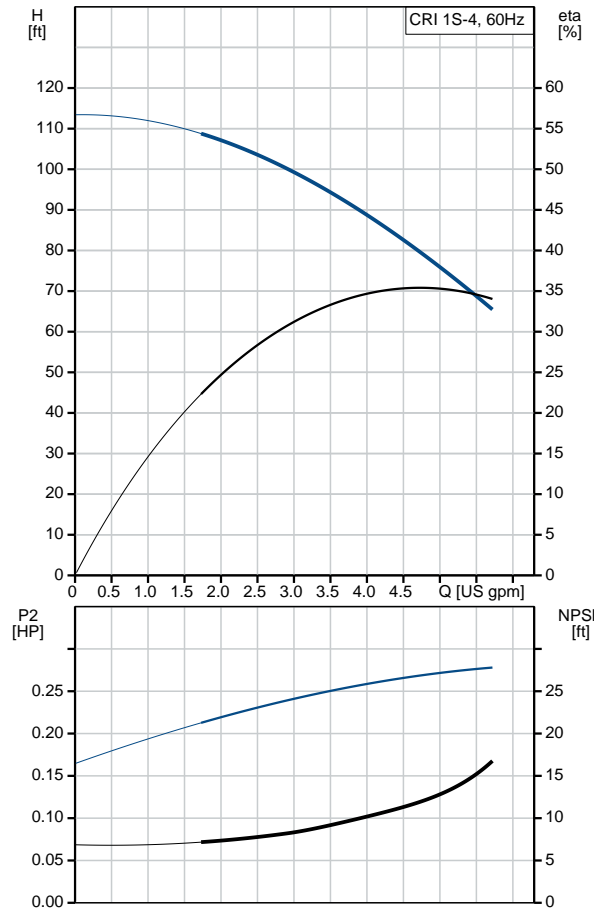
Date:

12/18/2018

96081214 CRI 1S-4 A-CA-A-E-HQQE 60 Hz



Description	Value
General information:	
Product name:	CRI 1S-4 A-CA-A-E-HQQE
Product No.:	96081214
EAN:	5700395164206
Technical:	
Rated pump speed:	3436 rpm
Rated flow:	4.84 US gpm
Rated head:	77.76 ft
Head max:	113.2 ft
Stages:	4
Impellers:	4
Number of reduced-diameter impellers:	0
Low NPSH:	No
Pump orientation:	Vertical
Shaft seal arrangement:	Single
Code for shaft seal:	HQQE
Approvals on nameplate:	CURUS,NSF61
Curve tolerance:	ISO9906:2012 3B
Pump version:	A
Model:	A
Cooling:	TEFC
Materials:	
Base:	Stainless steel EN 1.4408 AISI 316
Impeller:	Stainless steel EN 1.4301 AISI 304
Material code:	A
Code for rubber:	E
Bearing:	SIC
Installation:	
Maximum ambient temperature:	104 °F
Maximum operating pressure:	363 psi
Max pressure at stated temperature:	363 psi / 250 °F 363 psi / -4 °F
Type of connection:	FlexiClamp
Size of inlet connection:	DN 32
Size of suction port:	1 1/4 inch
Size of outlet connection:	DN 32
Size of outlet port:	1 1/4 inch
Pressure rating for pipe connection:	PN 25
Flange size for motor:	56C
Connect code:	CA
Liquid:	
Pumped liquid:	Water
Liquid temperature range:	-4 .. 248 °F
Liquid temperature during operation:	68 °F
Density:	62.29 lb/ft³
Electrical data:	
Motor standard:	NEMA
Motor type:	Baldor
Rated power - P2:	0.33 HP
Power (P2) required by pump:	0.33 HP
Main frequency:	60 Hz
Rated voltage:	1 x 115/230 V
Service factor:	1.35





Company name: pfc equipment

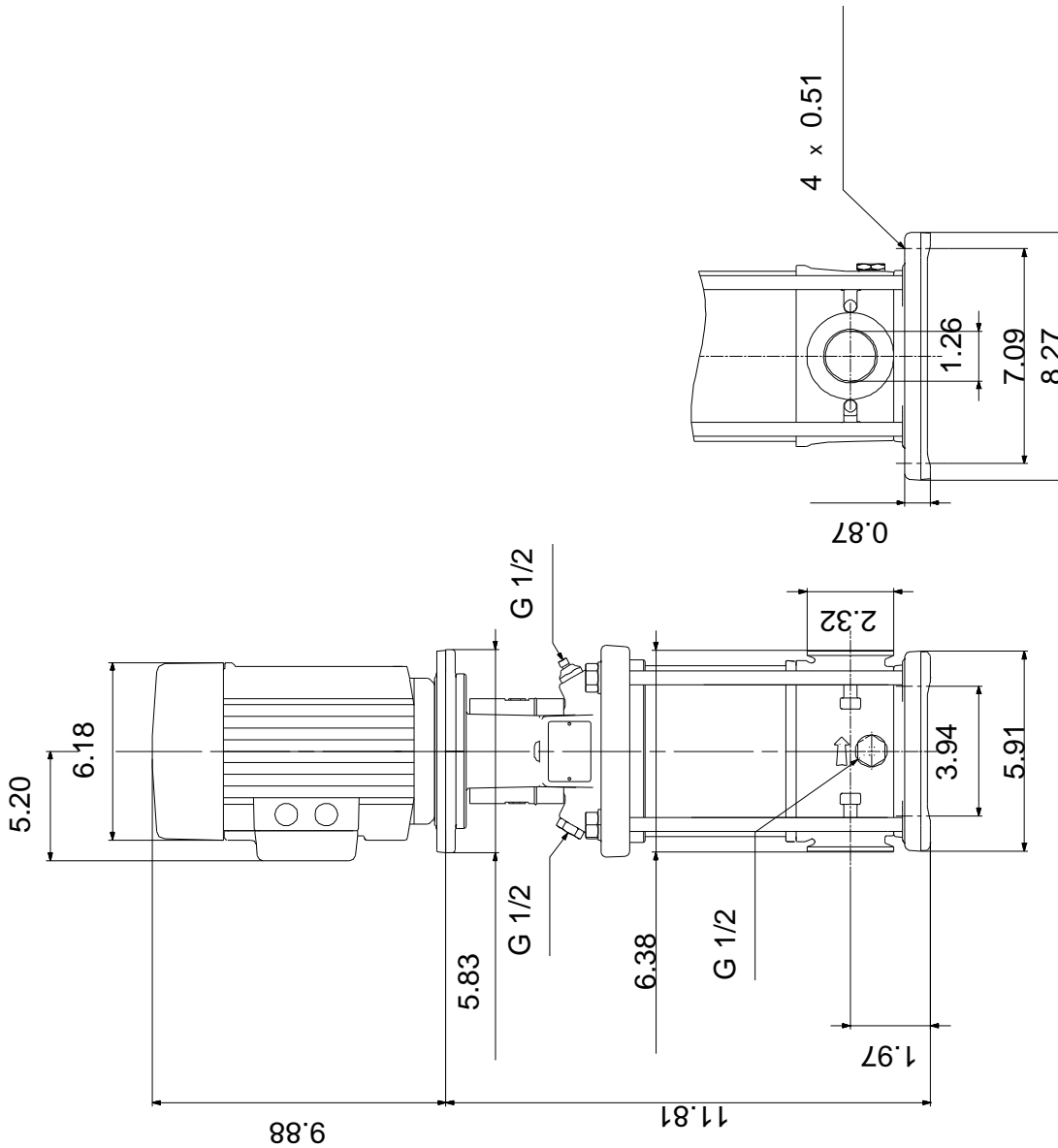
Created by:

Phone:

Date: 12/18/2018

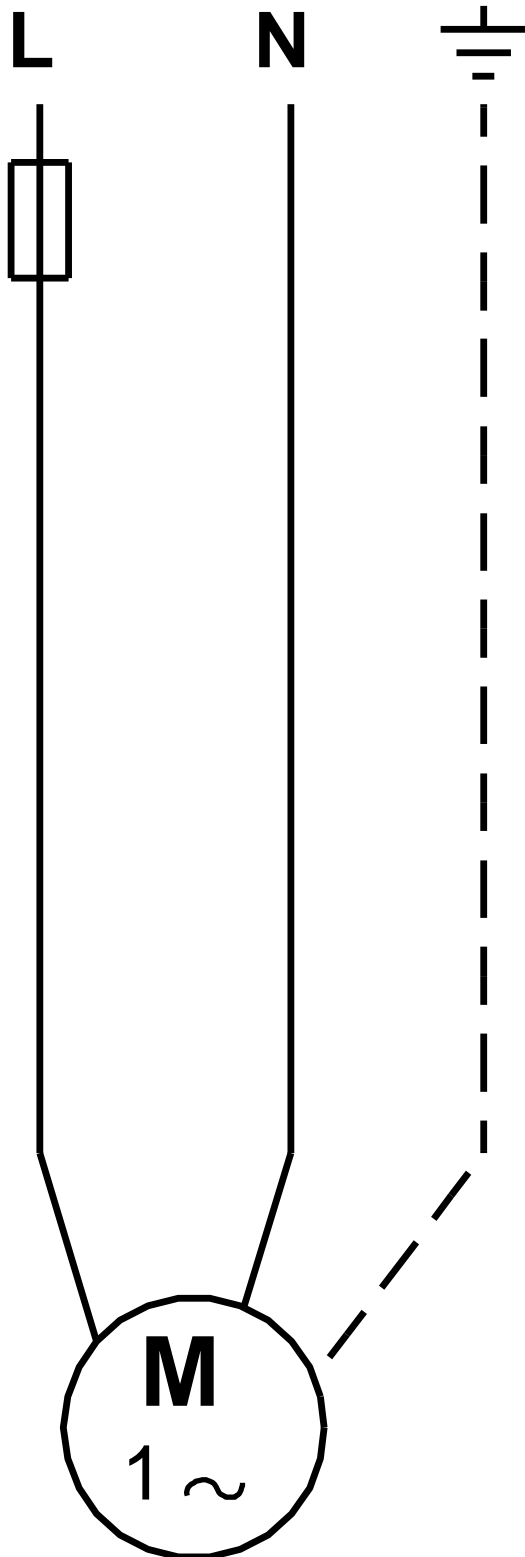
Description	Value
Rated current:	6.00/3.00 A
Load current:	6.8/3.4 A
Rated speed:	3450 rpm
Number of poles:	2
Insulation class (IEC 85):	B
Motor Number:	85680001
Controls:	
Frequency converter:	NONE
Others:	
Net weight:	44.7 lb
Gross weight:	55.7 lb
Shipping volume:	4.94 ft ³
Country of origin:	US
Custom tariff no.:	8413.70.2040

96081214 CRI 1S-4 A-CA-A-E-HQQE 60 Hz



Note! All units are in [mm] unless otherwise stated.
Disclaimer: This simplified dimensional drawing does not show all details.

96081214 CRI 1S-4 A-CA-A-E-HQQE 60 Hz



All units are [mm] unless otherwise presented.