

PROJECT: _____	UNIT TAG: _____	QUANTITY: _____
REPRESENTATIVE: _____	TYPE OF SERVICE: _____	DATE: _____
ENGINEER: _____	SUBMITTED BY: _____	DATE: _____
CONTRACTOR: _____	APPROVED BY: _____	DATE: _____
	ORDER NO.: _____	DATE: _____

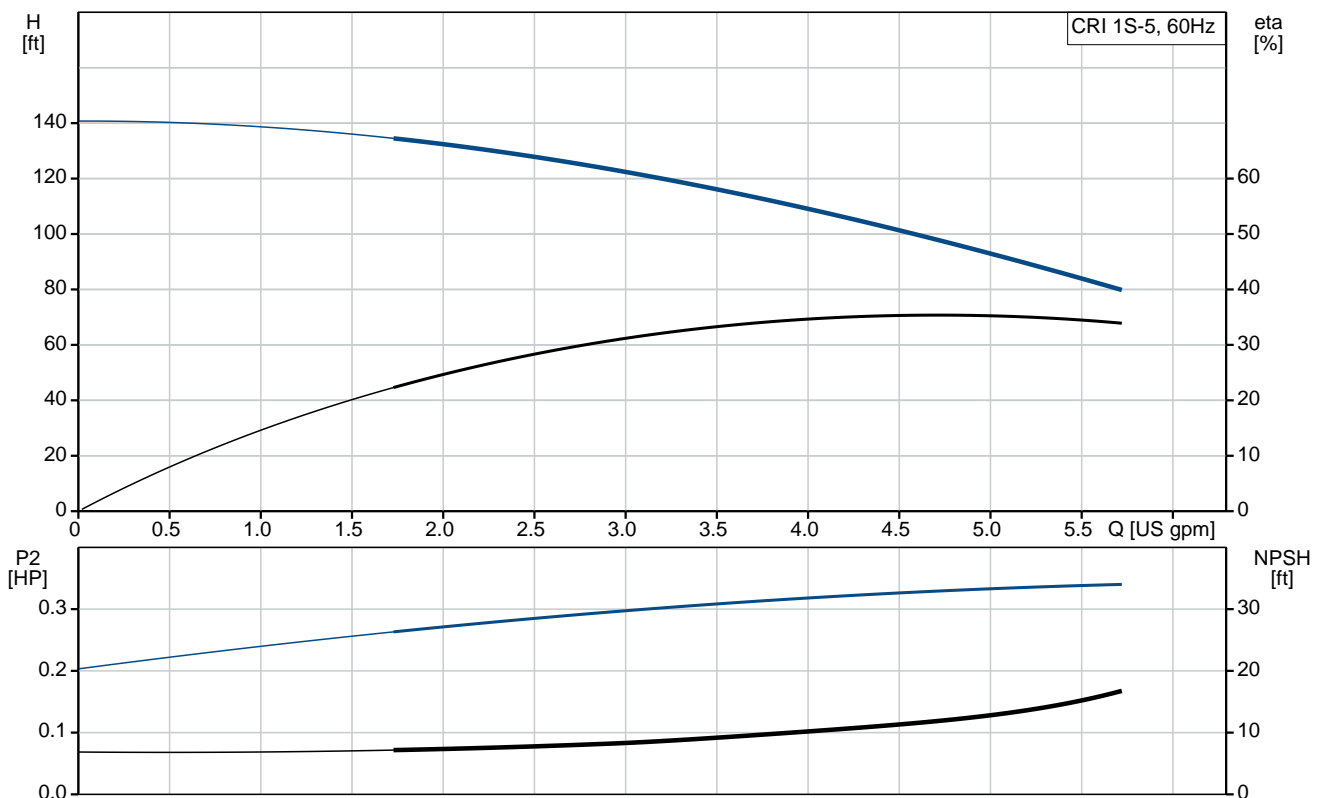


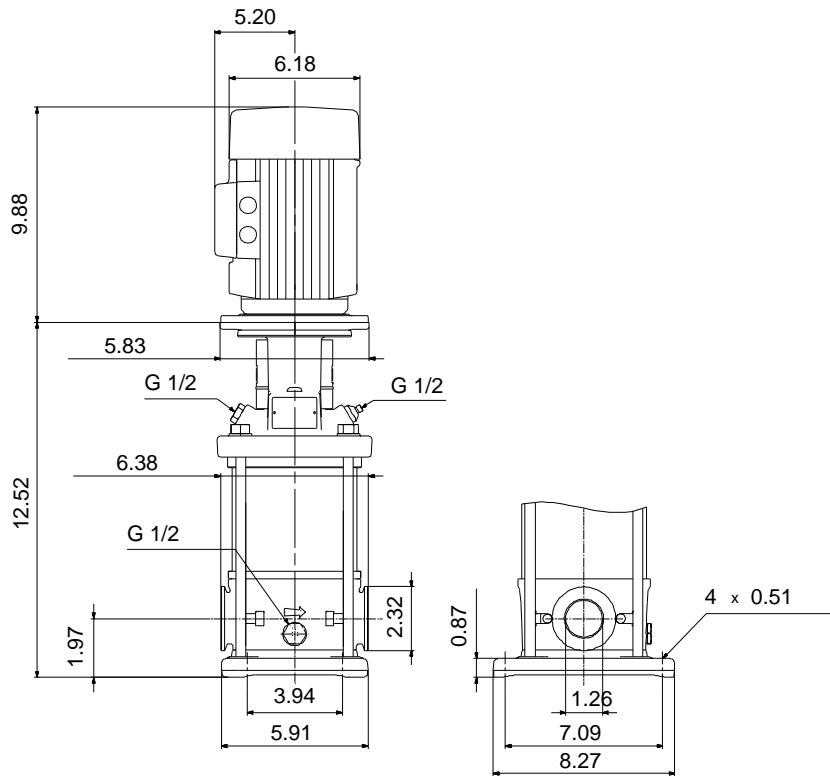
### CRI 1S-5 A-CA-A-E-HQQE

Vertical, multistage centrifugal pump with suction and discharge ports on the same level. The pump head and base are in cast iron. All wetted parts are in stainless steel (EN 1.4301) (AISI 304)

Product photo could vary from the actual product


Conditions of Service	Pump Data	Motor Data
Flow: _____	Max pressure at stated temperature: 363 psi / 250 °F	Rated power - P2: 0.33 HP
Head: _____	Liquid temperature range: -4 .. 248 °F	Rated voltage: 115/230 V
Efficiency: _____	Maximum ambient temperature: 104 °F	Main frequency: 60 Hz
Liquid: Water	Approvals: CURUS,NSF61	Insulation class: B
Temperature: 68 °F	Shaft seal: HQQE	Motor type: Baldor
NPSH required: ft	Product number: 96081216	
Viscosity: _____		
Specific Gravity: 1.000		





**Materials:**

Base:	Stainless steel EN 1.4408 AISI 316
Impeller:	Stainless steel AISI 304 EN 1.4301
Material code:	A
Code for rubber:	E

Count	Description
1	<p data-bbox="225 338 531 367"><b>CRI 1S-5 A-CA-A-E-HQQE</b></p> <div data-bbox="368 383 467 629" style="text-align: center;">  </div> <p data-bbox="225 660 491 689">Product No.: <a href="#">96081216</a></p> <p data-bbox="225 692 750 779">Vertical, non-self-priming, multistage, in-line, centrifugal pump for installation in pipe systems and mounting on a foundation.</p> <p data-bbox="225 808 703 837">The pump has the following characteristics:</p> <ul style="list-style-type: none"> <li data-bbox="264 840 782 896">- Impellers, intermediate chambers and outer sleeve are made of</li> <li data-bbox="264 898 746 927">- Pump head cover and base are made of</li> <li data-bbox="264 929 692 985">- The shaft seal has assembly length according to EN 12756.</li> <li data-bbox="264 987 735 1072">- Power transmission is via cast iron split coupling. flanges/couplings.</li> </ul> <p data-bbox="225 1106 600 1135">The motor is a 1-phase AC motor.</p> <p data-bbox="225 1167 336 1196"><b>Controls:</b></p> <p data-bbox="225 1198 662 1227">Frequency converter: NONE</p> <p data-bbox="225 1258 312 1288"><b>Liquid:</b></p> <p data-bbox="225 1290 657 1319">Pumped liquid: Water</p> <p data-bbox="225 1321 715 1350">Liquid temperature range: -4 .. 248 °F</p> <p data-bbox="225 1352 708 1382">Liquid temperature during operation: 68 °F</p> <p data-bbox="225 1384 708 1413">Density: 62.29 lb/ft<sup>3</sup></p> <p data-bbox="225 1444 352 1473"><b>Technical:</b></p> <p data-bbox="225 1476 695 1505">Rated pump speed: 3436 rpm</p> <p data-bbox="225 1507 735 1536">Rated flow: 4.84 US gpm</p> <p data-bbox="225 1538 676 1568">Rated head: 96.13 ft</p> <p data-bbox="225 1570 676 1599">Pump orientation: Vertical</p> <p data-bbox="225 1601 662 1630">Shaft seal arrangement: Single</p> <p data-bbox="225 1632 662 1662">Code for shaft seal: HQQE</p> <p data-bbox="225 1664 759 1693">Approvals on nameplate: CURUS,NSF61</p> <p data-bbox="225 1695 788 1724">Curve tolerance: ISO9906:2012 3B</p> <p data-bbox="225 1756 344 1785"><b>Materials:</b></p> <p data-bbox="225 1787 751 1843">Base: Stainless steel EN 1.4408 AISI 316</p> <p data-bbox="225 1845 751 1904">Impeller: Stainless steel EN 1.4301 AISI 304</p> <p data-bbox="225 1906 632 1935">Bearing: SIC</p> <p data-bbox="225 1966 368 1995"><b>Installation:</b></p> <p data-bbox="225 1998 663 2027">Maximum ambient temperature: 104 °F</p> <p data-bbox="225 2029 671 2058">Maximum operating pressure: 363 psi</p>



Company name: pfc equipment

Created by:

Phone:

Date: 12/18/2018

Count	Description
	Max pressure at stated temperature: 363 psi / 250 °F 363 psi / -4 °F
	Type of connection: FlexiClamp
	Size of inlet connection: DN 32
	Size of suction port: 1 1/4 inch
	Size of outlet connection: DN 32
	Size of outlet port: 1 1/4 inch
	Pressure rating for pipe connection: PN 25
	Flange size for motor: 56C
	<b>Electrical data:</b>
	Motor standard: NEMA
	Motor type: Baldor
	Rated power - P2: 0.33 HP
	Power (P2) required by pump: 0.33 HP
	Main frequency: 60 Hz
	Rated voltage: 1 x 115/230 V
	Service factor: 1.35
	Rated current: 6.00/3.00 A
	Rated speed: 3450 rpm
	Number of poles: 2
	Insulation class (IEC 85): B
	<b>Others:</b>
	Net weight: 45.6 lb
	Gross weight: 56.6 lb
	Shipping volume: 4.94 ft³
	Country of origin: US
	Custom tariff no.: 8413.70.2040



Company name: pfc equipment

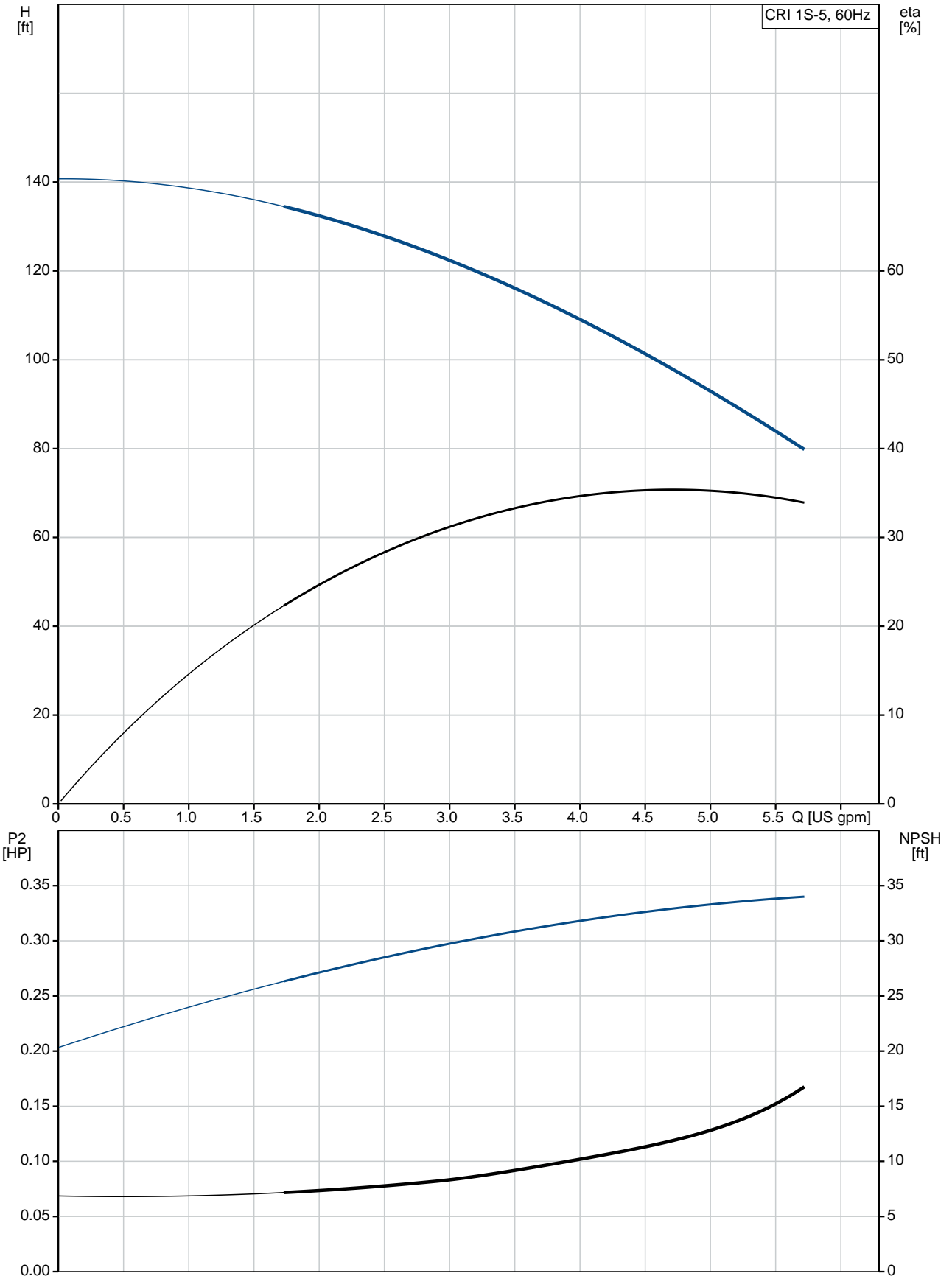
Created by:

Phone:

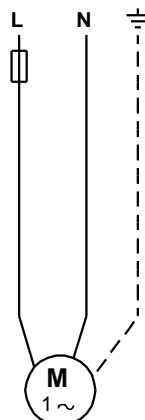
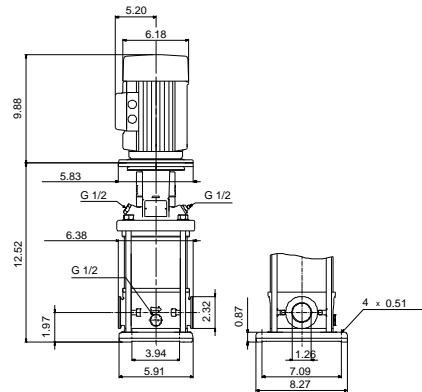
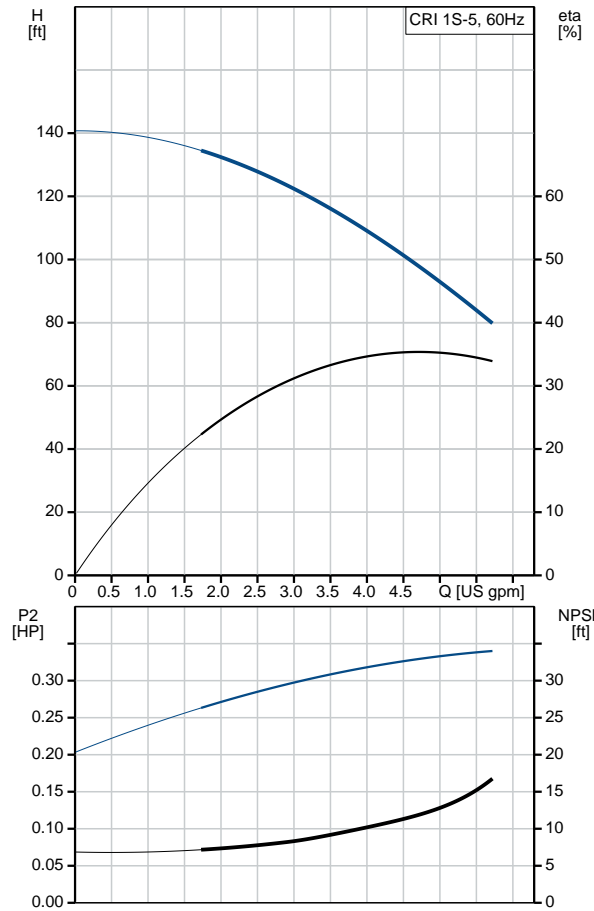
Date:

12/18/2018

### 96081216 CRI 1S-5 A-CA-A-E-HQQE 60 Hz



Description	Value
<b>General information:</b>	
Product name:	CRI 1S-5 A-CA-A-E-HQQE
Product No.:	96081216
EAN:	5700395164220
<b>Technical:</b>	
Rated pump speed:	3436 rpm
Rated flow:	4.84 US gpm
Rated head:	96.13 ft
Head max:	140.8 ft
Stages:	5
Impellers:	5
Number of reduced-diameter impellers:	0
Low NPSH:	No
Pump orientation:	Vertical
Shaft seal arrangement:	Single
Code for shaft seal:	HQQE
Approvals on nameplate:	CURUS,NSF61
Curve tolerance:	ISO9906:2012 3B
Pump version:	A
Model:	A
Cooling:	TEFC
<b>Materials:</b>	
Base:	Stainless steel EN 1.4408 AISI 316
Impeller:	Stainless steel EN 1.4301 AISI 304
Material code:	A
Code for rubber:	E
Bearing:	SIC
<b>Installation:</b>	
Maximum ambient temperature:	104 °F
Maximum operating pressure:	363 psi
Max pressure at stated temperature:	363 psi / 250 °F 363 psi / -4 °F
Type of connection:	FlexiClamp
Size of inlet connection:	DN 32
Size of suction port:	1 1/4 inch
Size of outlet connection:	DN 32
Size of outlet port:	1 1/4 inch
Pressure rating for pipe connection:	PN 25
Flange size for motor:	56C
Connect code:	CA
<b>Liquid:</b>	
Pumped liquid:	Water
Liquid temperature range:	-4 .. 248 °F
Liquid temperature during operation:	68 °F
Density:	62.29 lb/ft³
<b>Electrical data:</b>	
Motor standard:	NEMA
Motor type:	Baldor
Rated power - P2:	0.33 HP
Power (P2) required by pump:	0.33 HP
Main frequency:	60 Hz
Rated voltage:	1 x 115/230 V
Service factor:	1.35





Company name: pfc equipment

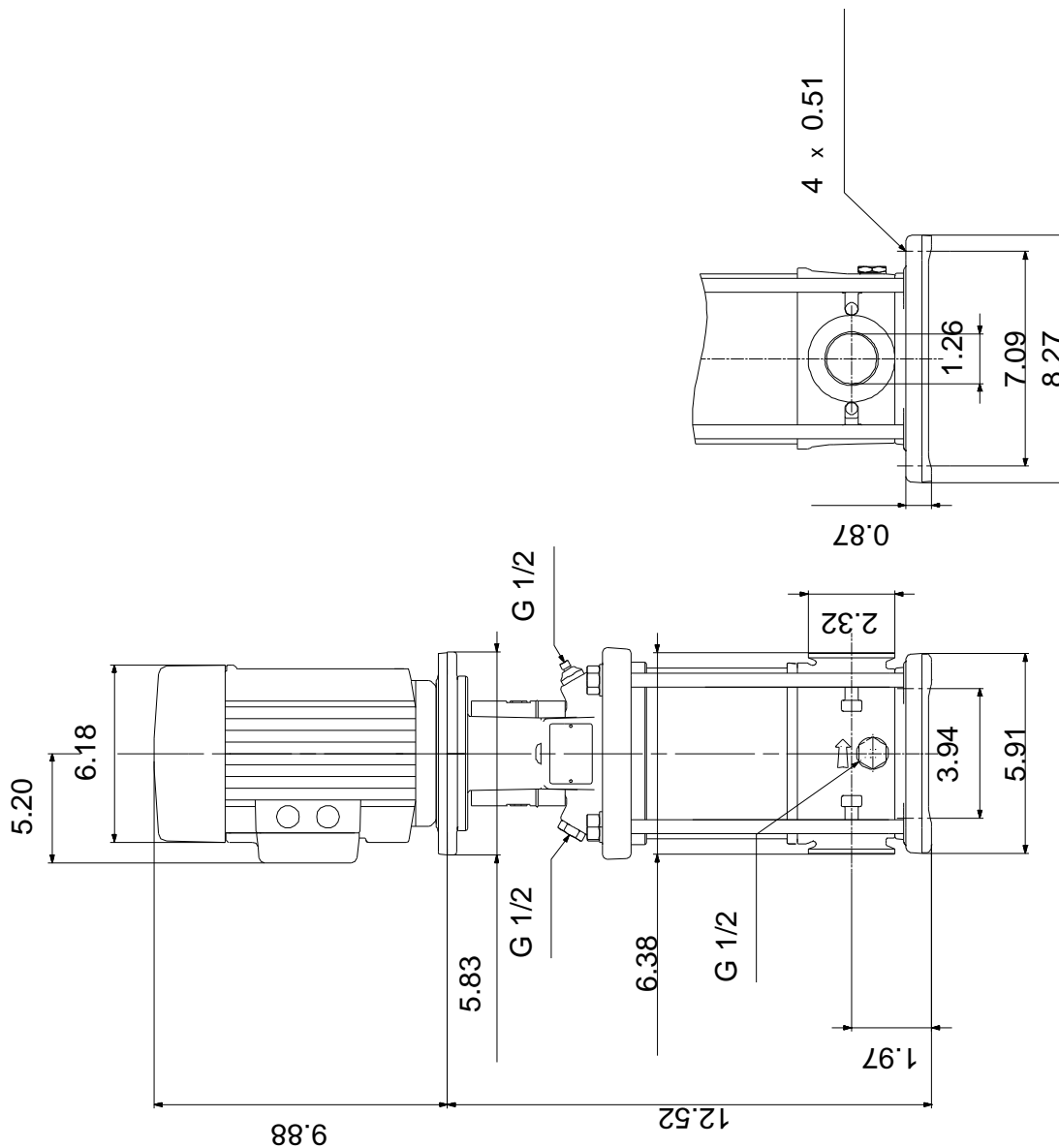
Created by:

Phone:

Date: 12/18/2018

Description	Value
Rated current:	6.00/3.00 A
Load current:	6.8/3.4 A
Rated speed:	3450 rpm
Number of poles:	2
Insulation class (IEC 85):	B
Motor Number:	85680001
<b>Controls:</b>	
Frequency converter:	NONE
<b>Others:</b>	
Net weight:	45.6 lb
Gross weight:	56.6 lb
Shipping volume:	4.94 ft <sup>3</sup>
Country of origin:	US
Custom tariff no.:	8413.70.2040

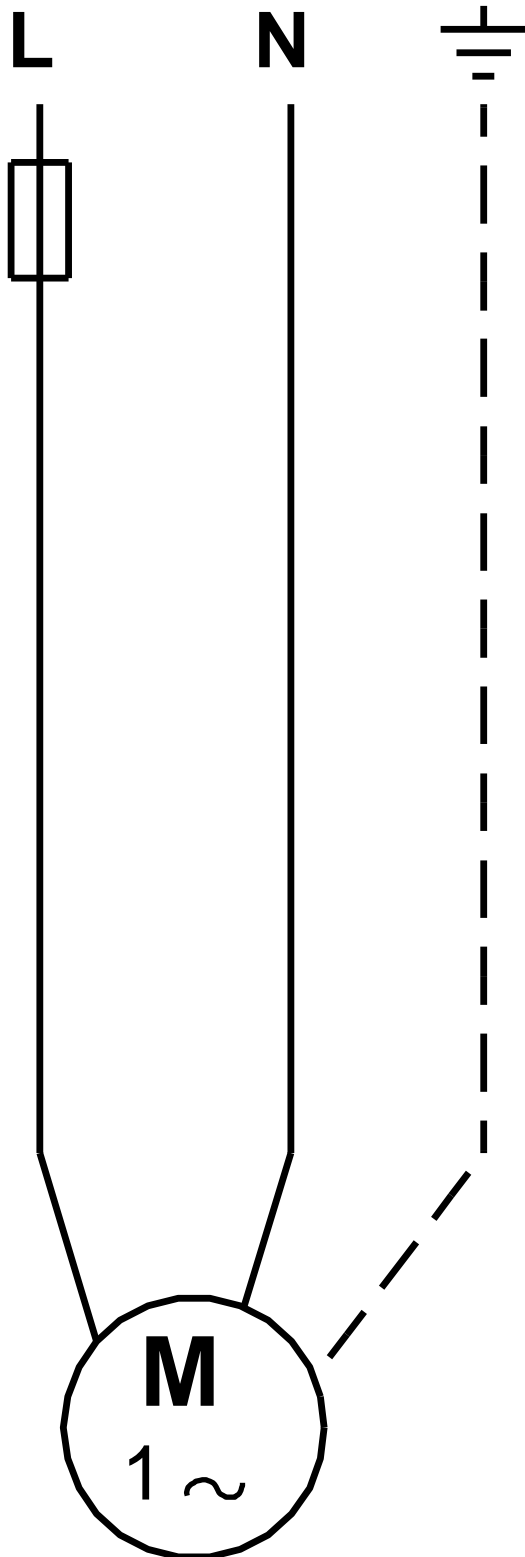
## 96081216 CRI 1S-5 A-CA-A-E-HQQE 60 Hz



Note! All units are in [mm] unless otherwise stated.  
 Disclaimer: This simplified dimensional drawing does not show all details.



**96081216 CRI 1S-5 A-CA-A-E-HQQE 60 Hz**



All units are [mm] unless otherwise presented.