

PROJECT: _____	UNIT TAG: _____	QUANTITY: _____
REPRESENTATIVE: _____	TYPE OF SERVICE: _____	DATE: _____
ENGINEER: _____	SUBMITTED BY: _____	DATE: _____
CONTRACTOR: _____	APPROVED BY: _____	DATE: _____
	ORDER NO.: _____	DATE: _____

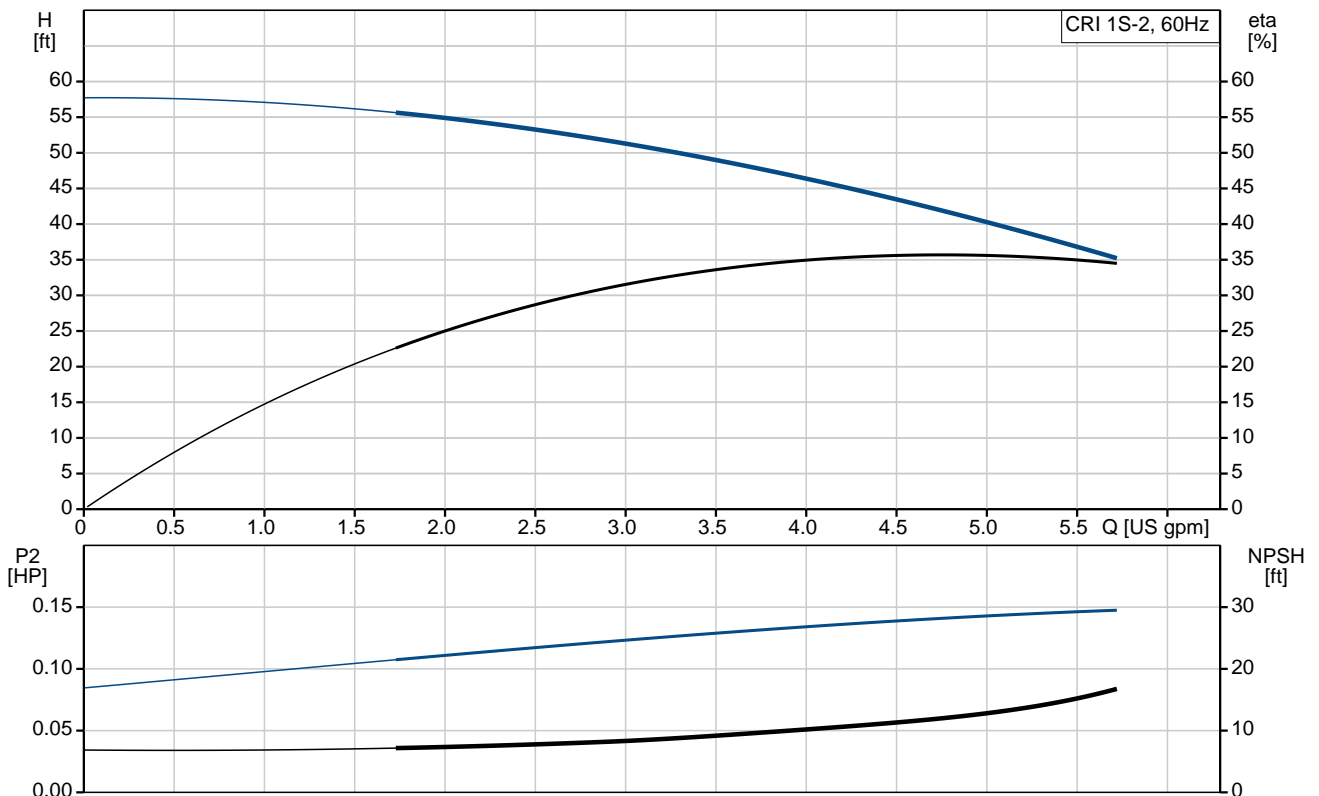


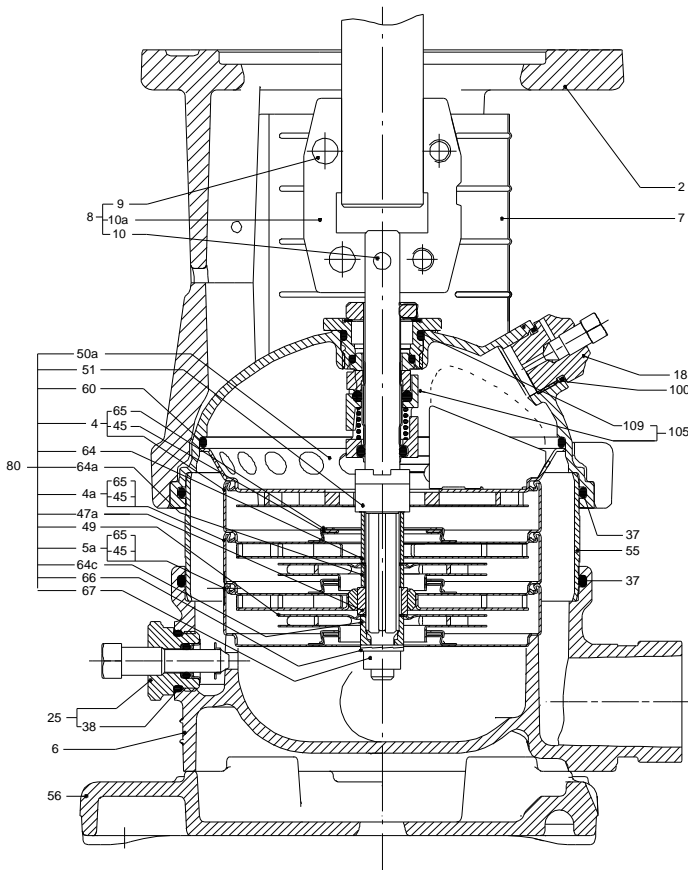
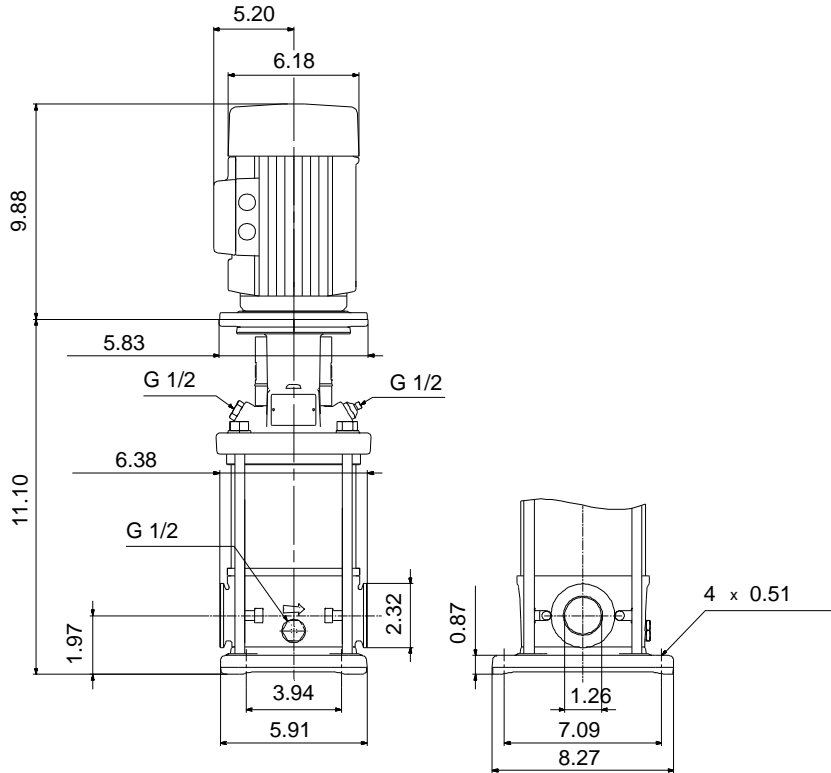
### CRI 1S-2 A-CA-A-V-HQQV

Vertical, multistage centrifugal pump with suction and discharge ports on the same level. The pump head and base are in cast iron. All wetted parts are in stainless steel (EN 1.4301) (AISI 304)

Product photo could vary from the actual product


Conditions of Service	Pump Data	Motor Data
Flow: _____	Max pressure at stated temperature: 363 psi / 194 °F	Rated power - P2: 0.33 HP
Head: _____	Liquid temperature range: -4 .. 194 °F	Rated voltage: 115/230 V
Efficiency: _____	Maximum ambient temperature: 104 °F	Main frequency: 60 Hz
Liquid: Water	Approvals: CURUS	Insulation class: B
Temperature: 68 °F	Shaft seal: HQQV	Motor type: Baldor
NPSH required: ft	Product number: 96081305	
Viscosity: _____		
Specific Gravity: 1.000		





**Materials:**

- Base: Stainless steel  
EN 1.4408  
AISI 316
- Impeller: Stainless steel  
AISI 304  
EN 1.4301
- Material code: A
- Code for rubber: V

Position	Count	Description
	1	<p><b>CRI 1S-2 A-CA-A-V-HQQV</b></p>  <p>Product No.: <a href="#">96081305</a>            Vertical, non-self-priming, multistage, in-line, centrifugal pump for installation in pipe systems and mounting on a foundation.</p> <p>The pump has the following characteristics:</p> <ul style="list-style-type: none"> <li>- Impellers, intermediate chambers and outer sleeve are made of</li> <li>- Pump head cover and base are made of</li> <li>- The shaft seal has assembly length according to EN 12756.</li> <li>- Power transmission is via cast iron split coupling flanges/couplings.</li> </ul> <p>The motor is a 1-phase AC motor.</p> <p><b>Controls:</b>            Frequency converter: NONE</p> <p><b>Liquid:</b>            Pumped liquid: Water            Liquid temperature range: -4 .. 194 °F            Liquid temperature during operation: 68 °F            Density: 62.29 lb/ft<sup>3</sup></p> <p><b>Technical:</b>            Rated pump speed: 3436 rpm            Rated flow: 4.84 US gpm            Rated head: 41.34 ft            Pump orientation: Vertical            Shaft seal arrangement: Single            Code for shaft seal: HQQV            Approvals on nameplate: CURUS            Curve tolerance: ISO9906:2012 3B</p> <p><b>Materials:</b>            Base: Stainless steel                      EN 1.4408                      AISI 316            Impeller: Stainless steel                      EN 1.4301                      AISI 304            Bearing: SIC</p> <p><b>Installation:</b>            Maximum ambient temperature: 104 °F            Maximum operating pressure: 363 psi</p>



Company name: pfc equipment

Created by:

Phone:

Date: 12/4/2018

Position	Count	Description
		Max pressure at stated temperature: 363 psi / 194 °F 363 psi / -4 °F
		Type of connection: FlexiClamp
		Size of inlet connection: DN 32
		Size of suction port: 1 1/4 inch
		Size of outlet connection: DN 32
		Size of outlet port: 1 1/4 inch
		Pressure rating for pipe connection: PN 25
		Flange size for motor: 56C
		<b>Electrical data:</b>
		Motor standard: NEMA
		Motor type: Baldor
		Rated power - P2: 0.33 HP
		Power (P2) required by pump: 0.33 HP
		Main frequency: 60 Hz
		Rated voltage: 1 x 115/230 V
		Service factor: 1.35
		Rated current: 6.00/3.00 A
		Rated speed: 3450 rpm
		Number of poles: 2
		Insulation class (IEC 85): B
		<b>Others:</b>
		Net weight: 43.4 lb
		Gross weight: 54.4 lb
		Shipping volume: 4.94 ft <sup>3</sup>
		Country of origin: US
		Custom tariff no.: 8413.70.2040



Company name: pfc equipment

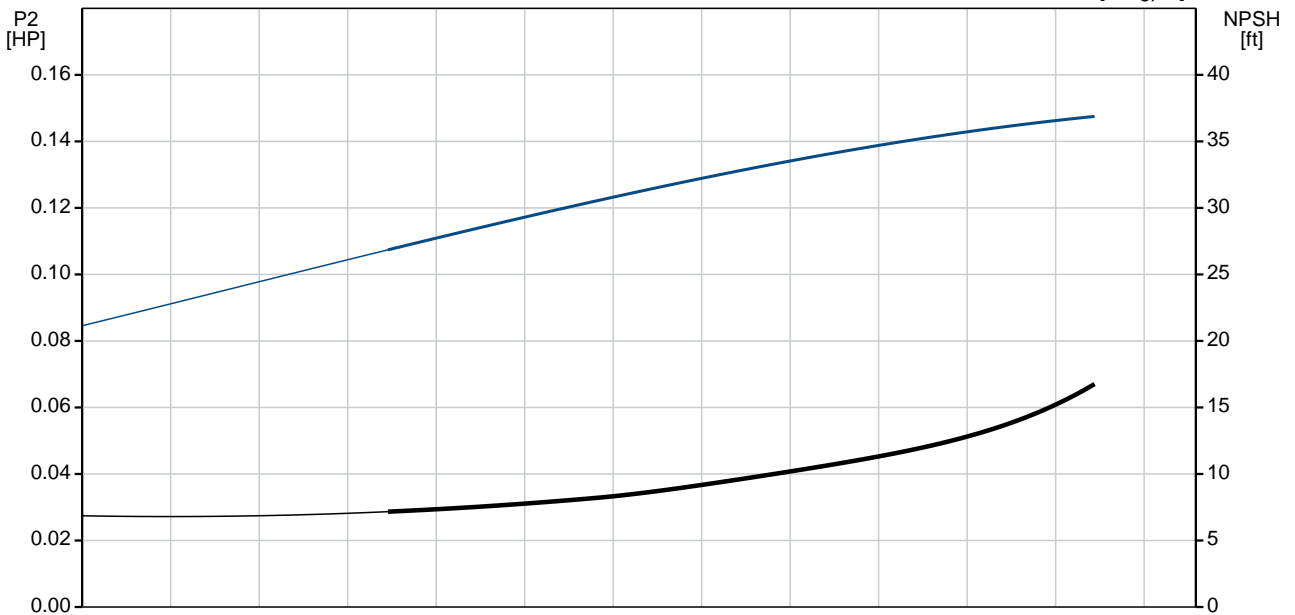
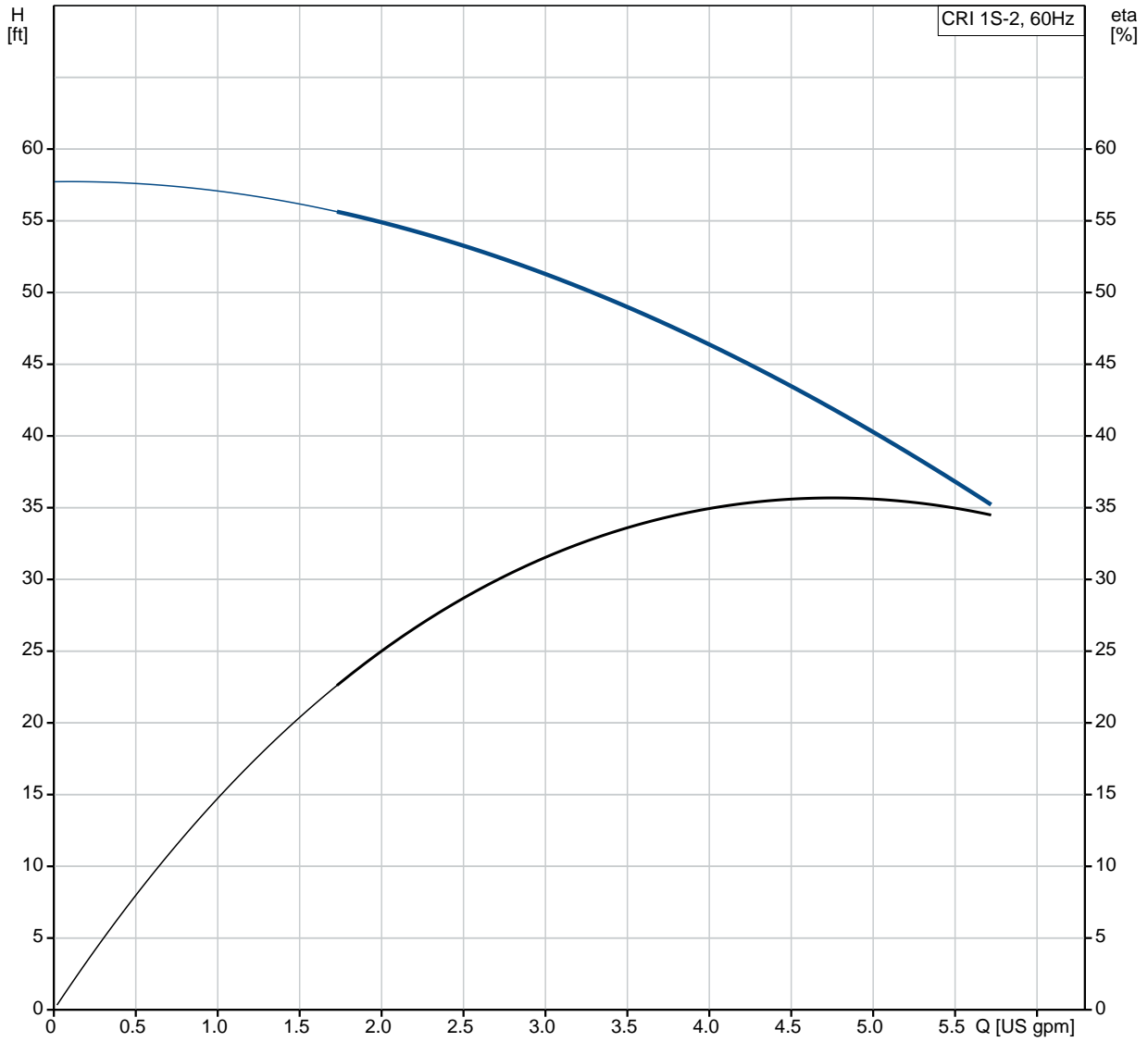
Created by:

Phone:

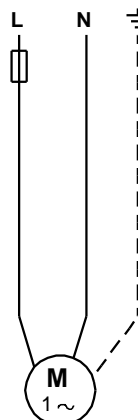
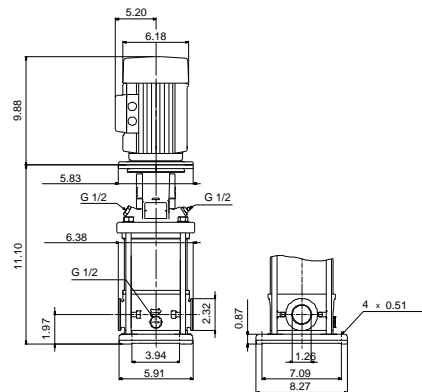
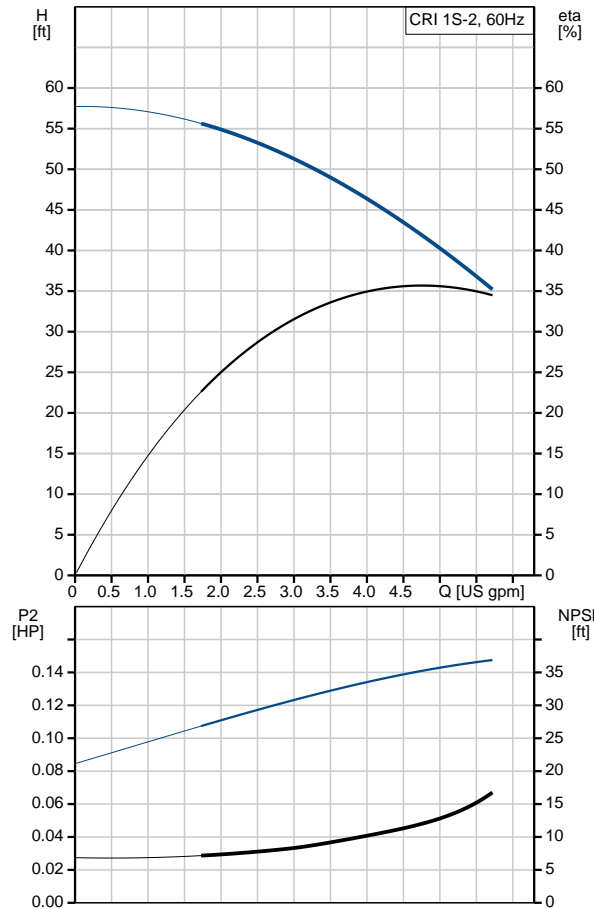
Date:

12/4/2018

### 96081305 CRI 1S-2 A-CA-A-V-HQQV 60 Hz



Description	Value
<b>General information:</b>	
Product name:	CRI 1S-2 A-CA-A-V-HQQV
Product No.:	96081305
EAN:	5700395164565
<b>Technical:</b>	
Rated pump speed:	3436 rpm
Rated flow:	4.84 US gpm
Rated head:	41.34 ft
Head max:	56.76 ft
Stages:	3
Impellers:	2
Number of reduced-diameter impellers:	0
Low NPSH:	No
Pump orientation:	Vertical
Shaft seal arrangement:	Single
Code for shaft seal:	HQQV
Approvals on nameplate:	CURUS
Curve tolerance:	ISO9906:2012 3B
Pump version:	A
Model:	A
Cooling:	TEFC
<b>Materials:</b>	
Base:	Stainless steel EN 1.4408 AISI 316
Impeller:	Stainless steel EN 1.4301 AISI 304
Material code:	A
Code for rubber:	V
Bearing:	SIC
<b>Installation:</b>	
Maximum ambient temperature:	104 °F
Maximum operating pressure:	363 psi
Max pressure at stated temperature:	363 psi / 194 °F 363 psi / -4 °F
Type of connection:	FlexiClamp
Size of inlet connection:	DN 32
Size of suction port:	1 1/4 inch
Size of outlet connection:	DN 32
Size of outlet port:	1 1/4 inch
Pressure rating for pipe connection:	PN 25
Flange size for motor:	56C
Connect code:	CA
<b>Liquid:</b>	
Pumped liquid:	Water
Liquid temperature range:	-4 .. 194 °F
Liquid temperature during operation:	68 °F
Density:	62.29 lb/ft³
<b>Electrical data:</b>	
Motor standard:	NEMA
Motor type:	Baldor
Rated power - P2:	0.33 HP
Power (P2) required by pump:	0.33 HP
Main frequency:	60 Hz
Rated voltage:	1 x 115/230 V
Service factor:	1.35





Company name: pfc equipment

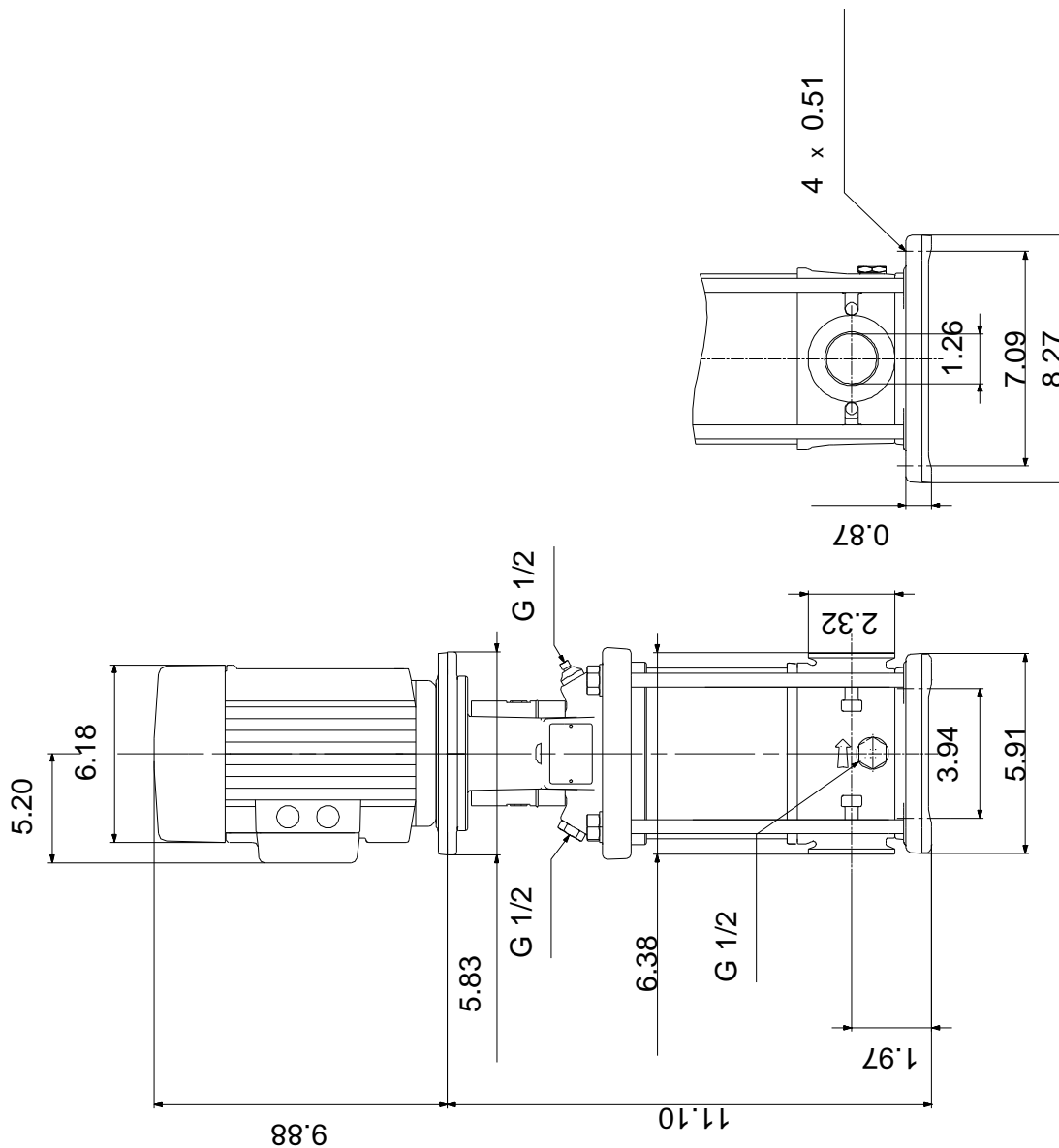
Created by:

Phone:

Date: 12/4/2018

Description	Value
Rated current:	6.00/3.00 A
Load current:	6.8/3.4 A
Rated speed:	3450 rpm
Number of poles:	2
Insulation class (IEC 85):	B
Motor Number:	85680001
<b>Controls:</b>	
Frequency converter:	NONE
<b>Others:</b>	
Net weight:	43.4 lb
Gross weight:	54.4 lb
Shipping volume:	4.94 ft <sup>3</sup>
Country of origin:	US
Custom tariff no.:	8413.70.2040

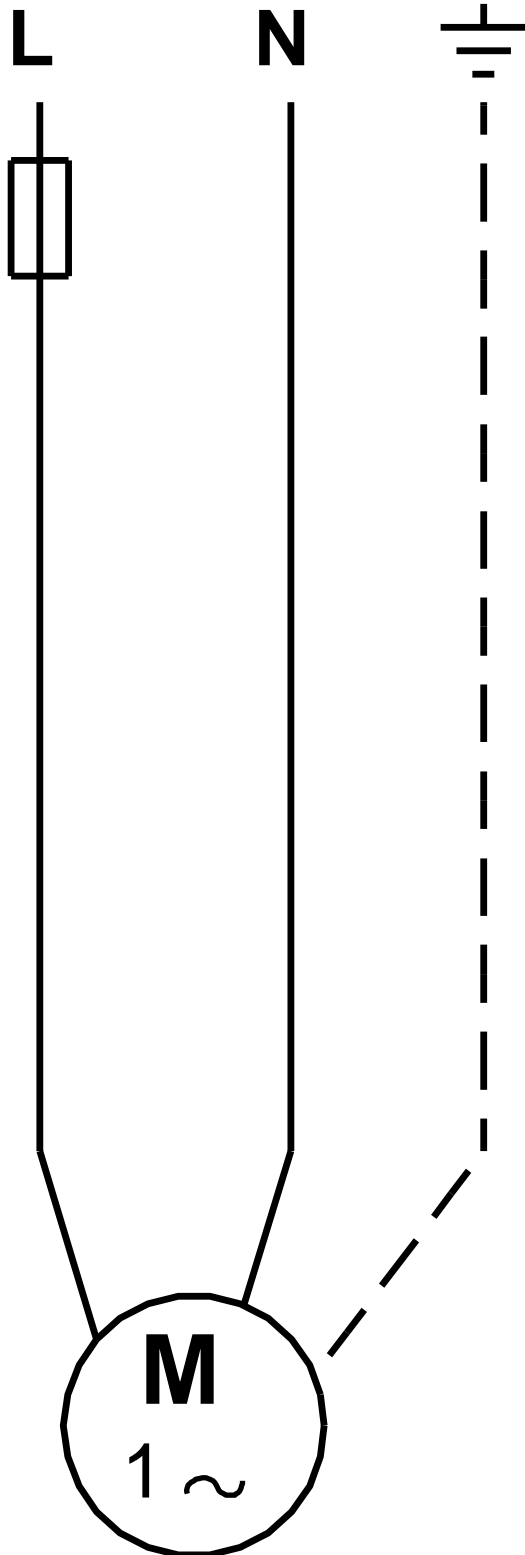
## 96081305 CRI 1S-2 A-CA-A-V-HQQV 60 Hz



Note! All units are in [mm] unless otherwise stated.  
Disclaimer: This simplified dimensional drawing does not show all details.



**96081305 CRI 1S-2 A-CA-A-V-HQQV 60 Hz**



All units are [mm] unless otherwise presented.