

PROJECT: _____	UNIT TAG: _____	QUANTITY: _____
REPRESENTATIVE: _____	TYPE OF SERVICE: _____	DATE: _____
ENGINEER: _____	SUBMITTED BY: _____	DATE: _____
CONTRACTOR: _____	APPROVED BY: _____	DATE: _____
	ORDER NO.: _____	DATE: _____

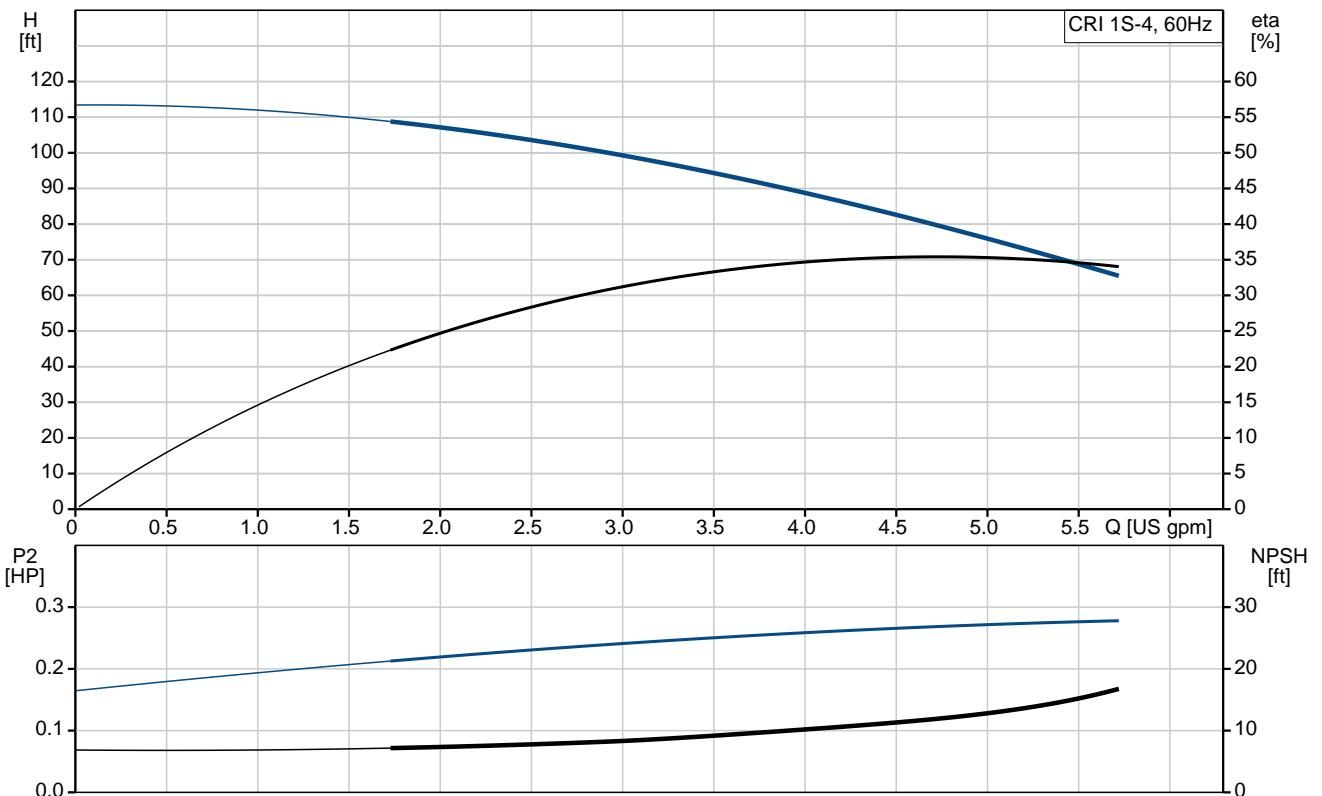


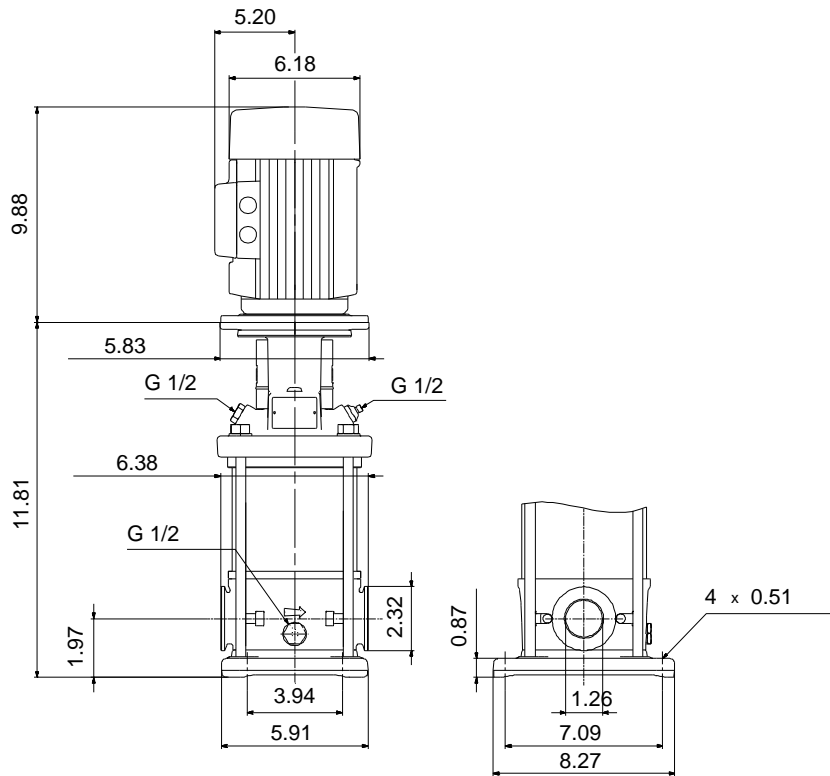
CRI 1S-4 A-CA-A-V-HQQV

Vertical, multistage centrifugal pump with suction and discharge ports on the same level. The pump head and base are in cast iron. All wetted parts are in stainless steel (EN 1.4301) (AISI 304)

Product photo could vary from the actual product


Conditions of Service	Pump Data	Motor Data
Flow: _____	Max pressure at stated temperature: 363 psi / 194 °F	Rated power - P2: 0.33 HP
Head: _____	Liquid temperature range: -4 .. 194 °F	Rated voltage: 115/230 V
Efficiency: _____	Maximum ambient temperature: 104 °F	Main frequency: 60 Hz
Liquid: Water	Approvals: CURUS	Insulation class: B
Temperature: 68 °F	Shaft seal: HQQV	Motor type: Baldor
NPSH required: ft	Product number: 96081309	
Viscosity: _____		
Specific Gravity: 1.000		





Materials:

Base:	Stainless steel EN 1.4408 AISI 316
Impeller:	Stainless steel AISI 304 EN 1.4301
Material code:	A
Code for rubber:	V

Count	Description
1	<p data-bbox="225 338 528 360">CRI 1S-4 A-CA-A-V-HQQV</p> <div data-bbox="368 387 467 629" style="text-align: center;">  </div> <p data-bbox="225 663 491 685">Product No.: 96081309</p> <p data-bbox="225 692 748 777">Vertical, non-self-priming, multistage, in-line, centrifugal pump for installation in pipe systems and mounting on a foundation.</p> <p data-bbox="225 810 703 833">The pump has the following characteristics:</p> <ul style="list-style-type: none"> <li data-bbox="264 840 780 893">- Impellers, intermediate chambers and outer sleeve are made of <li data-bbox="264 900 746 922">- Pump head cover and base are made of <li data-bbox="264 929 692 952">- The shaft seal has assembly length according to EN 12756. <li data-bbox="264 958 735 1072">- Power transmission is via cast iron split coupling. flanges/couplings. <p data-bbox="225 1106 600 1128">The motor is a 1-phase AC motor.</p> <p data-bbox="225 1167 336 1189">Controls:</p> <p data-bbox="225 1196 660 1218">Frequency converter: NONE</p> <p data-bbox="225 1256 309 1279">Liquid:</p> <p data-bbox="225 1285 657 1308">Pumped liquid: Water</p> <p data-bbox="225 1314 713 1337">Liquid temperature range: -4 .. 194 °F</p> <p data-bbox="225 1344 707 1366">Liquid temperature during operation: 68 °F</p> <p data-bbox="225 1373 708 1395">Density: 62.29 lb/ft³</p> <p data-bbox="225 1433 349 1456">Technical:</p> <p data-bbox="225 1462 695 1485">Rated pump speed: 3436 rpm</p> <p data-bbox="225 1491 735 1514">Rated flow: 4.84 US gpm</p> <p data-bbox="225 1520 675 1543">Rated head: 77.76 ft</p> <p data-bbox="225 1550 675 1572">Pump orientation: Vertical</p> <p data-bbox="225 1579 660 1601">Shaft seal arrangement: Single</p> <p data-bbox="225 1608 660 1630">Code for shaft seal: HQQV</p> <p data-bbox="225 1637 679 1659">Approvals on nameplate: CURUS</p> <p data-bbox="225 1666 786 1688">Curve tolerance: ISO9906:2012 3B</p> <p data-bbox="225 1727 344 1749">Materials:</p> <p data-bbox="225 1756 751 1841">Base: Stainless steel EN 1.4408 AISI 316</p> <p data-bbox="225 1848 751 1933">Impeller: Stainless steel EN 1.4301 AISI 304</p> <p data-bbox="225 1939 632 1962">Bearing: SIC</p> <p data-bbox="225 2000 367 2022">Installation:</p> <p data-bbox="225 2029 665 2051">Maximum ambient temperature: 104 °F</p> <p data-bbox="225 2058 671 2080">Maximum operating pressure: 363 psi</p>



Company name: pfc equipment

Created by:

Phone:

Date: 12/18/2018

Count	Description
	Max pressure at stated temperature: 363 psi / 194 °F 363 psi / -4 °F
	Type of connection: FlexiClamp
	Size of inlet connection: DN 32
	Size of suction port: 1 1/4 inch
	Size of outlet connection: DN 32
	Size of outlet port: 1 1/4 inch
	Pressure rating for pipe connection: PN 25
	Flange size for motor: 56C
	Electrical data:
	Motor standard: NEMA
	Motor type: Baldor
	Rated power - P2: 0.33 HP
	Power (P2) required by pump: 0.33 HP
	Main frequency: 60 Hz
	Rated voltage: 1 x 115/230 V
	Service factor: 1.35
	Rated current: 6.00/3.00 A
	Rated speed: 3450 rpm
	Number of poles: 2
	Insulation class (IEC 85): B
	Others:
	Net weight: 44.7 lb
	Gross weight: 55.7 lb
	Shipping volume: 4.94 ft³
	Country of origin: US
	Custom tariff no.: 8413.70.2040



Company name: pfc equipment

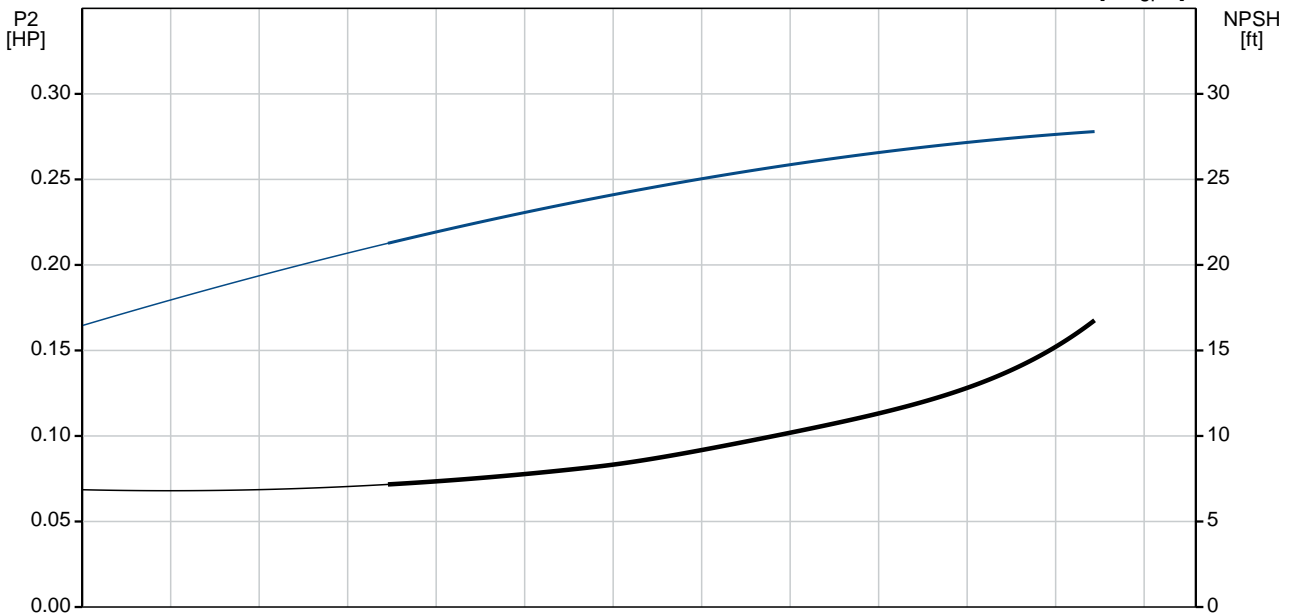
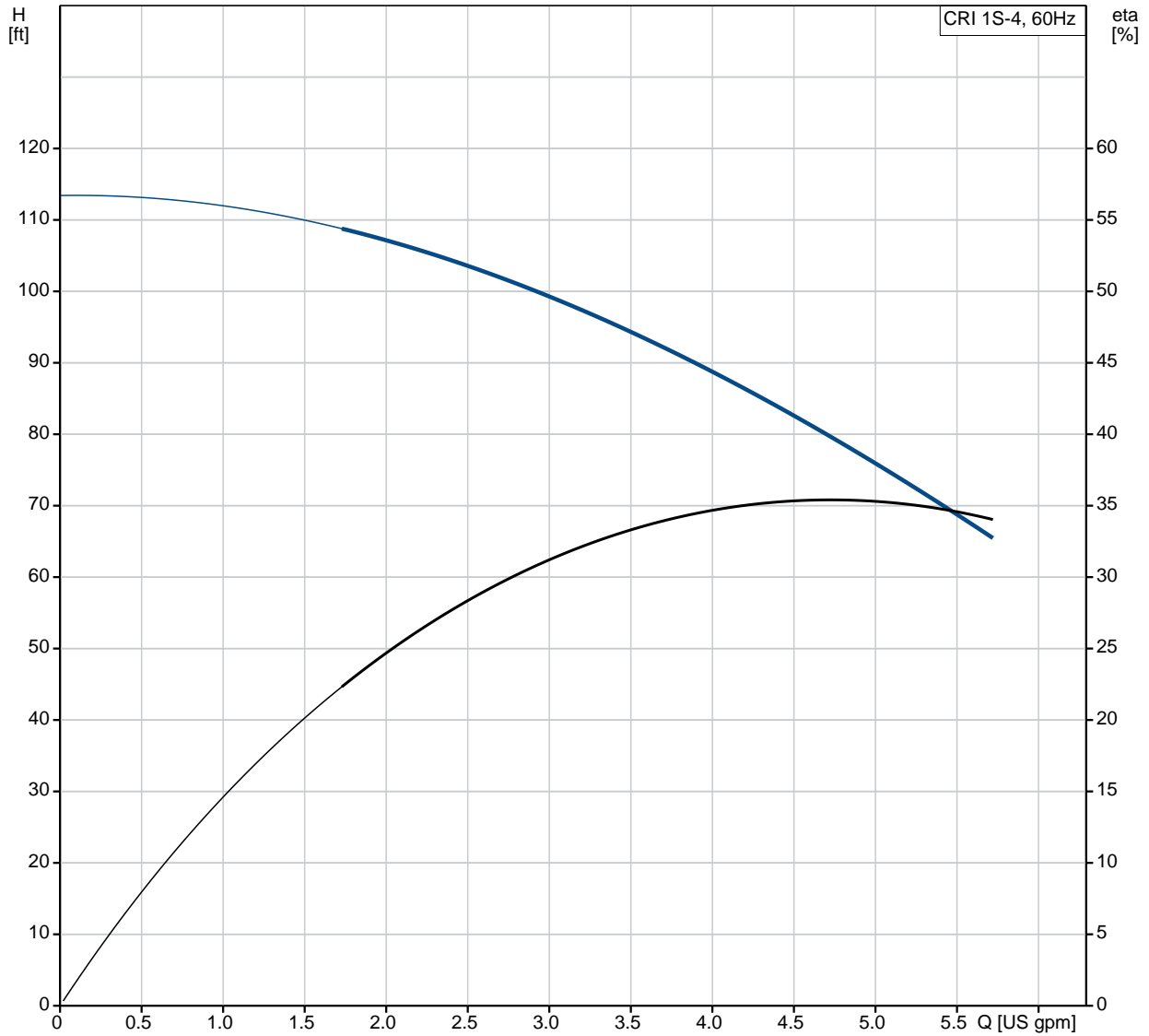
Created by:

Phone:

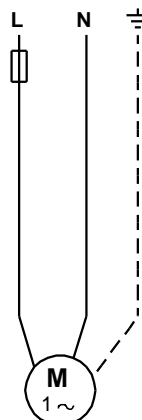
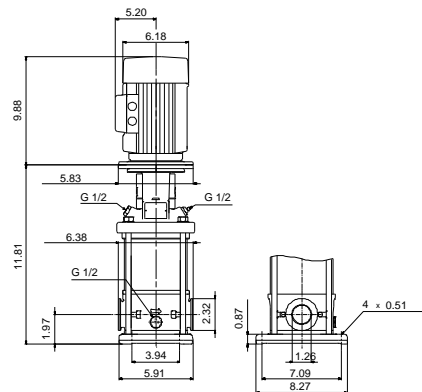
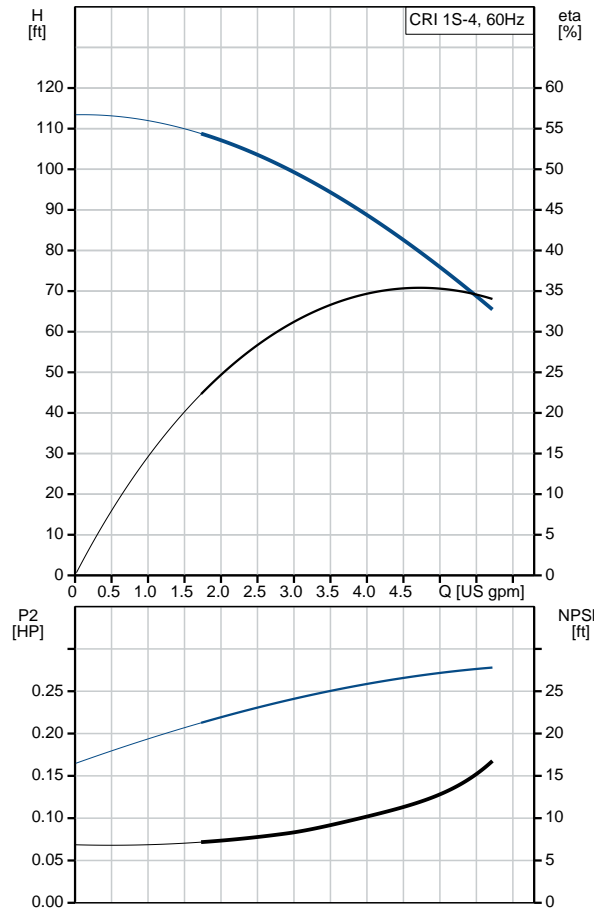
Date:

12/18/2018

96081309 CRI 1S-4 A-CA-A-V-HQQV 60 Hz



Description	Value
General information:	
Product name:	CRI 1S-4 A-CA-A-V-HQQV
Product No.:	96081309
EAN:	5700395164602
Technical:	
Rated pump speed:	3436 rpm
Rated flow:	4.84 US gpm
Rated head:	77.76 ft
Head max:	113.2 ft
Stages:	4
Impellers:	4
Number of reduced-diameter impellers:	0
Low NPSH:	No
Pump orientation:	Vertical
Shaft seal arrangement:	Single
Code for shaft seal:	HQQV
Approvals on nameplate:	CURUS
Curve tolerance:	ISO9906:2012 3B
Pump version:	A
Model:	A
Cooling:	TEFC
Materials:	
Base:	Stainless steel EN 1.4408 AISI 316
Impeller:	Stainless steel EN 1.4301 AISI 304
Material code:	A
Code for rubber:	V
Bearing:	SIC
Installation:	
Maximum ambient temperature:	104 °F
Maximum operating pressure:	363 psi
Max pressure at stated temperature:	363 psi / 194 °F 363 psi / -4 °F
Type of connection:	FlexiClamp
Size of inlet connection:	DN 32
Size of suction port:	1 1/4 inch
Size of outlet connection:	DN 32
Size of outlet port:	1 1/4 inch
Pressure rating for pipe connection:	PN 25
Flange size for motor:	56C
Connect code:	CA
Liquid:	
Pumped liquid:	Water
Liquid temperature range:	-4 .. 194 °F
Liquid temperature during operation:	68 °F
Density:	62.29 lb/ft³
Electrical data:	
Motor standard:	NEMA
Motor type:	Baldor
Rated power - P2:	0.33 HP
Power (P2) required by pump:	0.33 HP
Main frequency:	60 Hz
Rated voltage:	1 x 115/230 V
Service factor:	1.35





Company name: pfc equipment

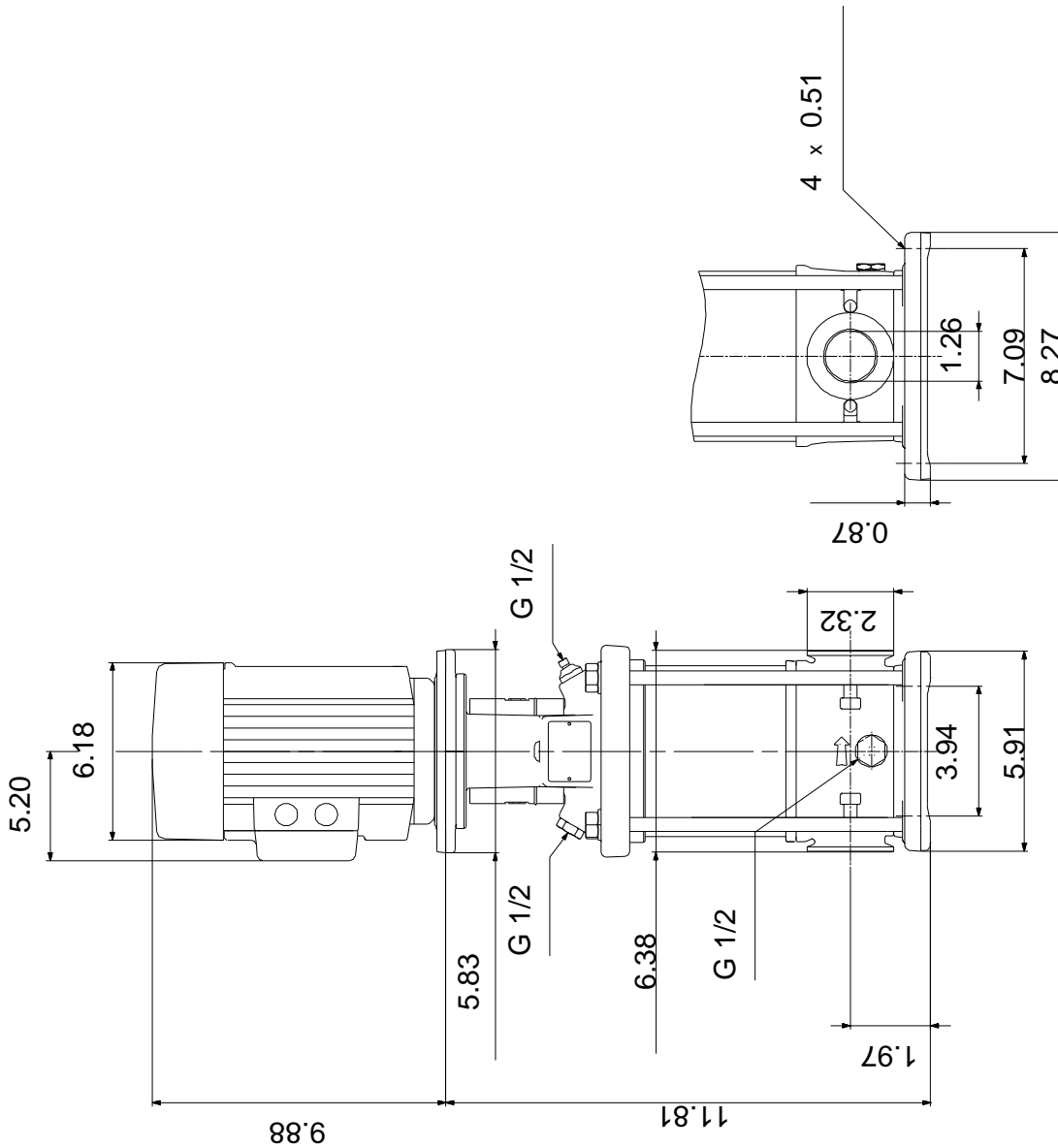
Created by:

Phone:

Date: 12/18/2018

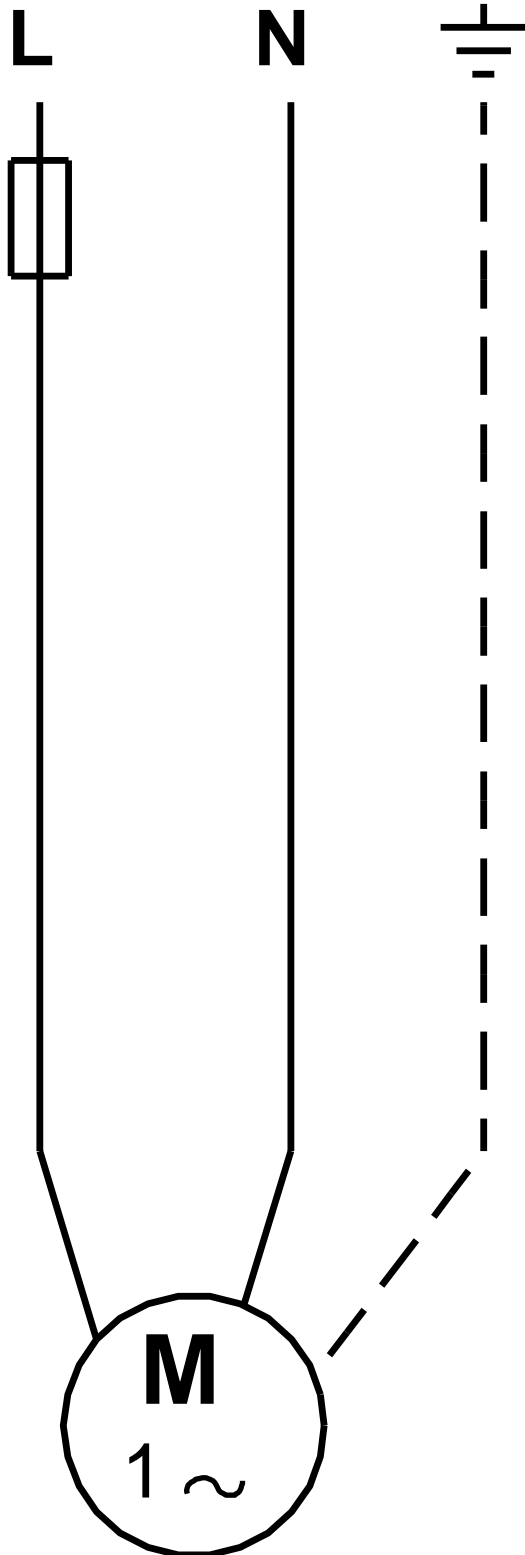
Description	Value
Rated current:	6.00/3.00 A
Load current:	6.8/3.4 A
Rated speed:	3450 rpm
Number of poles:	2
Insulation class (IEC 85):	B
Motor Number:	85680001
Controls:	
Frequency converter:	NONE
Others:	
Net weight:	44.7 lb
Gross weight:	55.7 lb
Shipping volume:	4.94 ft ³
Country of origin:	US
Custom tariff no.:	8413.70.2040

96081309 CRI 1S-4 A-CA-A-V-HQQV 60 Hz



Note! All units are in [mm] unless otherwise stated.
 Disclaimer: This simplified dimensional drawing does not show all details.

96081309 CRI 1S-4 A-CA-A-V-HQQV 60 Hz



All units are [mm] unless otherwise presented.