

|                       |                        |                 |
|-----------------------|------------------------|-----------------|
| PROJECT: _____        | UNIT TAG: _____        | QUANTITY: _____ |
| REPRESENTATIVE: _____ | TYPE OF SERVICE: _____ | DATE: _____     |
| ENGINEER: _____       | SUBMITTED BY: _____    | DATE: _____     |
| CONTRACTOR: _____     | APPROVED BY: _____     | DATE: _____     |
|                       | ORDER NO.: _____       | DATE: _____     |

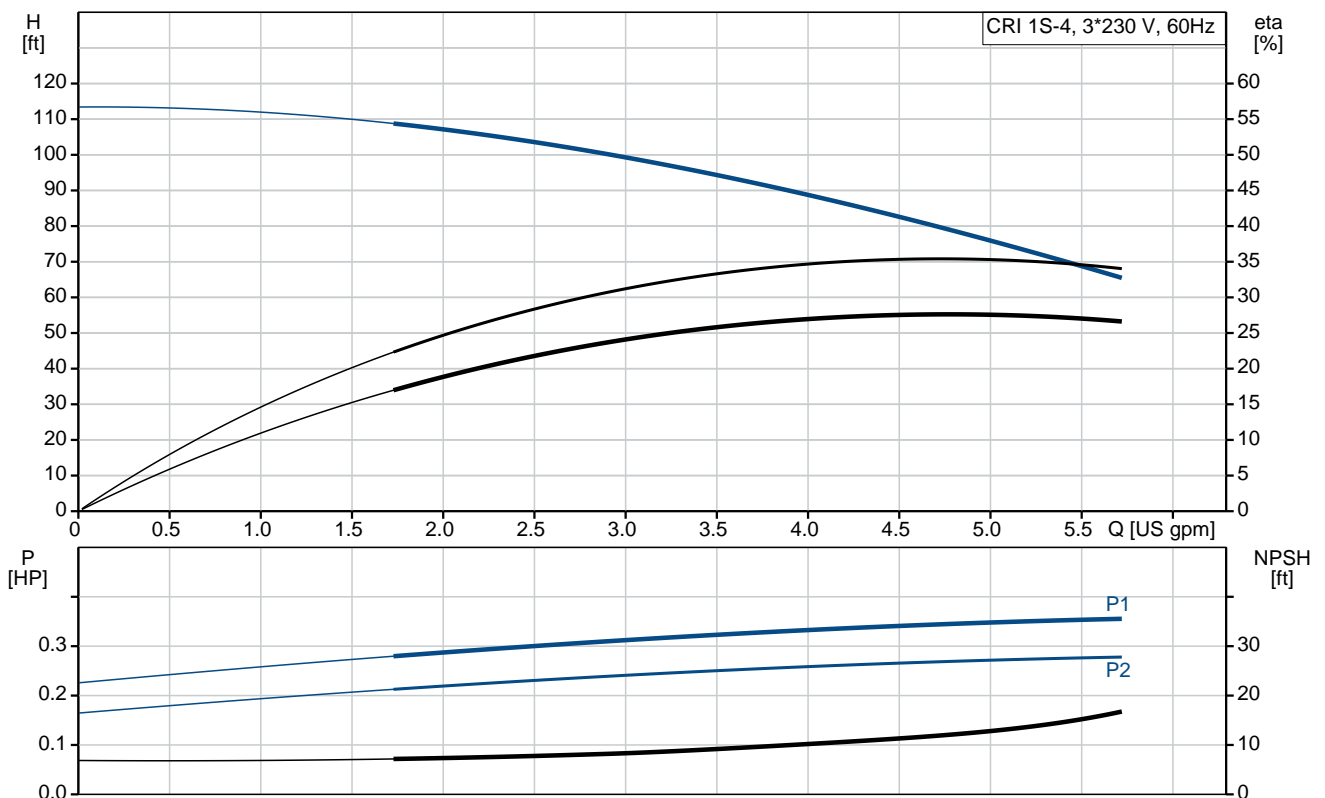


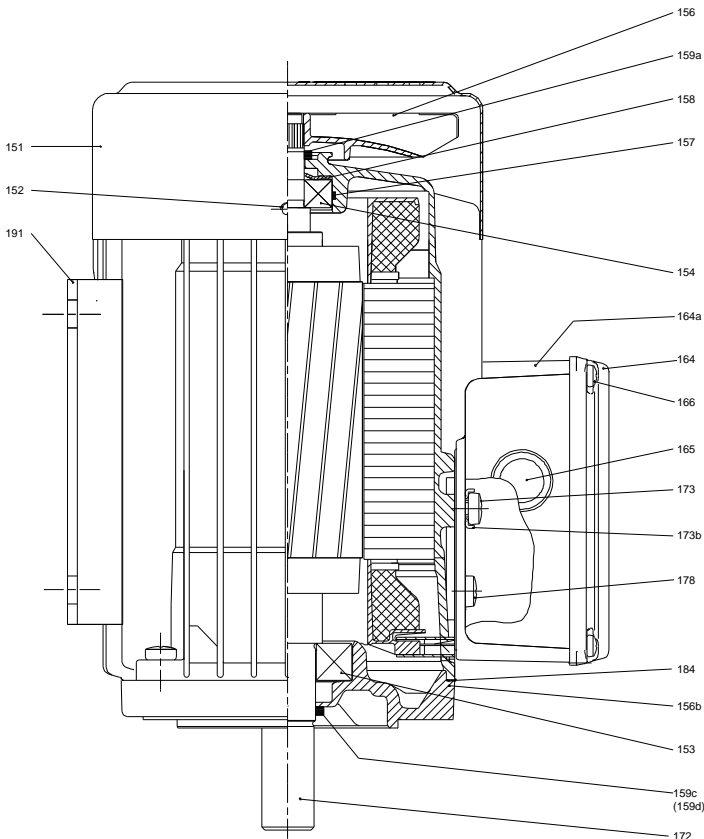
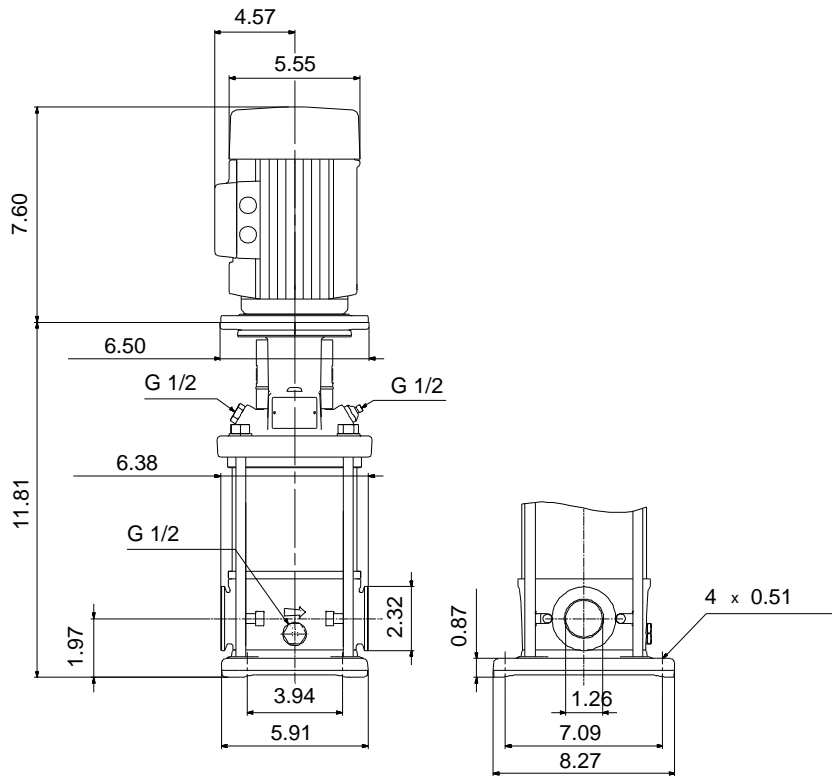
### CRI 1S-4 A-CA-A-V-HQQV

Vertical, multistage centrifugal pump with suction and discharge ports on the same level. The pump head and base are in cast iron. All wetted parts are in stainless steel (EN 1.4301) (AISI 304)

Product photo could vary from the actual product


| Conditions of Service   | Pump Data  | Motor Data                       |
|-------------------------|--|----------------------------------|
| Flow: _____             | Max pressure at stated temperature: 363 psi / 194 °F | Rated power - P2: 0.33 HP        |
| Head: _____             | Liquid temperature range: -4 .. 194 °F               | Rated voltage: 208-230YY/460Y V  |
| Efficiency: _____       | Maximum ambient temperature: 104 °F                  | Main frequency: 60 Hz            |
| Liquid: Water           | Approvals: CURUS                                     | Enclosure class: 55 Dust/Jetting |
| Temperature: 68 °F      | Shaft seal: HQQV                                     | Insulation class: F              |
| NPSH required: ft       | Product number: 96081310                             | Motor protection: NONE           |
| Viscosity: _____        |  | Motor type: 71AA                 |
| Specific Gravity: 1.000 |  | Motor_efficiency: 78.5 %         |





**Materials:**

- Base: Stainless steel  
EN 1.4408  
AISI 316
- Impeller: Stainless steel  
AISI 304  
EN 1.4301
- Material code: A
- Code for rubber: V

| Count | Description  |
|-------|--|
| 1     | <p data-bbox="225 338 529 367"><b>CRI 1S-4 A-CA-A-V-HQQV</b></p>  <p data-bbox="225 663 491 692">Product No.: <a href="#">96081310</a></p> <p data-bbox="225 694 748 779">Vertical, non-self-priming, multistage, in-line, centrifugal pump for installation in pipe systems and mounting on a foundation.</p> <p data-bbox="225 810 703 840">The pump has the following characteristics:</p> <ul data-bbox="264 842 782 1016" style="list-style-type: none"> <li>- Impellers, intermediate chambers and outer sleeve are made of</li> <li>- Pump head cover and base are made of</li> <li>- The shaft seal has assembly length according to EN 12756.</li> <li>- Power transmission is via cast iron split coupling.</li> </ul> <p data-bbox="225 1048 424 1077">flanges/couplings.</p> <p data-bbox="225 1108 600 1137">The motor is a 3-phase AC motor.</p> <p data-bbox="225 1169 336 1198"><b>Controls:</b></p> <p data-bbox="225 1200 660 1229">Frequency converter: NONE</p> <p data-bbox="225 1261 309 1290"><b>Liquid:</b></p> <p data-bbox="225 1292 660 1321">Pumped liquid: Water</p> <p data-bbox="225 1323 715 1352">Liquid temperature range: -4 .. 194 °F</p> <p data-bbox="225 1355 708 1384">Liquid temperature during operation: 68 °F</p> <p data-bbox="225 1386 708 1415">Density: 62.29 lb/ft<sup>3</sup></p> <p data-bbox="225 1447 347 1476"><b>Technical:</b></p> <p data-bbox="225 1478 695 1507">Rated pump speed: 3425 rpm</p> <p data-bbox="225 1509 735 1538">Rated flow: 4.84 US gpm</p> <p data-bbox="225 1541 660 1570">Rated head: 77.1 ft</p> <p data-bbox="225 1572 675 1601">Pump orientation: Vertical</p> <p data-bbox="225 1603 660 1632">Shaft seal arrangement: Single</p> <p data-bbox="225 1635 660 1664">Code for shaft seal: HQQV</p> <p data-bbox="225 1666 679 1695">Approvals on nameplate: CURUS</p> <p data-bbox="225 1697 788 1727">Curve tolerance: ISO9906:2012 3B</p> <p data-bbox="225 1758 341 1787"><b>Materials:</b></p> <p data-bbox="225 1792 751 1848">Base: Stainless steel<br/>EN 1.4408<br/>AISI 316</p> <p data-bbox="225 1859 751 1937">Impeller: Stainless steel<br/>EN 1.4301<br/>AISI 304</p> <p data-bbox="225 1948 632 1977">Bearing: SIC</p> <p data-bbox="225 2009 365 2038"><b>Installation:</b></p> <p data-bbox="225 2040 663 2069">Maximum ambient temperature: 104 °F</p> <p data-bbox="225 2072 671 2101">Maximum operating pressure: 363 psi</p> |



Company name: pfc equipment

Created by:

Phone:

Date: 12/18/2018

| Count | Description   |
|-------|---|
|       | Max pressure at stated temperature: 363 psi / 194 °F<br>363 psi / -4 °F |
|       | Type of connection: FlexiClamp  |
|       | Size of inlet connection: DN 32   |
|       | Size of suction port: 1 1/4 inch  |
|       | Size of outlet connection: DN 32  |
|       | Size of outlet port: 1 1/4 inch   |
|       | Pressure rating for pipe connection: PN 25                              |
|       | Flange size for motor: 56C  |
|       | <b>Electrical data:</b>   |
|       | Motor standard: NEMA  |
|       | Motor type: 71AA  |
|       | Rated power - P2: 0.33 HP   |
|       | Power (P2) required by pump: 0.33 HP                                    |
|       | Main frequency: 60 Hz   |
|       | Rated voltage: 3 x 208-230YY/460Y V                                     |
|       | Service factor: 1.35  |
|       | Rated current: 1,12-1,10/0,55 A   |
|       | Starting current: 630-700 %   |
|       | Cos phi - power factor: 0.81-0.75                                       |
|       | Rated speed: 3450-3480 rpm  |
|       | Motor efficiency at full load: 78.5 %                                   |
|       | Number of poles: 2  |
|       | Enclosure class (IEC 34-5): 55 Dust/Jetting                             |
|       | Insulation class (IEC 85): F  |
|       | <b>Others:</b>  |
|       | Net weight: 42.7 lb   |
|       | Gross weight: 53.7 lb   |
|       | Shipping volume: 4.94 ft <sup>3</sup>                                   |
|       | Country of origin: US   |
|       | Custom tariff no.: 8413.70.2040   |



Company name: pfc equipment

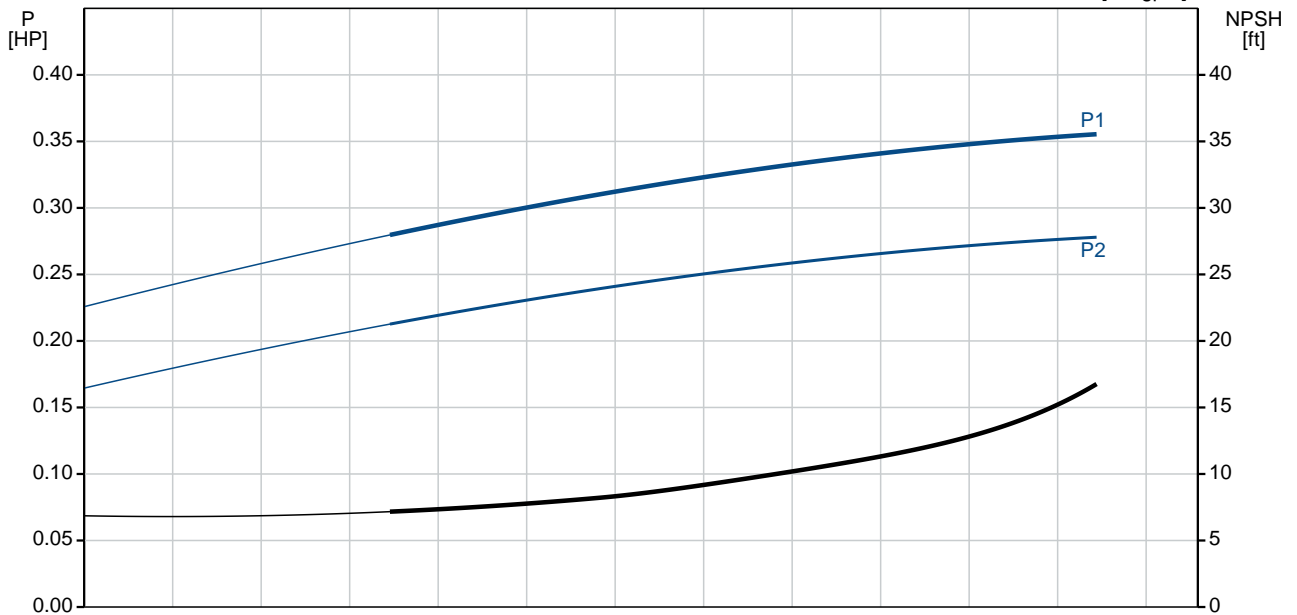
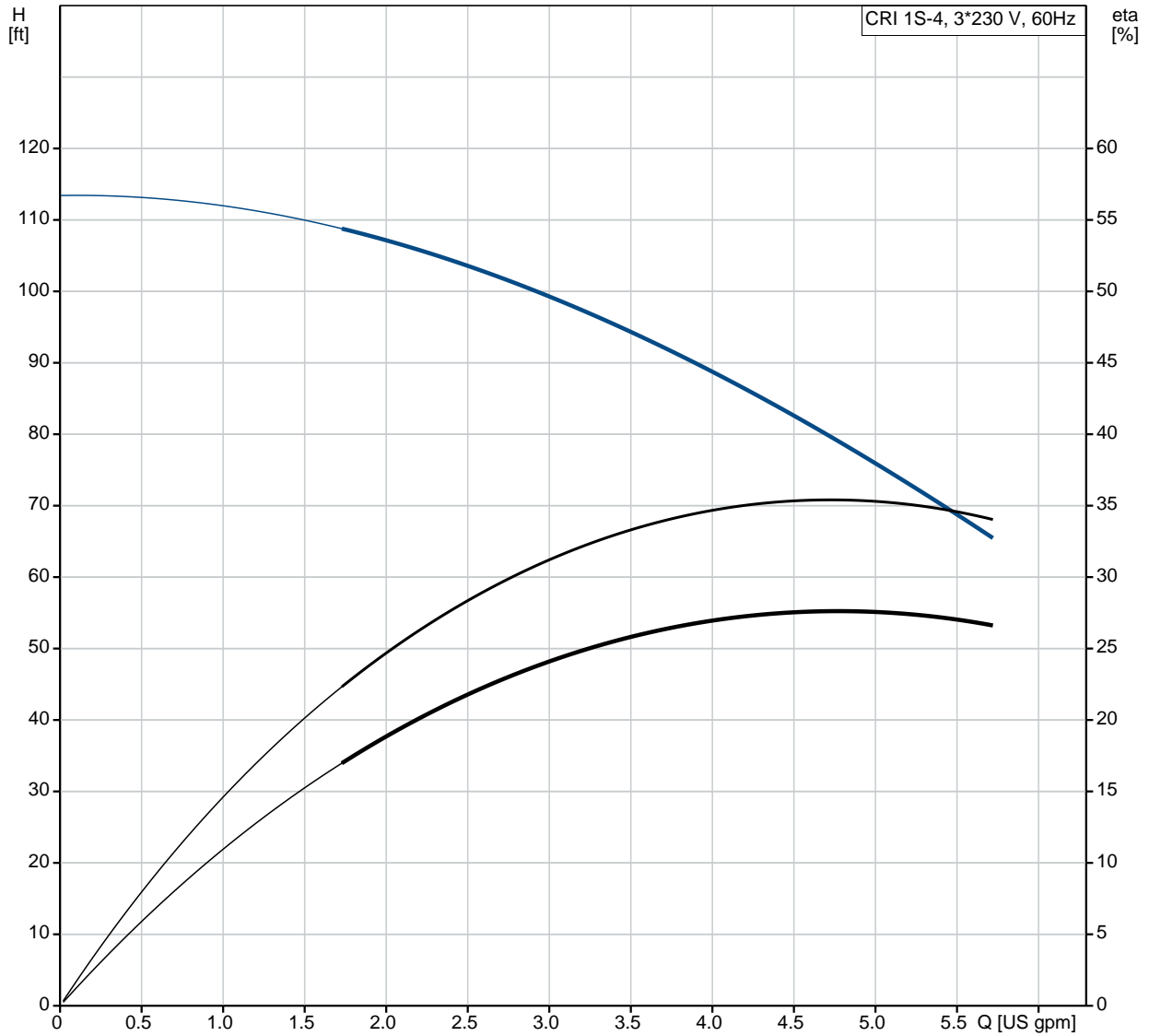
Created by:

Phone:

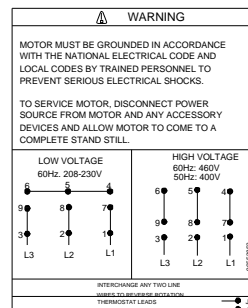
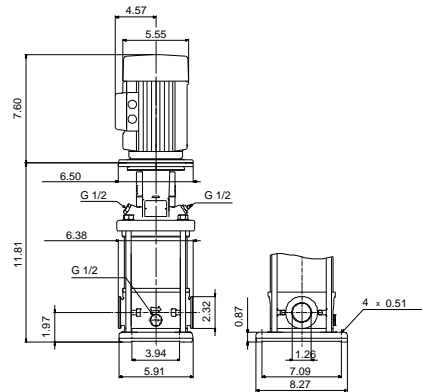
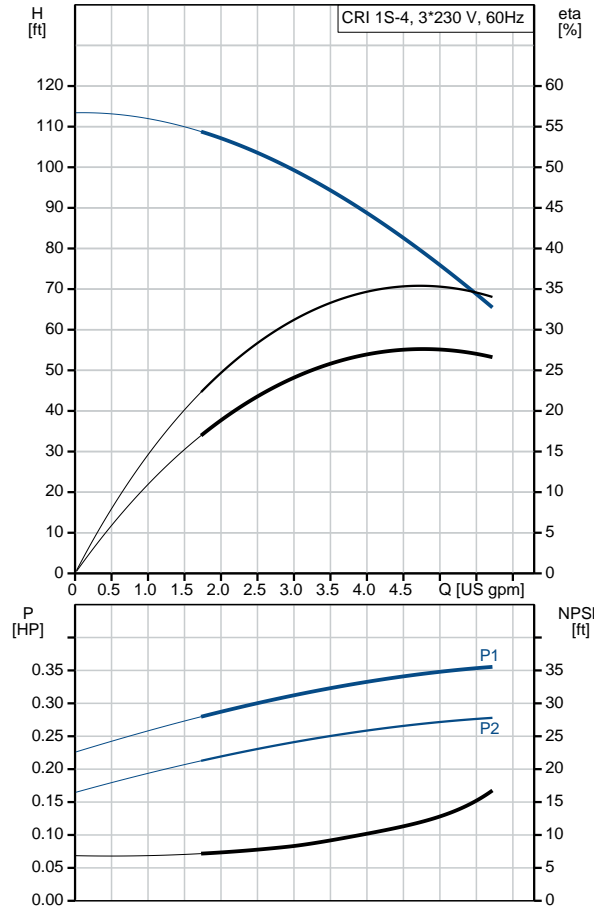
Date:

12/18/2018

### 96081310 CRI 1S-4 A-CA-A-V-HQQV 60 Hz



| Description                           | Value                                    |
|---------------------------------------|--|
| <b>General information:</b>           |  |
| Product name:                         | CRI 1S-4 A-CA-A-V-HQQV                   |
| Product No.:                          | 96081310                                 |
| EAN:                                  | 5700395164619                            |
| <b>Technical:</b>                     |  |
| Rated pump speed:                     | 3425 rpm                                 |
| Rated flow:                           | 4.84 US gpm                              |
| Rated head:                           | 77.1 ft                                  |
| Head max:                             | 112.5 ft                                 |
| Stages:                               | 4  |
| Impellers:                            | 4  |
| Number of reduced-diameter impellers: | 0  |
| Low NPSH:                             | No                                       |
| Pump orientation:                     | Vertical                                 |
| Shaft seal arrangement:               | Single                                   |
| Code for shaft seal:                  | HQQV                                     |
| Approvals on nameplate:               | CURUS                                    |
| Curve tolerance:                      | ISO9906:2012 3B                          |
| Pump version:                         | A  |
| Model:                                | A  |
| Cooling:                              | TEFC                                     |
| <b>Materials:</b>                     |  |
| Base:                                 | Stainless steel<br>EN 1.4408<br>AISI 316 |
| Impeller:                             | Stainless steel<br>EN 1.4301<br>AISI 304 |
| Material code:                        | A  |
| Code for rubber:                      | V  |
| Bearing:                              | SIC                                      |
| <b>Installation:</b>                  |  |
| Maximum ambient temperature:          | 104 °F                                   |
| Maximum operating pressure:           | 363 psi                                  |
| Max pressure at stated temperature:   | 363 psi / 194 °F<br>363 psi / -4 °F      |
| Type of connection:                   | FlexiClamp                               |
| Size of inlet connection:             | DN 32                                    |
| Size of suction port:                 | 1 1/4 inch                               |
| Size of outlet connection:            | DN 32                                    |
| Size of outlet port:                  | 1 1/4 inch                               |
| Pressure rating for pipe connection:  | PN 25                                    |
| Flange size for motor:                | 56C                                      |
| Connect code:                         | CA                                       |
| <b>Liquid:</b>                        |  |
| Pumped liquid:                        | Water                                    |
| Liquid temperature range:             | -4 .. 194 °F                             |
| Liquid temperature during operation:  | 68 °F                                    |
| Density:                              | 62.29 lb/ft <sup>3</sup>                 |
| <b>Electrical data:</b>               |  |
| Motor standard:                       | NEMA                                     |
| Motor type:                           | 71AA                                     |
| Rated power - P1:                     | 0.33 HP                                  |
| Power (P2) required by pump:          | 0.33 HP                                  |
| Main frequency:                       | 60 Hz                                    |
| Rated voltage:                        | 3 x 208-230YY/460Y V                     |
| Service factor:                       | 1.35                                     |





Company name: pfc equipment

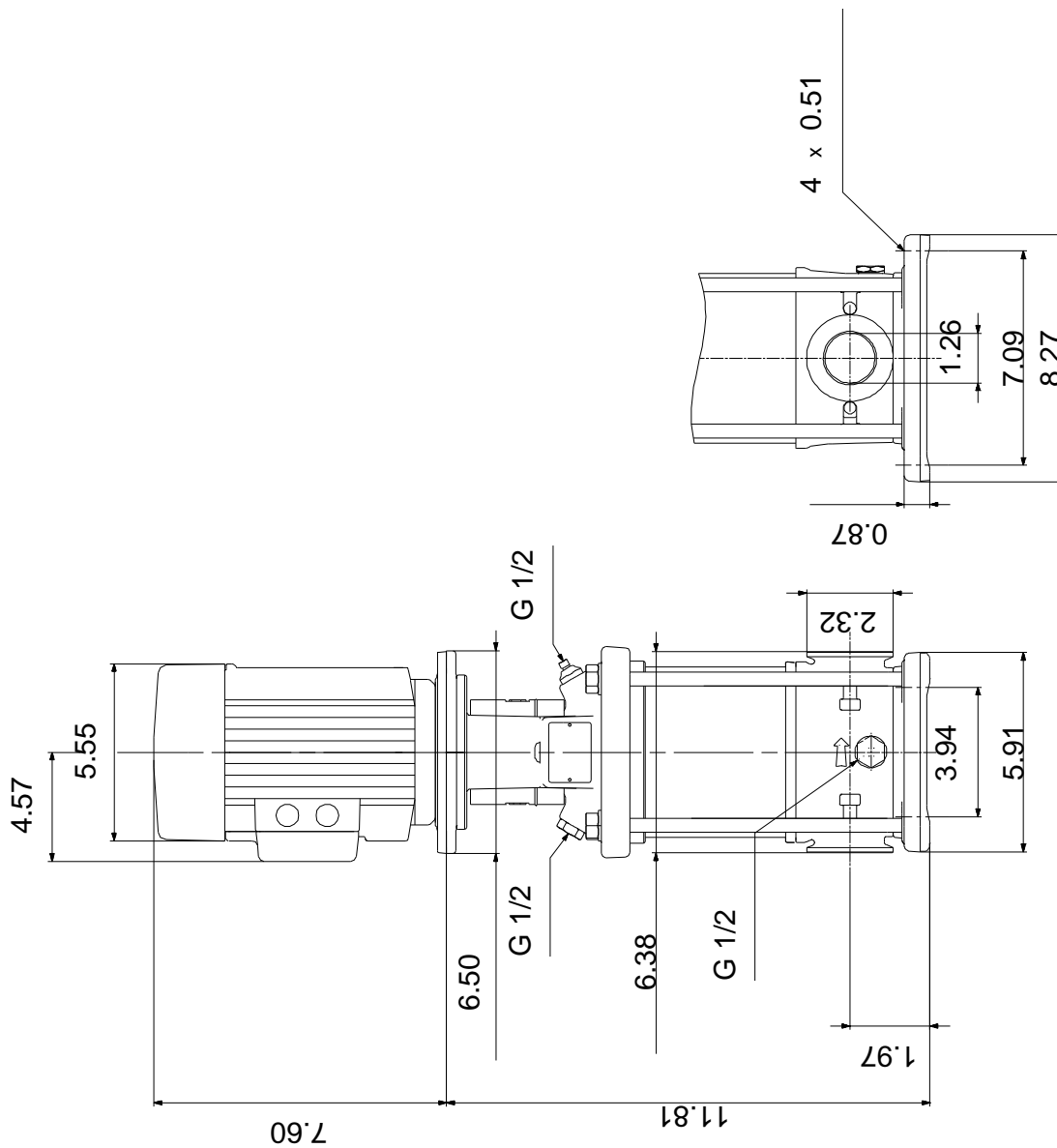
Created by:

Phone:

Date: 12/18/2018

| Description                    | Value                |
|--------------------------------|----------------------|
| Rated current:                 | 1,12-1,10/0,55 A     |
| Starting current:              | 630-700 %            |
| Load current:                  | 1,5-1,45/0,75 A      |
| Cos phi - power factor:        | 0.81-0.75            |
| Rated speed:                   | 3450-3480 rpm        |
| Motor efficiency at full load: | 78.5 %               |
| Number of poles:               | 2                    |
| Enclosure class (IEC 34-5):    | 55 Dust/Jetting      |
| Insulation class (IEC 85):     | F                    |
| Motor protection:              | NONE                 |
| Motor Number:                  | 85900700             |
| <b>Controls:</b>               |                      |
| Frequency converter:           | NONE                 |
| <b>Others:</b>                 |                      |
| Net weight:                    | 42.7 lb              |
| Gross weight:                  | 53.7 lb              |
| Shipping volume:               | 4.94 ft <sup>3</sup> |
| Country of origin:             | US                   |
| Custom tariff no.:             | 8413.70.2040         |

**96081310 CRI 1S-4 A-CA-A-V-HQQV 60 Hz**



Note! All units are in [mm] unless otherwise stated.  
 Disclaimer: This simplified dimensional drawing does not show all details.



## 96081310 CRI 1S-4 A-CA-A-V-HQQV 60 Hz

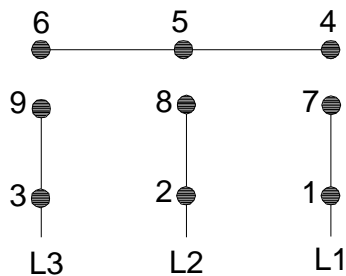


### WARNING

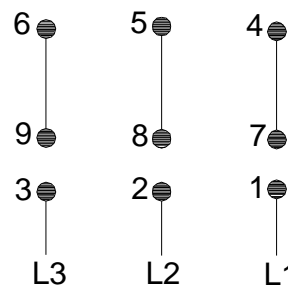
MOTOR MUST BE GROUNDED IN ACCORDANCE WITH THE NATIONAL ELECTRICAL CODE AND LOCAL CODES BY TRAINED PERSONNEL TO PREVENT SERIOUS ELECTRICAL SHOCKS.

TO SERVICE MOTOR, DISCONNECT POWER SOURCE FROM MOTOR AND ANY ACCESSORY DEVICES AND ALLOW MOTOR TO COME TO A COMPLETE STAND STILL.

#### LOW VOLTAGE 60Hz. 208-230V



#### HIGH VOLTAGE 60Hz: 460V 50Hz: 400V



96553852

INTERCHANGE ANY TWO LINE WIRES TO REVERSE ROTATION  
THERMOSTAT LEADS  
(WHEN PROVIDED)

