

PROJECT: _____	UNIT TAG: _____	QUANTITY: _____
REPRESENTATIVE: _____	TYPE OF SERVICE: _____	DATE: _____
ENGINEER: _____	SUBMITTED BY: _____	DATE: _____
CONTRACTOR: _____	APPROVED BY: _____	DATE: _____
	ORDER NO.: _____	DATE: _____

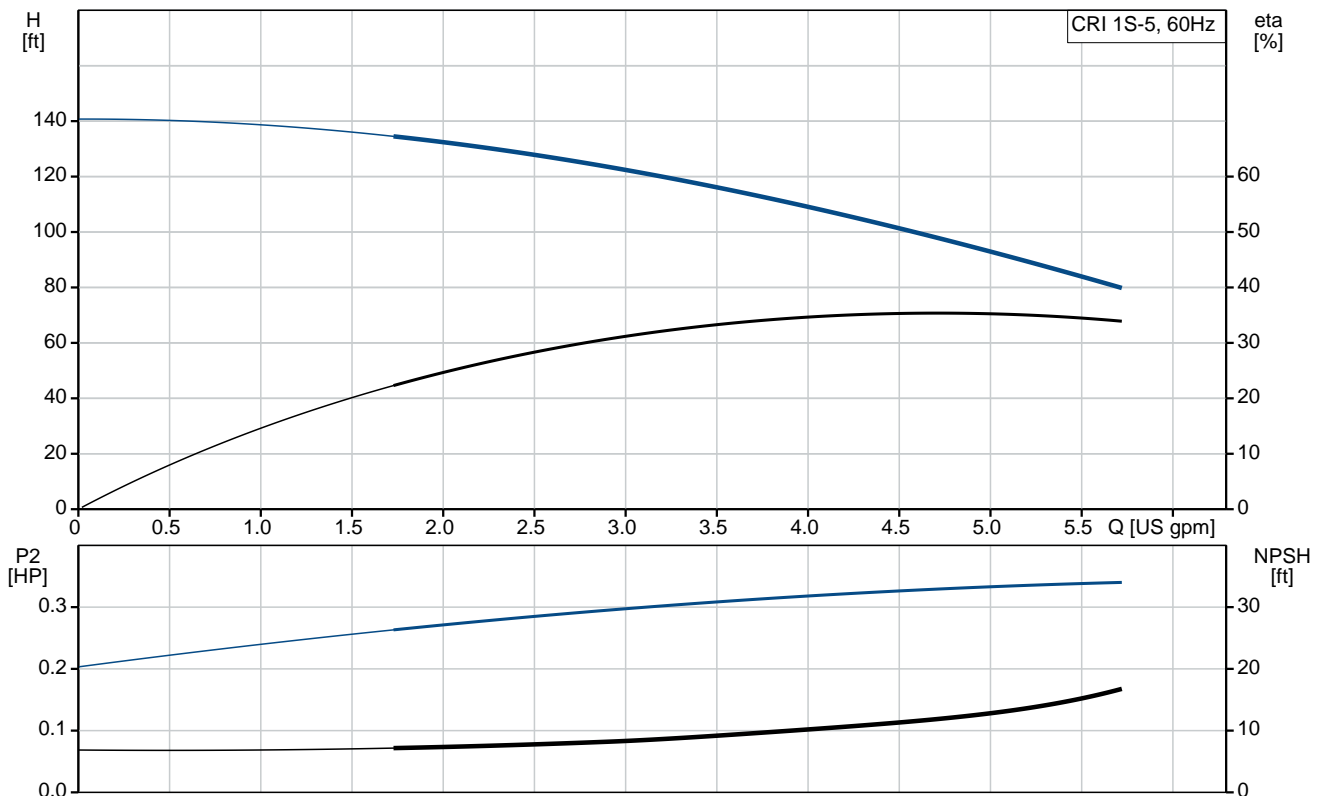


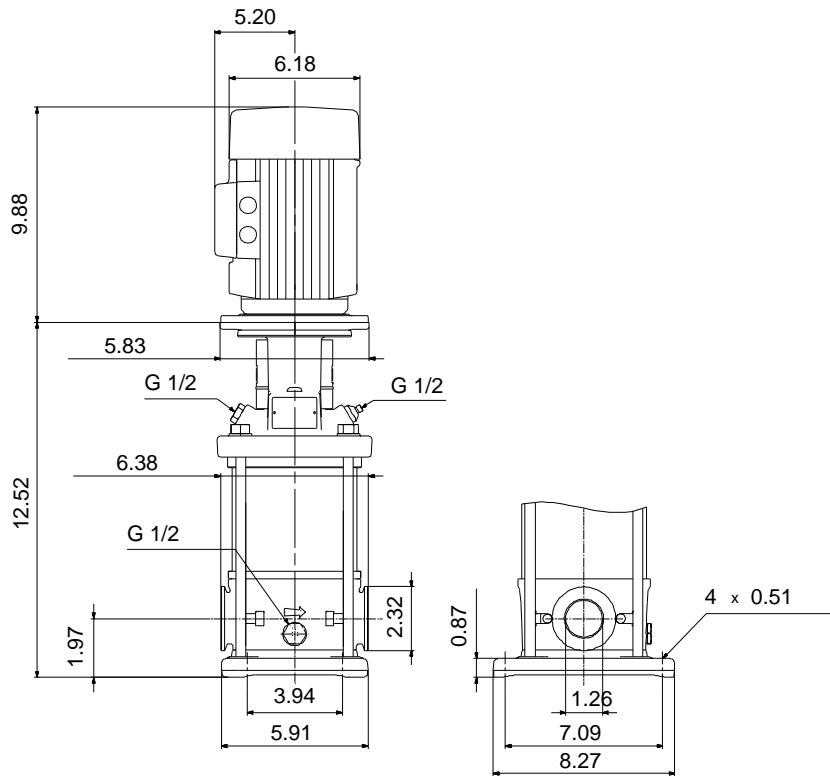
### CRI 1S-5 A-CA-A-V-HQQV

Vertical, multistage centrifugal pump with suction and discharge ports on the same level. The pump head and base are in cast iron. All wetted parts are in stainless steel (EN 1.4301) (AISI 304)

Product photo could vary from the actual product

Conditions of Service	Pump Data	Motor Data
Flow: _____	Max pressure at stated temperature: 363 psi / 194 °F	Rated power - P2: 0.33 HP
Head: _____	Liquid temperature range: -4 .. 194 °F	Rated voltage: 115/230 V
Efficiency: _____	Maximum ambient temperature: 104 °F	Main frequency: 60 Hz
Liquid: Water	Approvals: CURUS	Insulation class: B
Temperature: 68 °F	Shaft seal: HQQV	Motor type: Baldor
NPSH required: ft	Product number: 96081311	
Viscosity: _____		
Specific Gravity: 1.000		






**Materials:**

Base: Stainless steel  
 EN 1.4408  
 AISI 316

Impeller: Stainless steel  
 AISI 304  
 EN 1.4301

Material code: A  
 Code for rubber: V

Count	Description
1	<p data-bbox="225 338 531 367"><b>CRI 1S-5 A-CA-A-V-HQQV</b></p> <div data-bbox="368 383 466 629" style="text-align: center;">  </div> <p data-bbox="225 660 491 689">Product No.: <a href="#">96081311</a></p> <p data-bbox="225 689 750 779">Vertical, non-self-priming, multistage, in-line, centrifugal pump for installation in pipe systems and mounting on a foundation.</p> <p data-bbox="225 808 703 837">The pump has the following characteristics:</p> <ul style="list-style-type: none"> <li data-bbox="264 837 783 898">- Impellers, intermediate chambers and outer sleeve are made of</li> <li data-bbox="264 898 746 927">- Pump head cover and base are made of</li> <li data-bbox="264 927 692 987">- The shaft seal has assembly length according to EN 12756.</li> <li data-bbox="264 987 735 1077">- Power transmission is via cast iron split coupling. flanges/couplings.</li> </ul> <p data-bbox="225 1106 601 1135">The motor is a 1-phase AC motor.</p> <p data-bbox="225 1164 339 1193"><b>Controls:</b></p> <p data-bbox="225 1193 663 1223">Frequency converter: NONE</p> <p data-bbox="225 1252 312 1281"><b>Liquid:</b></p> <p data-bbox="225 1281 659 1310">Pumped liquid: Water</p> <p data-bbox="225 1310 715 1339">Liquid temperature range: -4 .. 194 °F</p> <p data-bbox="225 1339 708 1368">Liquid temperature during operation: 68 °F</p> <p data-bbox="225 1368 708 1397">Density: 62.29 lb/ft³</p> <p data-bbox="225 1426 352 1456"><b>Technical:</b></p> <p data-bbox="225 1456 697 1485">Rated pump speed: 3436 rpm</p> <p data-bbox="225 1485 735 1514">Rated flow: 4.84 US gpm</p> <p data-bbox="225 1514 676 1543">Rated head: 96.13 ft</p> <p data-bbox="225 1543 676 1572">Pump orientation: Vertical</p> <p data-bbox="225 1572 663 1601">Shaft seal arrangement: Single</p> <p data-bbox="225 1601 663 1630">Code for shaft seal: HQQV</p> <p data-bbox="225 1630 681 1659">Approvals on nameplate: CURUS</p> <p data-bbox="225 1659 788 1688">Curve tolerance: ISO9906:2012 3B</p> <p data-bbox="225 1718 344 1747"><b>Materials:</b></p> <p data-bbox="225 1747 751 1836">Base: Stainless steel EN 1.4408 AISI 316</p> <p data-bbox="225 1836 751 1926">Impeller: Stainless steel EN 1.4301 AISI 304</p> <p data-bbox="225 1926 633 1955">Bearing: SIC</p> <p data-bbox="225 1984 368 2013"><b>Installation:</b></p> <p data-bbox="225 2013 663 2042">Maximum ambient temperature: 104 °F</p> <p data-bbox="225 2042 671 2072">Maximum operating pressure: 363 psi</p>



Company name: pfc equipment

Created by:

Phone:

Date: 12/18/2018

Count	Description
	Max pressure at stated temperature: 363 psi / 194 °F 363 psi / -4 °F
	Type of connection: FlexiClamp
	Size of inlet connection: DN 32
	Size of suction port: 1 1/4 inch
	Size of outlet connection: DN 32
	Size of outlet port: 1 1/4 inch
	Pressure rating for pipe connection: PN 25
	Flange size for motor: 56C
	<b>Electrical data:</b>
	Motor standard: NEMA
	Motor type: Baldor
	Rated power - P2: 0.33 HP
	Power (P2) required by pump: 0.33 HP
	Main frequency: 60 Hz
	Rated voltage: 1 x 115/230 V
	Service factor: 1.35
	Rated current: 6.00/3.00 A
	Rated speed: 3450 rpm
	Number of poles: 2
	Insulation class (IEC 85): B
	<b>Others:</b>
	Net weight: 45.6 lb
	Gross weight: 56.6 lb
	Shipping volume: 4.94 ft <sup>3</sup>
	Country of origin: US
	Custom tariff no.: 8413.70.2040



Company name: pfc equipment

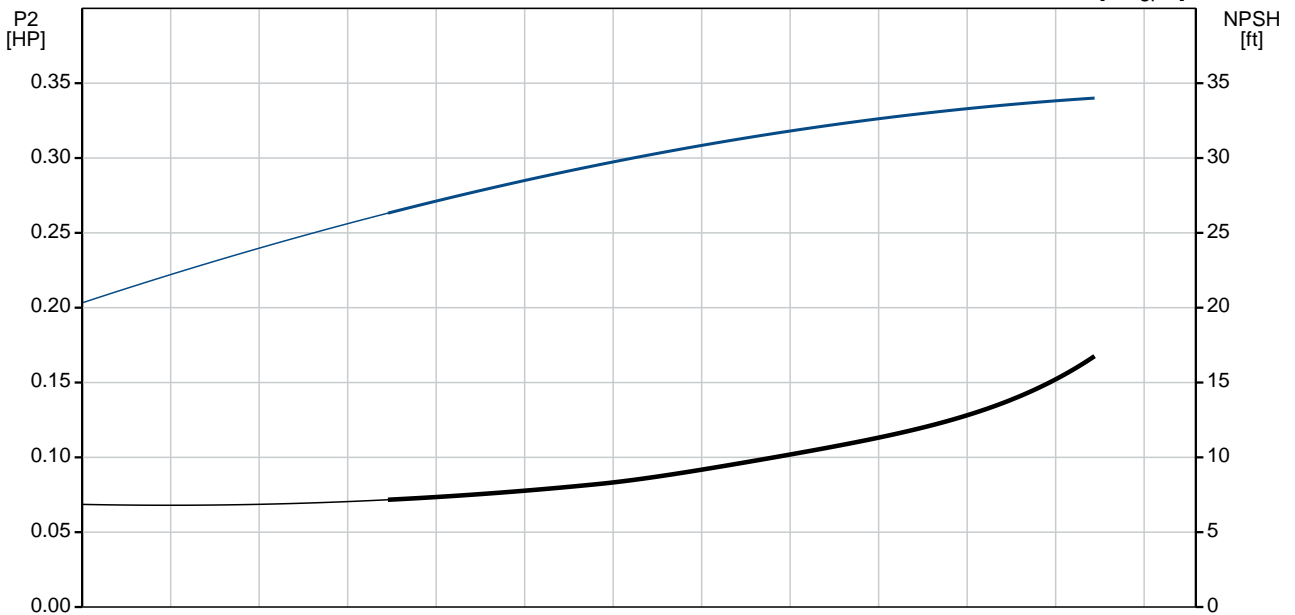
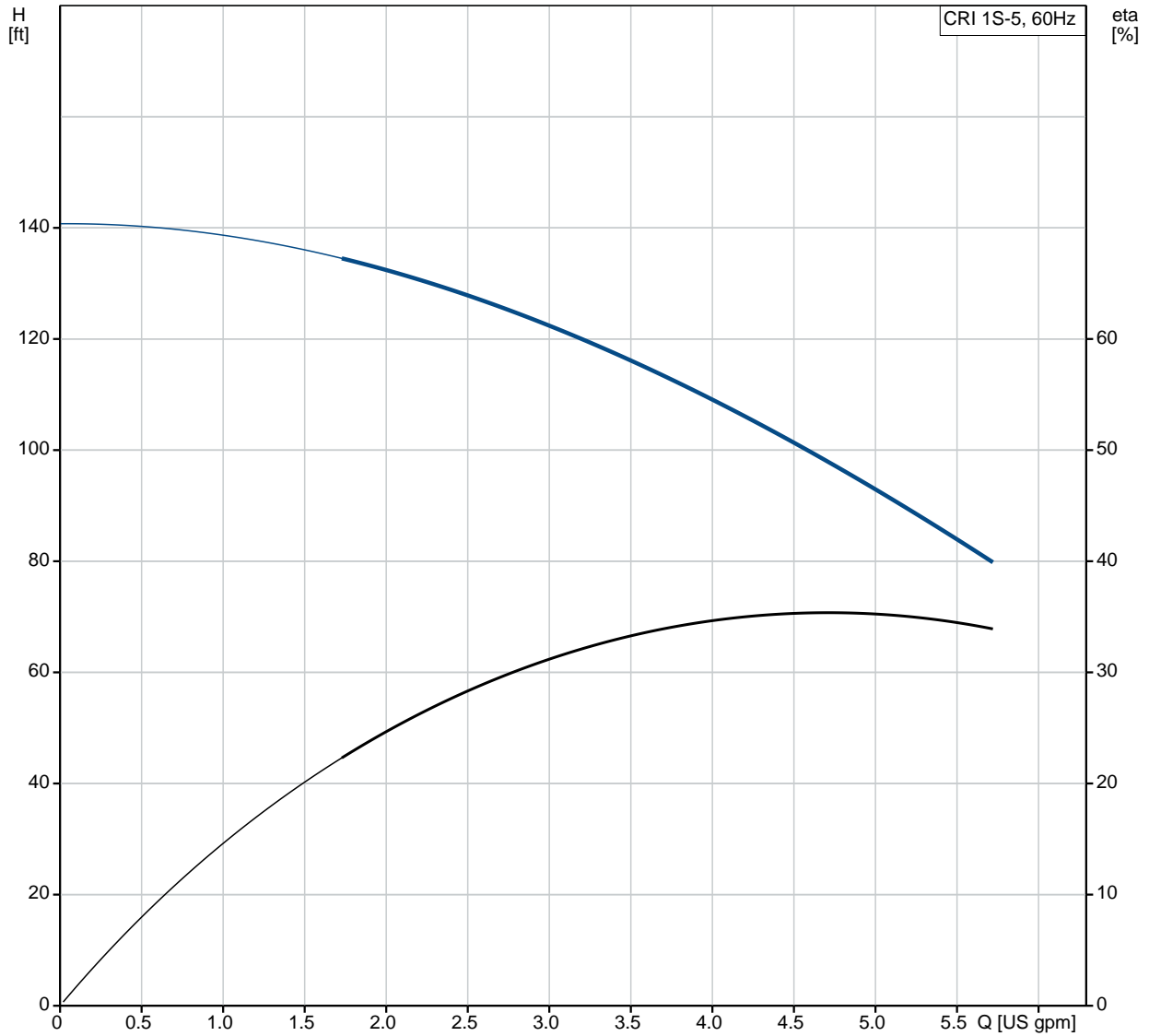
Created by:

Phone:

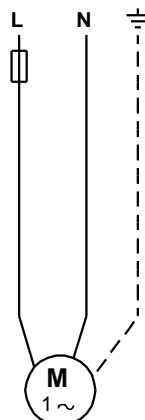
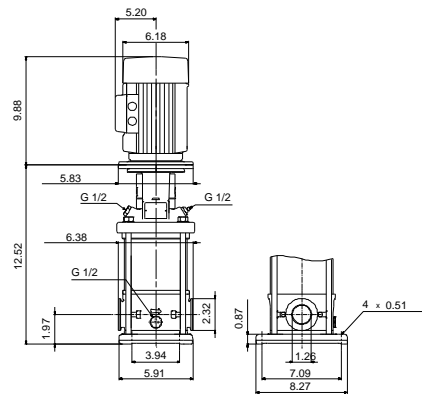
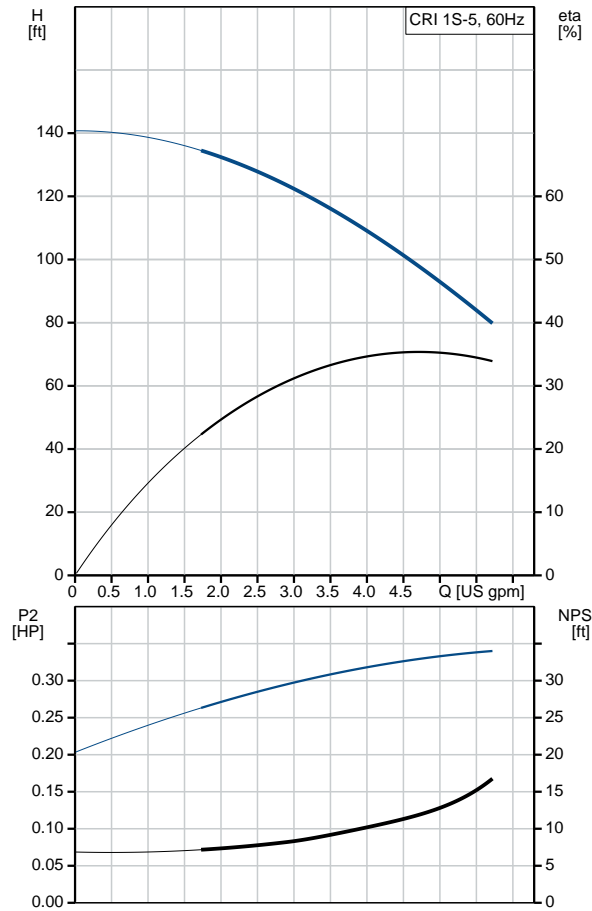
Date:

12/18/2018

### 96081311 CRI 1S-5 A-CA-A-V-HQQV 60 Hz



Description	Value
<b>General information:</b>	
Product name:	CRI 1S-5 A-CA-A-V-HQQV
Product No.:	96081311
EAN:	5700395164626
<b>Technical:</b>	
Rated pump speed:	3436 rpm
Rated flow:	4.84 US gpm
Rated head:	96.13 ft
Head max:	140.8 ft
Stages:	5
Impellers:	5
Number of reduced-diameter impellers:	0
Low NPSH:	No
Pump orientation:	Vertical
Shaft seal arrangement:	Single
Code for shaft seal:	HQQV
Approvals on nameplate:	CURUS
Curve tolerance:	ISO9906:2012 3B
Pump version:	A
Model:	A
Cooling:	TEFC
<b>Materials:</b>	
Base:	Stainless steel EN 1.4408 AISI 316
Impeller:	Stainless steel EN 1.4301 AISI 304
Material code:	A
Code for rubber:	V
Bearing:	SIC
<b>Installation:</b>	
Maximum ambient temperature:	104 °F
Maximum operating pressure:	363 psi
Max pressure at stated temperature:	363 psi / 194 °F 363 psi / -4 °F
Type of connection:	FlexiClamp
Size of inlet connection:	DN 32
Size of suction port:	1 1/4 inch
Size of outlet connection:	DN 32
Size of outlet port:	1 1/4 inch
Pressure rating for pipe connection:	PN 25
Flange size for motor:	56C
Connect code:	CA
<b>Liquid:</b>	
Pumped liquid:	Water
Liquid temperature range:	-4 .. 194 °F
Liquid temperature during operation:	68 °F
Density:	62.29 lb/ft³
<b>Electrical data:</b>	
Motor standard:	NEMA
Motor type:	Baldor
Rated power - P2:	0.33 HP
Power (P2) required by pump:	0.33 HP
Main frequency:	60 Hz
Rated voltage:	1 x 115/230 V
Service factor:	1.35





Company name: pfc equipment

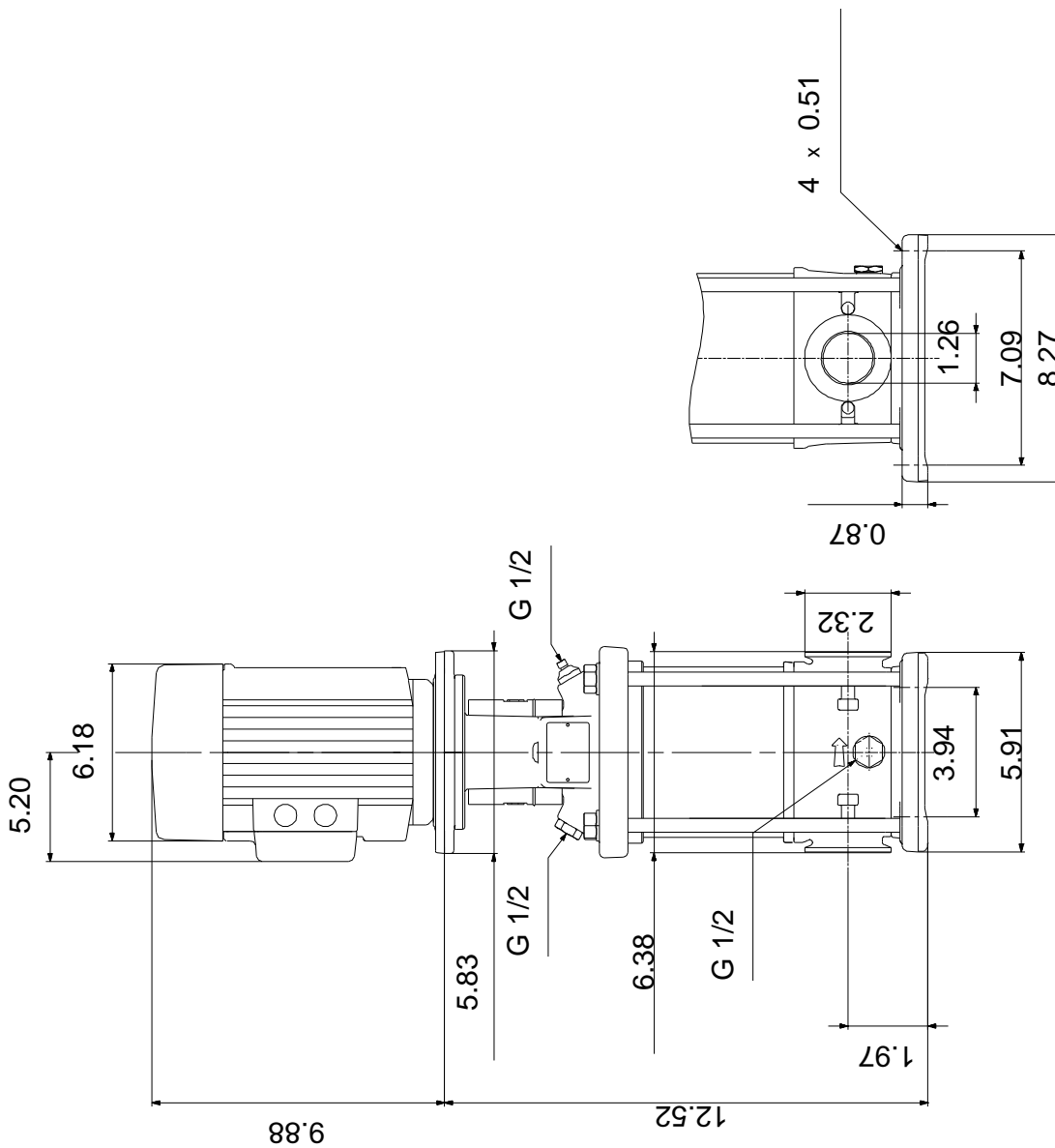
Created by:

Phone:

Date: 12/18/2018

Description	Value
Rated current:	6.00/3.00 A
Load current:	6.8/3.4 A
Rated speed:	3450 rpm
Number of poles:	2
Insulation class (IEC 85):	B
Motor Number:	85680001
<b>Controls:</b>	
Frequency converter:	NONE
<b>Others:</b>	
Net weight:	45.6 lb
Gross weight:	56.6 lb
Shipping volume:	4.94 ft <sup>3</sup>
Country of origin:	US
Custom tariff no.:	8413.70.2040

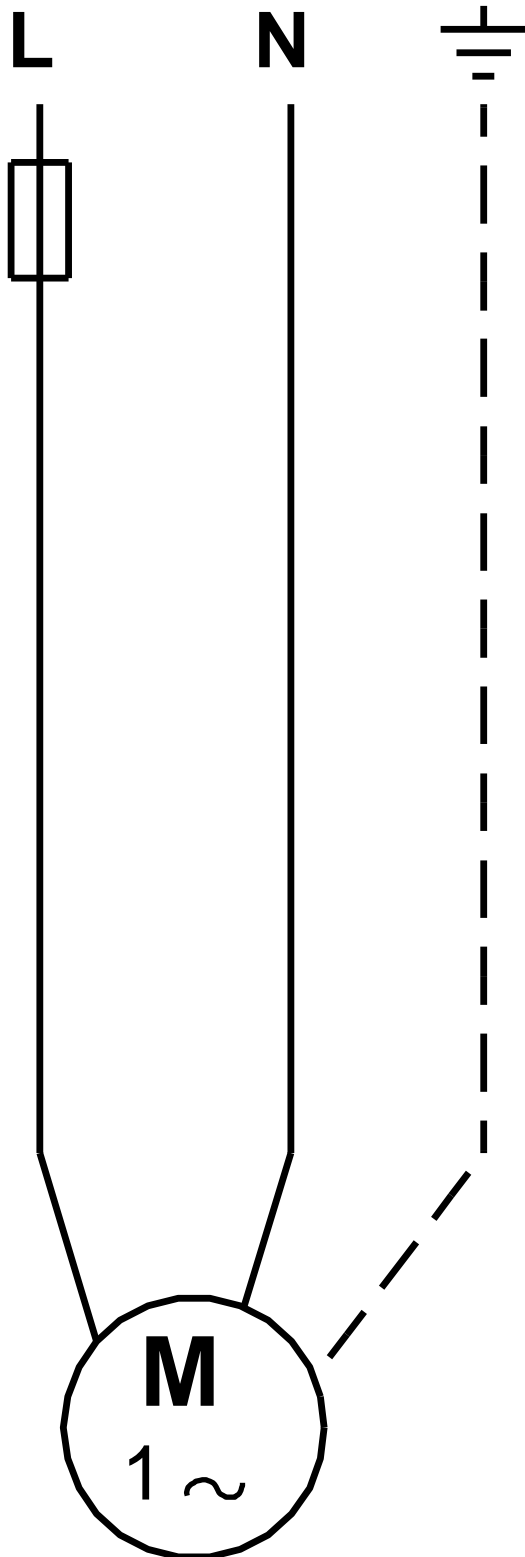
**96081311 CRI 1S-5 A-CA-A-V-HQQV 60 Hz**



Note! All units are in [mm] unless otherwise stated.  
 Disclaimer: This simplified dimensional drawing does not show all details.



**96081311 CRI 1S-5 A-CA-A-V-HQQV 60 Hz**



All units are [mm] unless otherwise presented.