

| | | |
|-----------------------|------------------------|-----------------|
| PROJECT: _____ | UNIT TAG: _____ | QUANTITY: _____ |
| REPRESENTATIVE: _____ | TYPE OF SERVICE: _____ | DATE: _____ |
| ENGINEER: _____ | SUBMITTED BY: _____ | DATE: _____ |
| CONTRACTOR: _____ | APPROVED BY: _____ | DATE: _____ |
| | ORDER NO.: _____ | DATE: _____ |

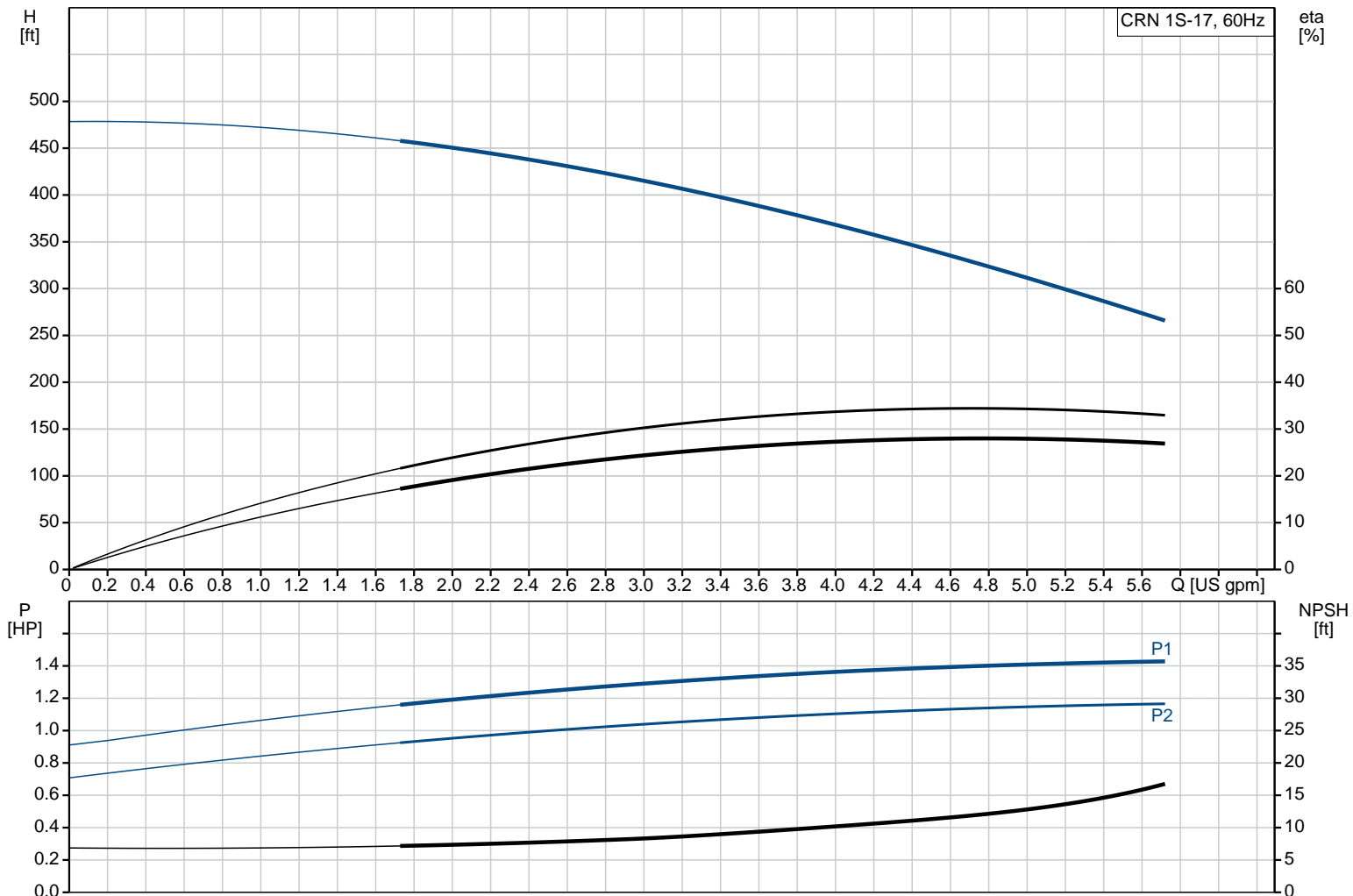


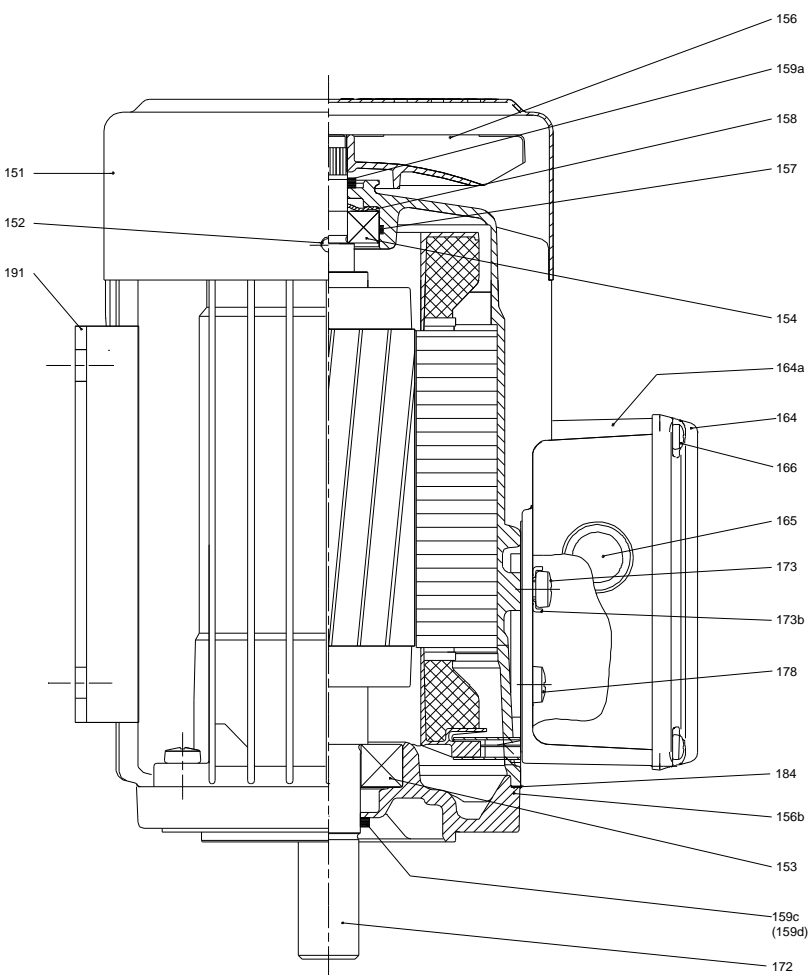
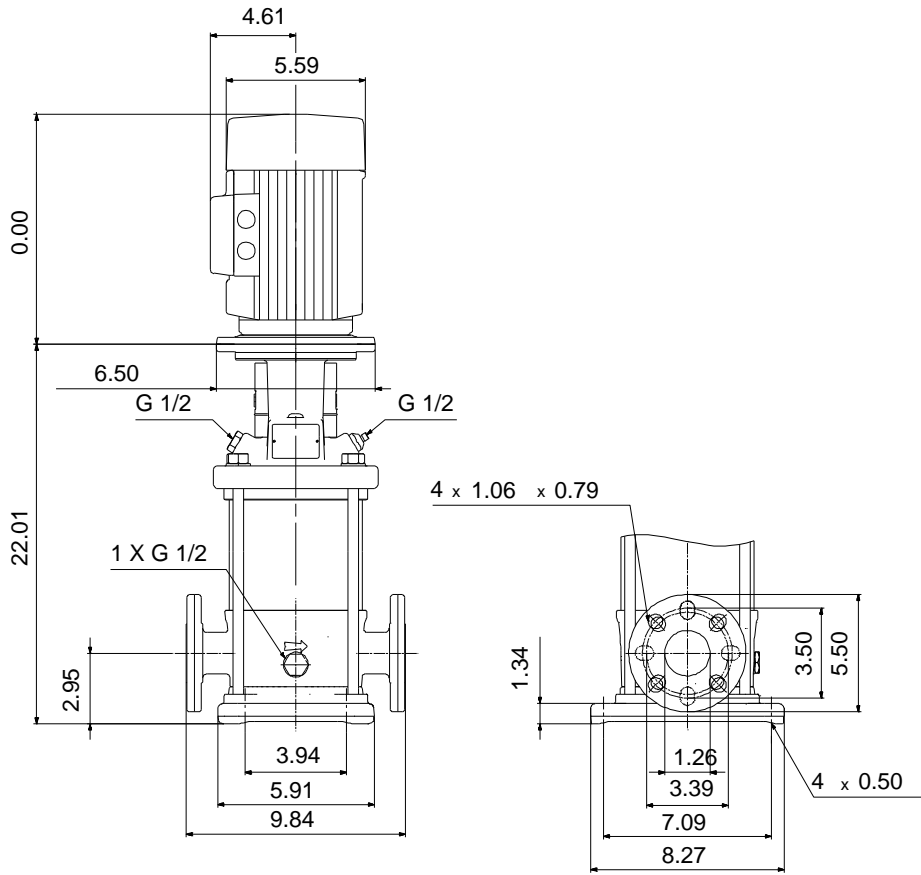
CRN 1S-17 A-FGJ-A-E-HQQE

Vertical, multistage centrifugal pump with suction and discharge ports on same the level. Pump materials in contact with the liquid are in high-grade stainless steel (EN 1.4401) (AISI 316)


Product photo could vary from the actual product

| Conditions of Service | Pump Data | Motor Data |
|-------------------------|--|----------------------------------|
| Flow: _____ | Max pressure at stated temperature: 363 psi / 250 °F | Rated power - P2: 1.5 HP |
| Head: _____ | Liquid temperature range: -4 .. 248 °F | Rated voltage: 208-230YY/460Y V |
| Efficiency: _____ | Maximum ambient temperature: 140 °F | Main frequency: 60 Hz |
| Liquid: Water | Approvals: CURUS,NSF61 | Enclosure class: 55 Dust/Jetting |
| Temperature: 68 °F | Shaft seal: HQQE | Insulation class: F |
| NPSH required: ft | Product number: 96081807 | Motor protection: NONE |
| Viscosity: _____ | | Motor type: 80CA |
| Specific Gravity: 1.000 | | Motor_efficiency: 84.9 % |



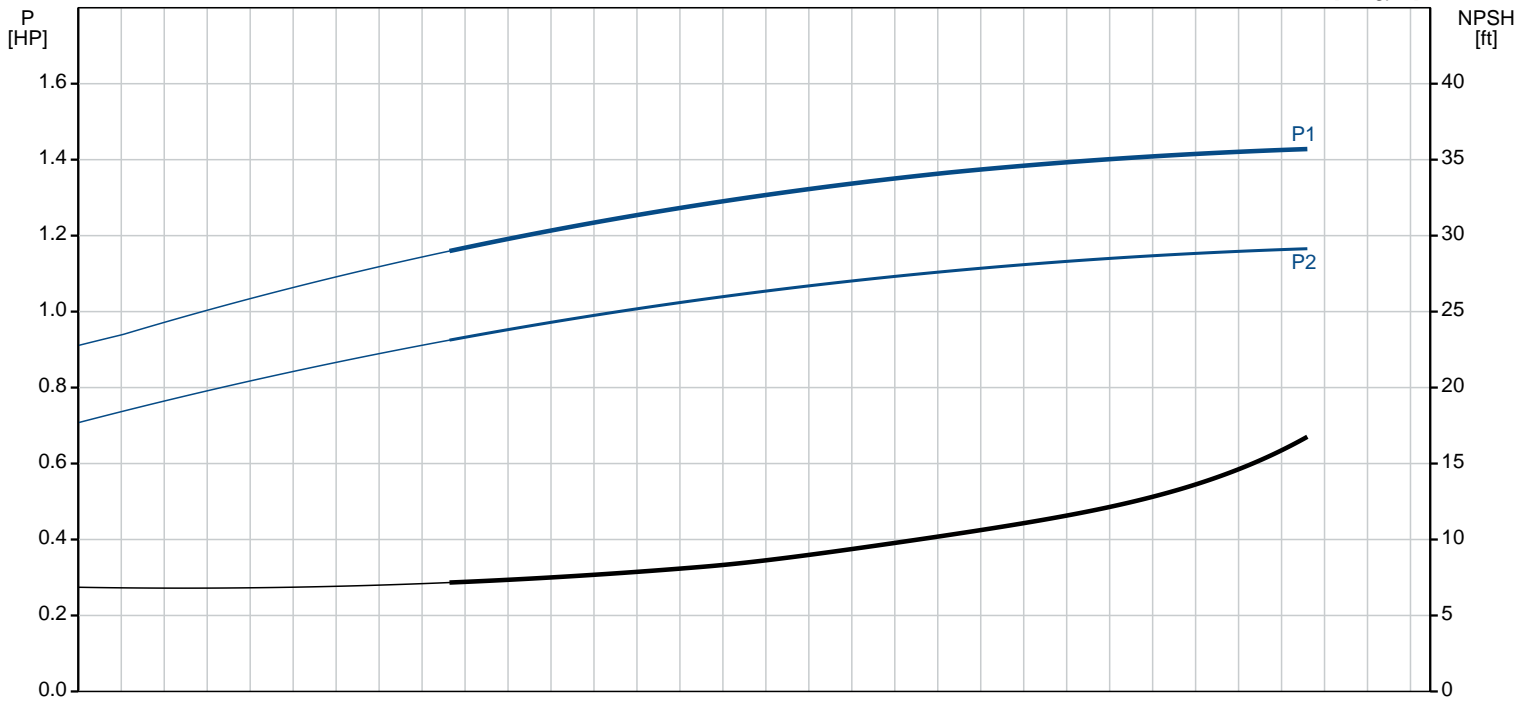
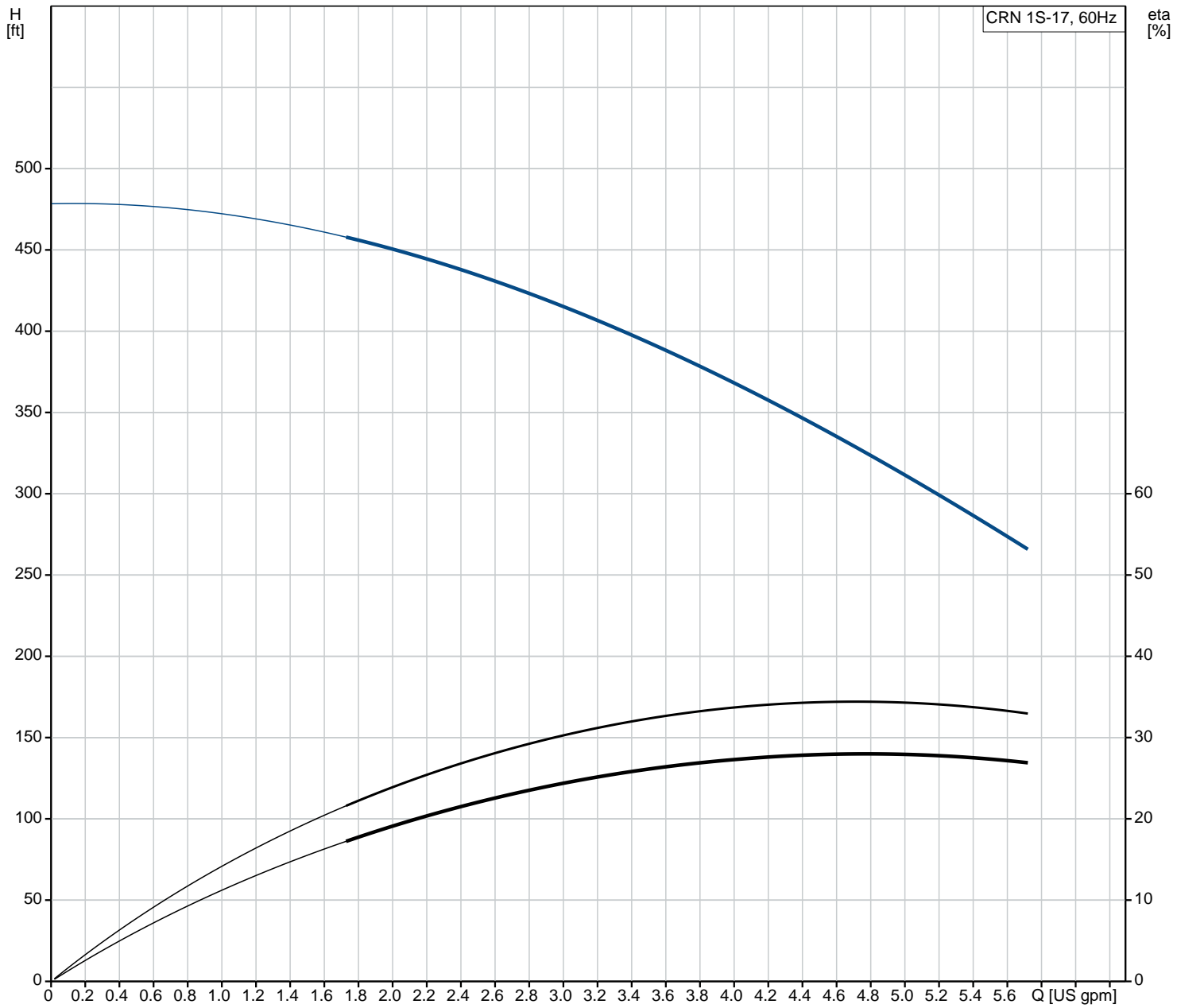


Materials:
 Base: Stainless steel
 EN 1.4408
 AISI 316
 Impeller: Stainless steel
 AISI 316
 EN 1.4401
 Material code: A
 Code for rubber: E

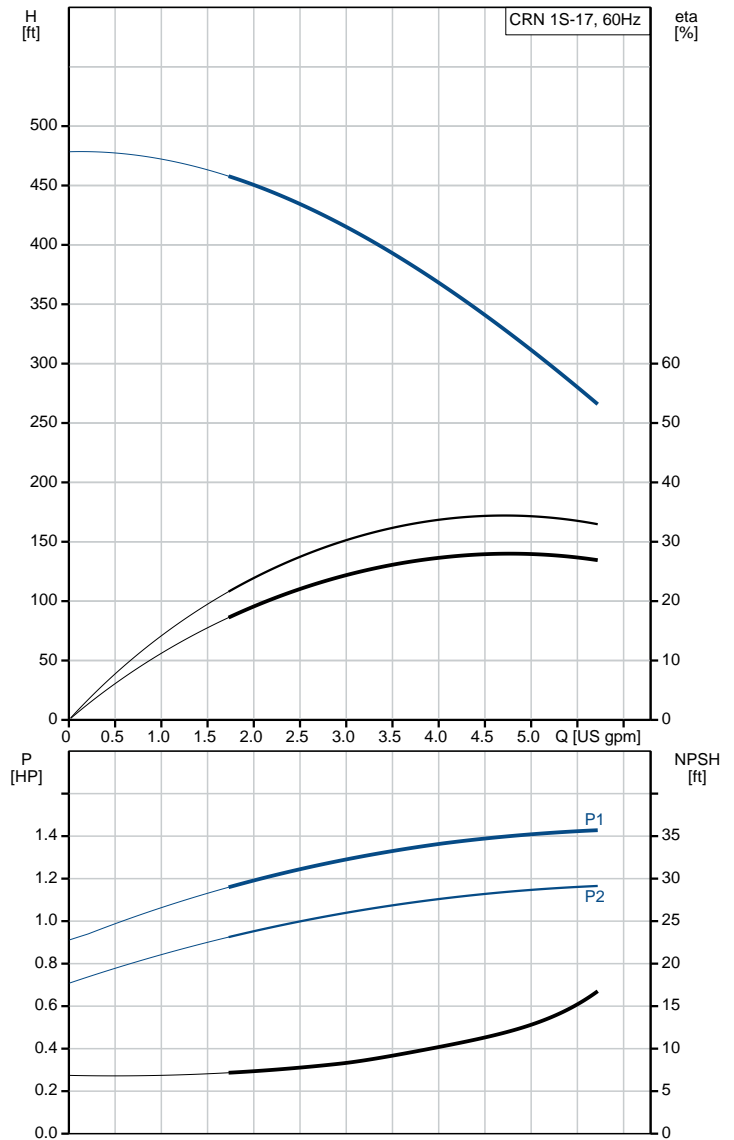
| Count | Description |
|-------|---|
| 1 | CRN 1S-17 A-FGJ-A-E-HQQE |
| |  |
| | Product No.: 96081807 |
| | Vertical, non-self-priming, multistage, in-line, centrifugal pump for installation in pipe systems and mounting on a foundation. |
| | The pump has the following characteristics: <ul style="list-style-type: none"> - Impellers, intermediate chambers and outer sleeve are made of - Pump head cover and base are made of - The shaft seal has assembly length according to EN 12756. - Power transmission is via cast iron split coupling flanges/couplings. |
| | The motor is a 3-phase AC motor. |
| | Controls: |
| | Frequency converter: NONE |
| | Liquid: |
| | Pumped liquid: Water Liquid temperature range: -4 .. 248 °F Liquid temperature during operation: 68 °F Density: 62.29 lb/ft ³ |
| | Technical: |
| | Rated pump speed: 3466 rpm Rated flow: 4.84 US gpm Rated head: 318.9 ft Pump orientation: Vertical Shaft seal arrangement: Single Code for shaft seal: HQQE Approvals on nameplate: CURUS,NSF61 Curve tolerance: ISO9906:2012 3B |
| | Materials: |
| | Base: Stainless steel EN 1.4408 AISI 316 Impeller: Stainless steel EN 1.4401 AISI 316 Bearing: SIC |
| | Installation: |
| | Maximum ambient temperature: 140 °F Maximum operating pressure: 363 psi Max pressure at stated temperature: 363 psi / 250 °F 363 psi / -4 °F Type of connection: DIN / ANSI / JIS Size of inlet connection: DN 25/32 Size of suction port: 1 1/4 inch Size of outlet connection: DN 25/32 Size of outlet port: 1 1/4 inch Pressure rating for pipe connection: PN 25 |

| Count | Description |
|-------|--|
| | Flange rating inlet: 300 lb Flange size for motor: 56C Electrical data: Motor standard: NEMA Motor type: 80CA IE Efficiency class: NEMA Premium / IE3 60Hz Rated power - P2: 1.5 HP Power (P2) required by pump: 1.5 HP Main frequency: 60 Hz Rated voltage: 3 x 208-230YY/460Y V Service factor: 1.15 Rated current: 4,45-4,3/2,16 A Starting current: 720 % Cos phi - power factor: 0.84-0.78 Rated speed: 3440-3480 rpm IE efficiency: IE3 84,1% Motor efficiency at full load: 84.9 % Motor efficiency at 3/4 load: 81.0 % Motor efficiency at 1/2 load: 78.5 % Number of poles: 2 Enclosure class (IEC 34-5): 55 Dust/Jetting Insulation class (IEC 85): F Others: Net weight: 64.3 lb Gross weight: 78.8 lb Shipping volume: 8.26 ft ³ Country of origin: US Custom tariff no.: 8413.70.2040 |

96081807 CRN 1S-17 A-FGJ-A-E-HQQE 60 Hz



| Description | Value |
|---------------------------------------|--------------------------|
| General information: | |
| Product name: | CRN 1S-17 A-FGJ-A-E-HQQE |
| Product No.: | 96081807 |
| EAN: | 5700395162615 |
| Technical: | |
| Rated pump speed: | 3466 rpm |
| Rated flow: | 4.84 US gpm |
| Rated head: | 318.9 ft |
| Head max: | 478.7 ft |
| Stages: | 17 |
| Impellers: | 17 |
| Number of reduced-diameter impellers: | 0 |
| Low NPSH: | No |
| Pump orientation: | Vertical |
| Shaft seal arrangement: | Single |
| Code for shaft seal: | HQQE |
| Approvals on nameplate: | CURUS,NSF61 |
| Curve tolerance: | ISO9906:2012 3B |
| Pump version: | A |
| Model: | A |
| Cooling: | TEFC |
| Materials: | |
| Base: | Stainless steel |
| | EN 1.4408 |
| | AISI 316 |
| Impeller: | Stainless steel |
| | EN 1.4401 |
| | AISI 316 |
| Material code: | A |
| Code for rubber: | E |
| Bearing: | SIC |
| Installation: | |
| Maximum ambient temperature: | 140 °F |
| Maximum operating pressure: | 363 psi |
| Max pressure at stated temperature: | 363 psi / 250 °F |
| | 363 psi / -4 °F |
| Type of connection: | DIN / ANSI / JIS |
| Size of inlet connection: | DN 25/32 |
| Size of suction port: | 1 1/4 inch |
| Size of outlet connection: | DN 25/32 |
| Size of outlet port: | 1 1/4 inch |
| Pressure rating for pipe connection: | PN 25 |
| Flange rating inlet: | 300 lb |
| Flange size for motor: | 56C |
| Connect code: | FGJ |
| Liquid: | |
| Pumped liquid: | Water |
| Liquid temperature range: | -4 .. 248 °F |
| Liquid temperature during operation: | 68 °F |
| Density: | 62.29 lb/ft³ |
| Electrical data: | |
| Motor standard: | NEMA |
| Motor type: | 80CA |
| IE Efficiency class: | NEMA Premium / IE3 60Hz |
| Rated power - P2: | 1.5 HP |
| Power (P2) required by pump: | 1.5 HP |
| Main frequency: | 60 Hz |
| Rated voltage: | 3 x 208-230YY/460Y V |
| Service factor: | 1.15 |
| Rated current: | 4,45-4,3/2,16 A |
| Starting current: | 720 % |
| Load current: | 5,1-4,95/2,48 A |
| Cos phi - power factor: | 0.84-0.78 |
| Rated speed: | 3440-3480 rpm |
| IE efficiency: | IE3 84,1% |
| Motor efficiency at full load: | 84.9 % |





Company name:

Created by:

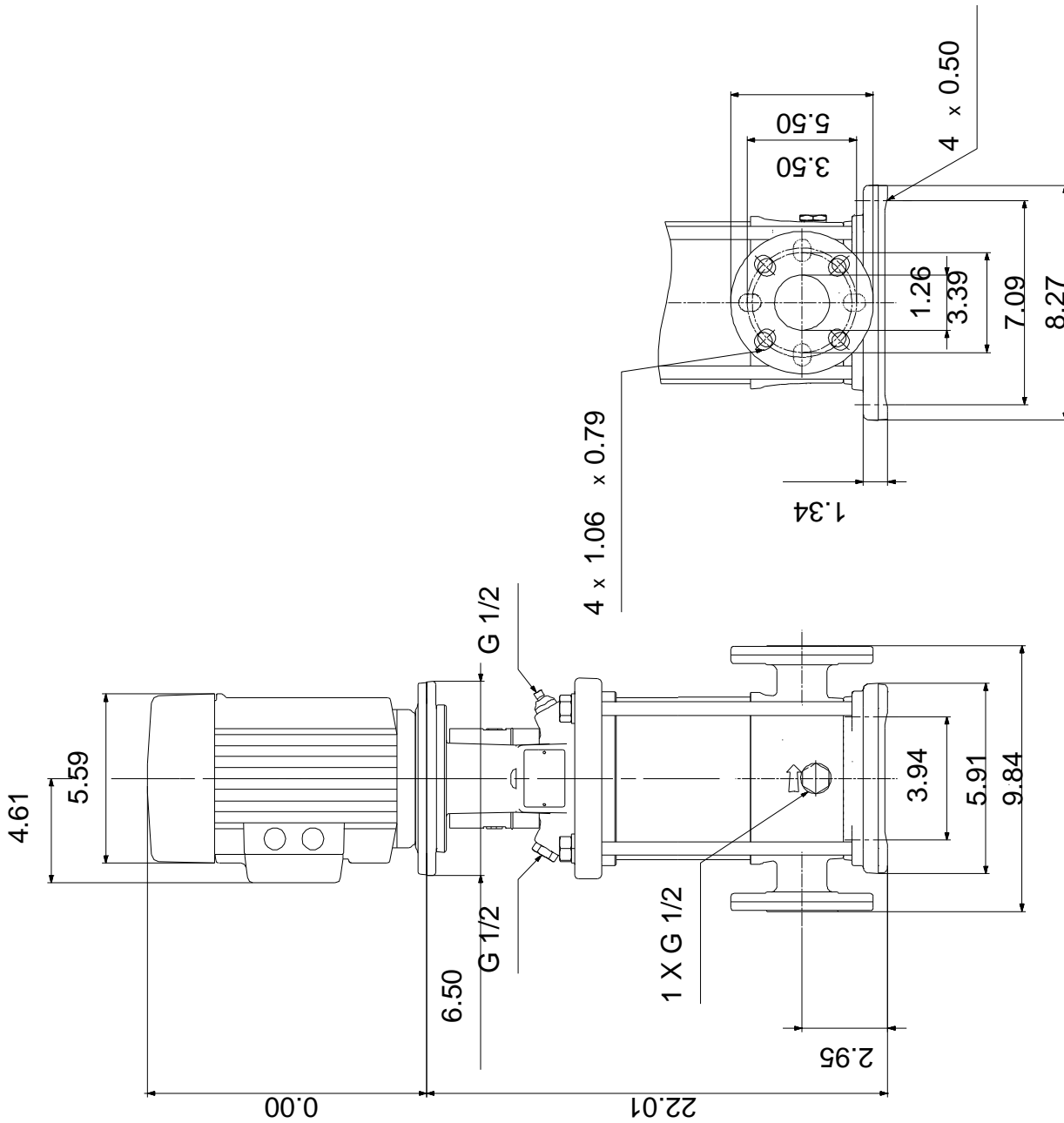
Phone:

Date:

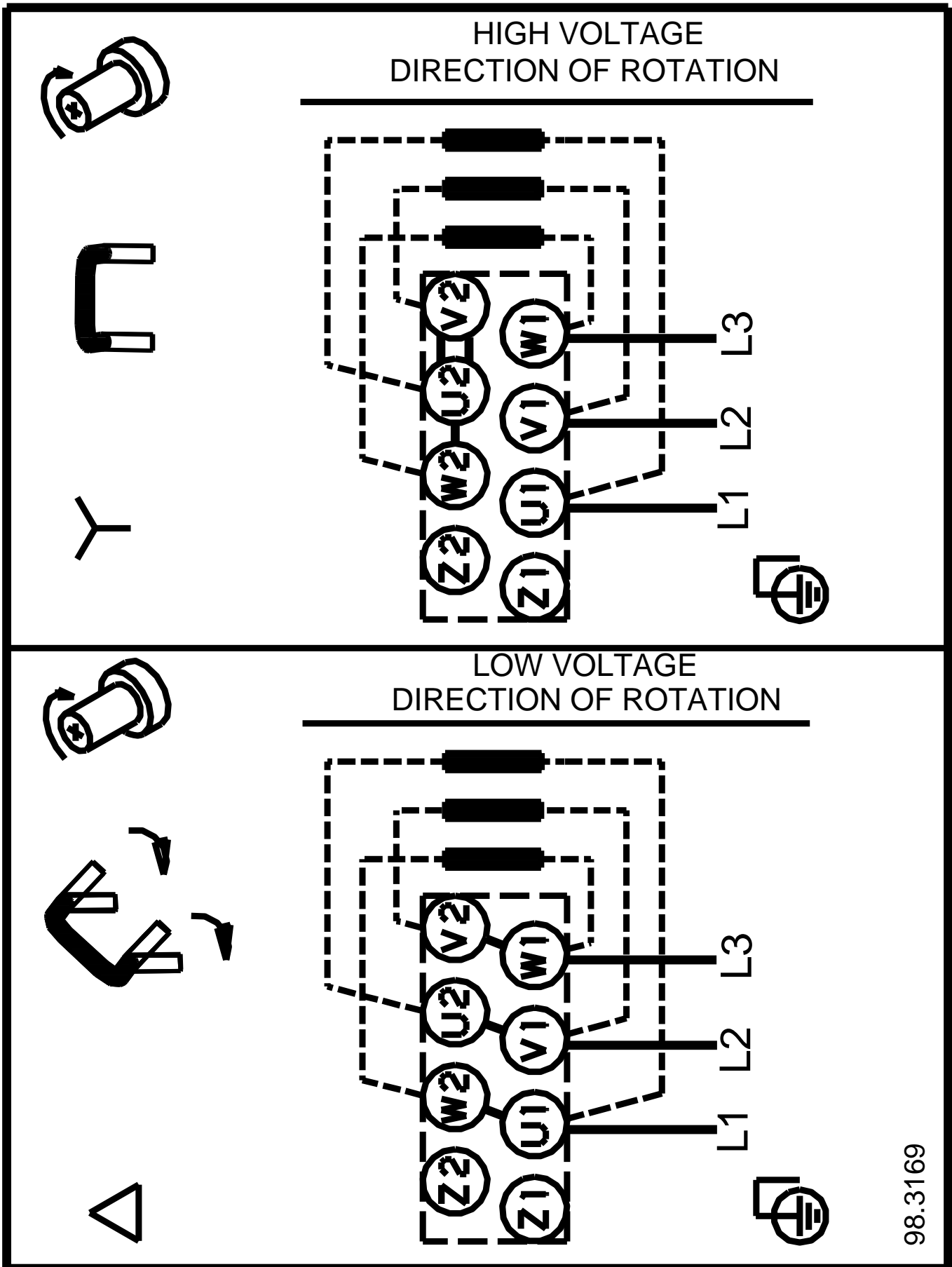
12/28/2018

| Description | Value |
|-------------------------------|----------------------|
| Motor efficiency at 3/4 load: | 81.0 % |
| Motor efficiency at 1/2 load: | 78.5 % |
| Number of poles: | 2 |
| Enclosure class (IEC 34-5): | 55 Dust/Jetting |
| Insulation class (IEC 85): | F |
| Motor protection: | NONE |
| Motor Number: | 98976607 |
| Controls: | |
| Frequency converter: | NONE |
| Others: | |
| Net weight: | 64.3 lb |
| Gross weight: | 78.8 lb |
| Shipping volume: | 8.26 ft ³ |
| Country of origin: | US |
| Custom tariff no.: | 8413.70.2040 |

96081807 CRN 1S-17 A-FGJ-A-E-HQQE 60 Hz



96081807 CRN 1S-17 A-FGJ-A-E-HQQE 60 Hz



98.3169