

PROJECT: _____	UNIT TAG: _____	QUANTITY: _____
REPRESENTATIVE: _____	TYPE OF SERVICE: _____	DATE: _____
ENGINEER: _____	SUBMITTED BY: _____	DATE: _____
CONTRACTOR: _____	APPROVED BY: _____	DATE: _____
	ORDER NO.: _____	DATE: _____

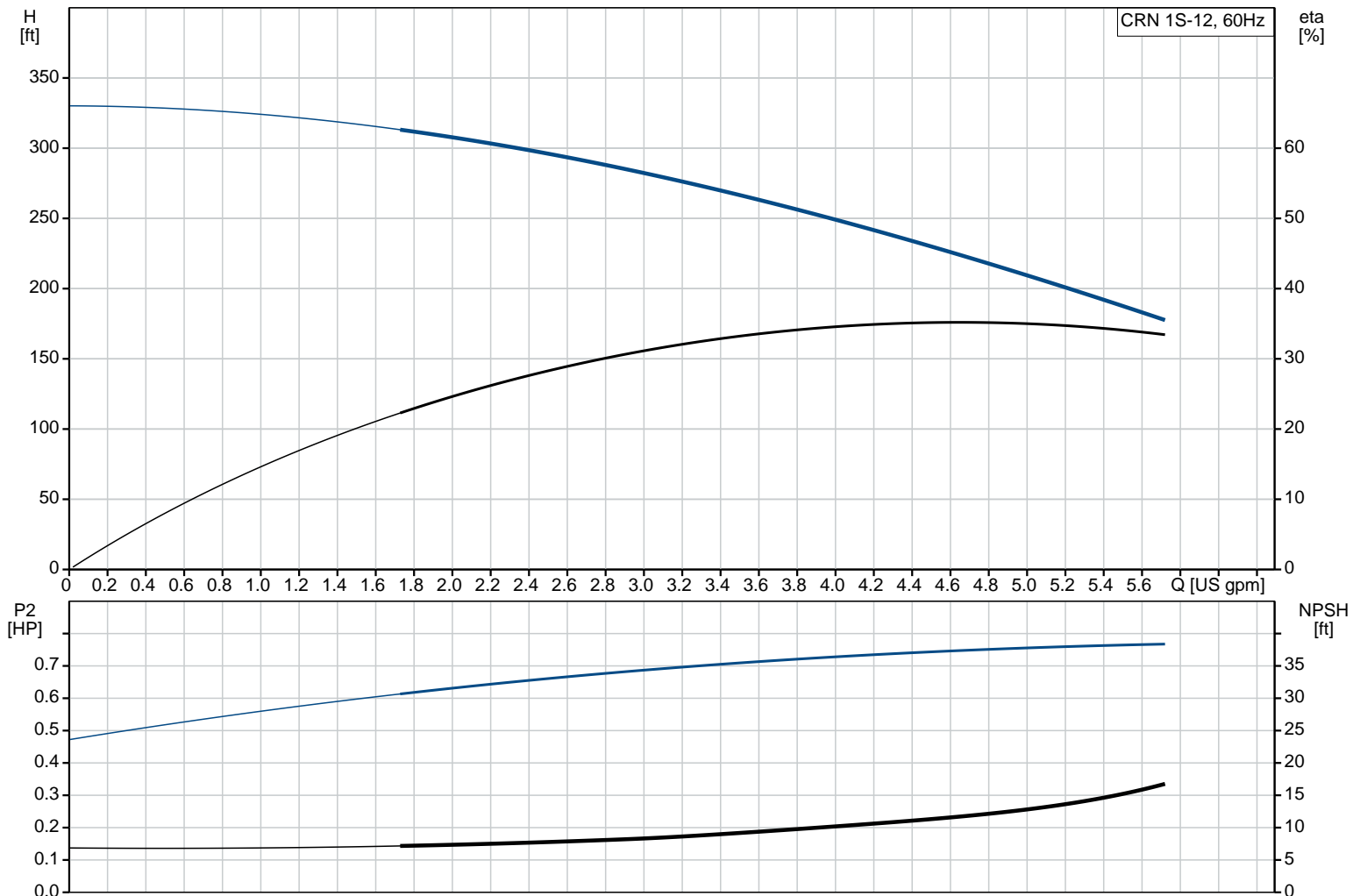


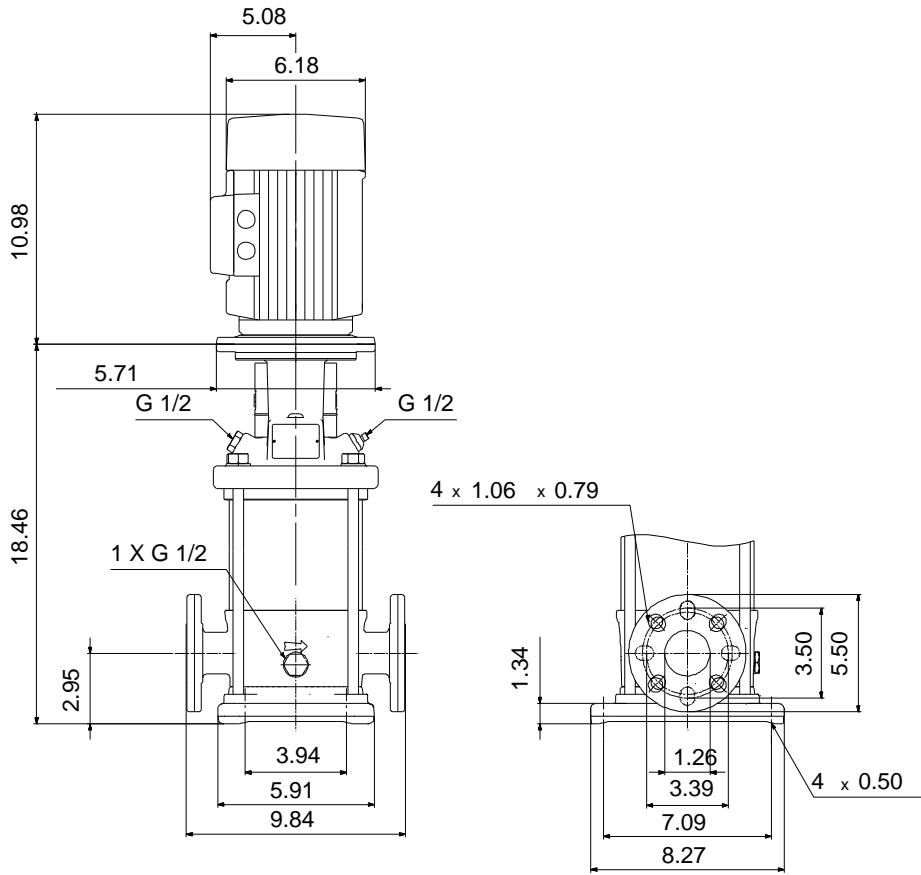
## CRN 1S-12 A-FGJ-A-V-HQQV

Vertical, multistage centrifugal pump with suction and discharge ports on same the level. Pump materials in contact with the liquid are in high-grade stainless steel (EN 1.4401) (AISI 316)

Product photo could vary from the actual product


Conditions of Service	Pump Data	Motor Data
Flow: _____	Max pressure at stated temperature: 363 psi / 194 °F	Rated power - P2: 0.75 HP
Head: _____	Liquid temperature range: -4 .. 194 °F	Rated voltage: 115/208-230 V
Efficiency: _____	Maximum ambient temperature: 104 °F	Main frequency: 60 Hz
Liquid: Water	Approvals: CURUS	Enclosure class: 54 Dust/Splashing
Temperature: 68 °F	Shaft seal: HQQV	Insulation class: B
NPSH required: ft	Product number: 96081895	Motor protection: NONE
Viscosity: _____		Motor type: Baldor
Specific Gravity: 1.000		





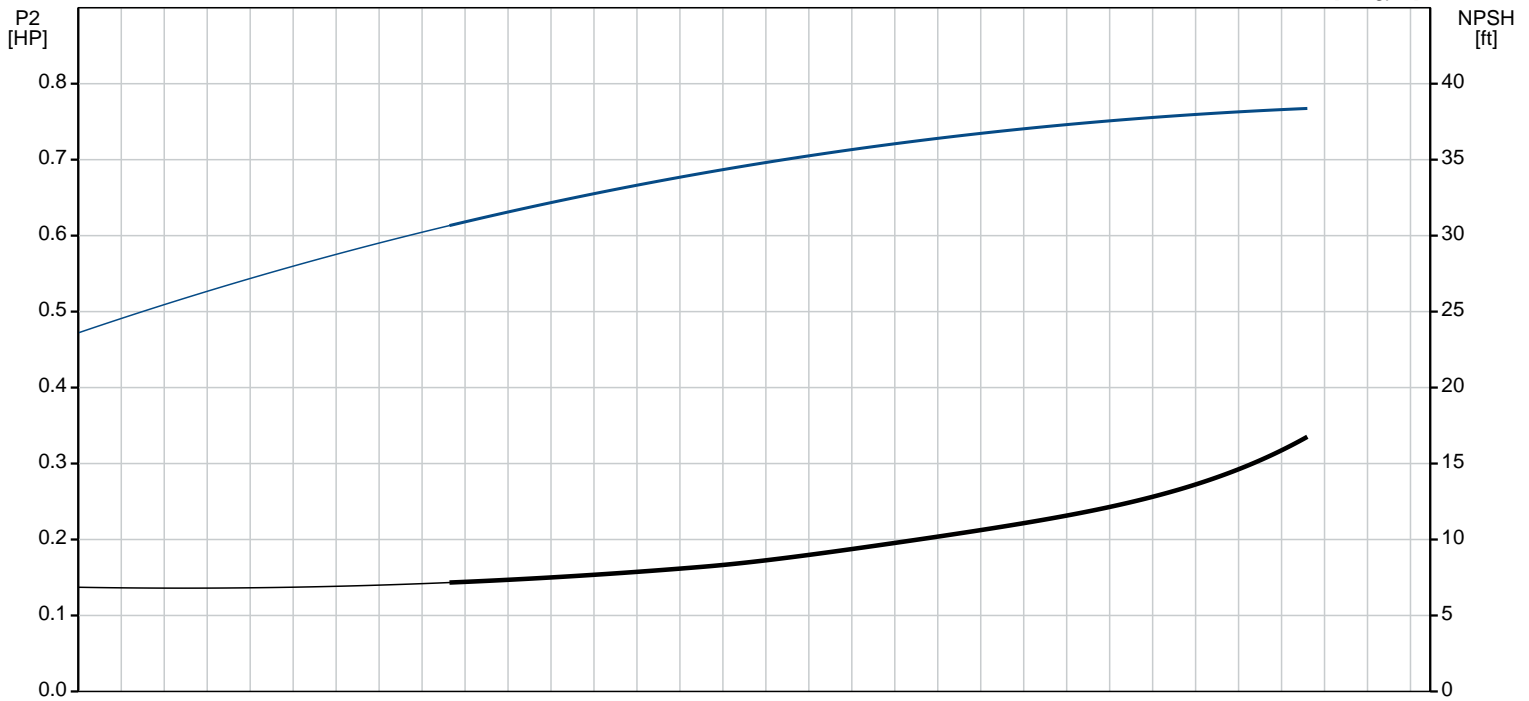
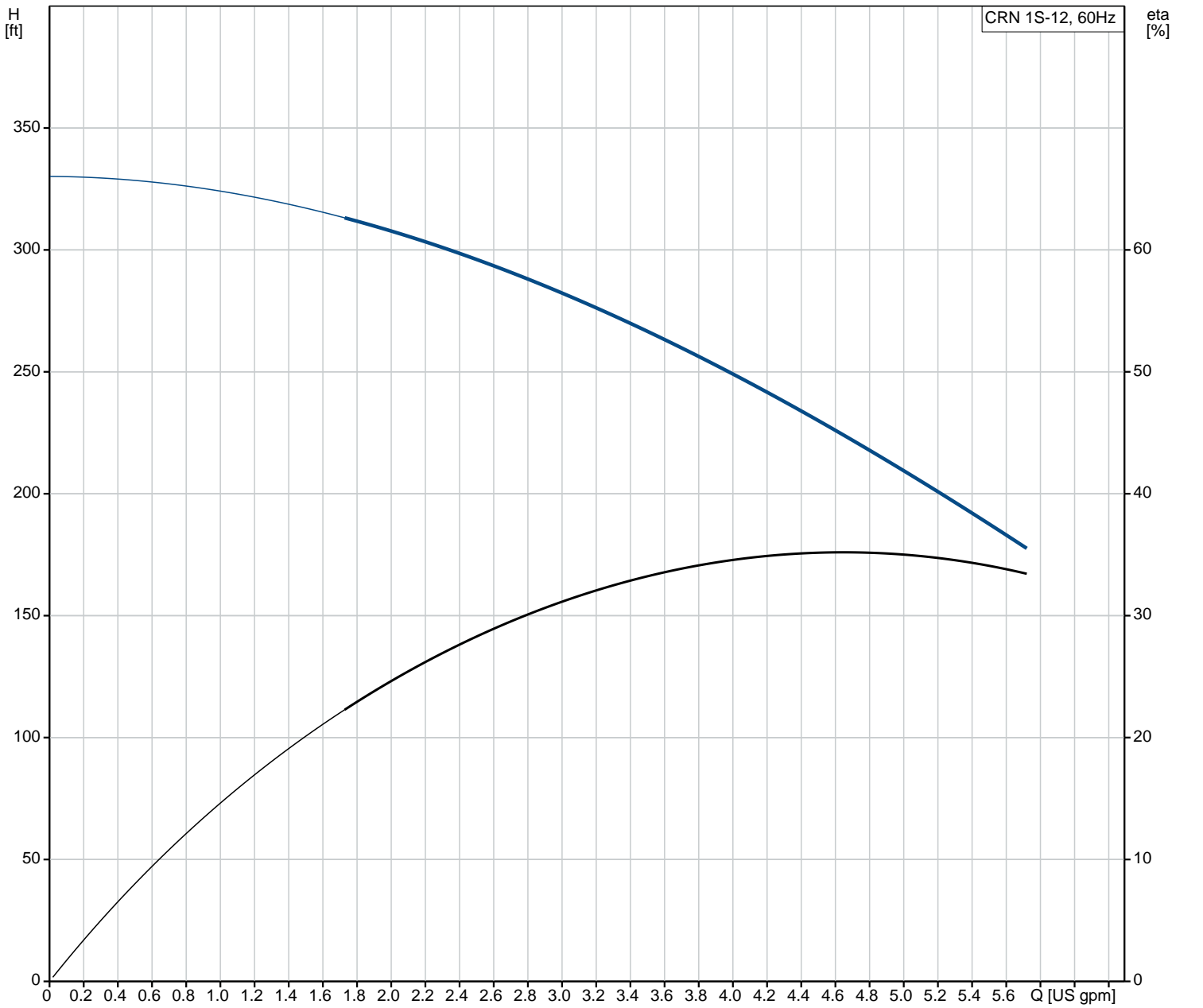
**Materials:**

- Base: Stainless steel  
EN 1.4408  
AISI 316
- Impeller: Stainless steel  
AISI 316  
EN 1.4401
- Material code: A
- Code for rubber: V

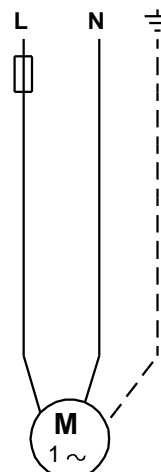
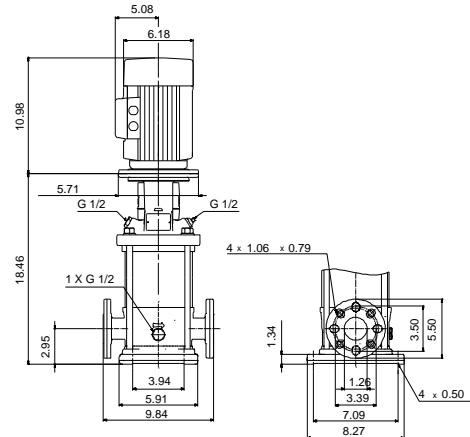
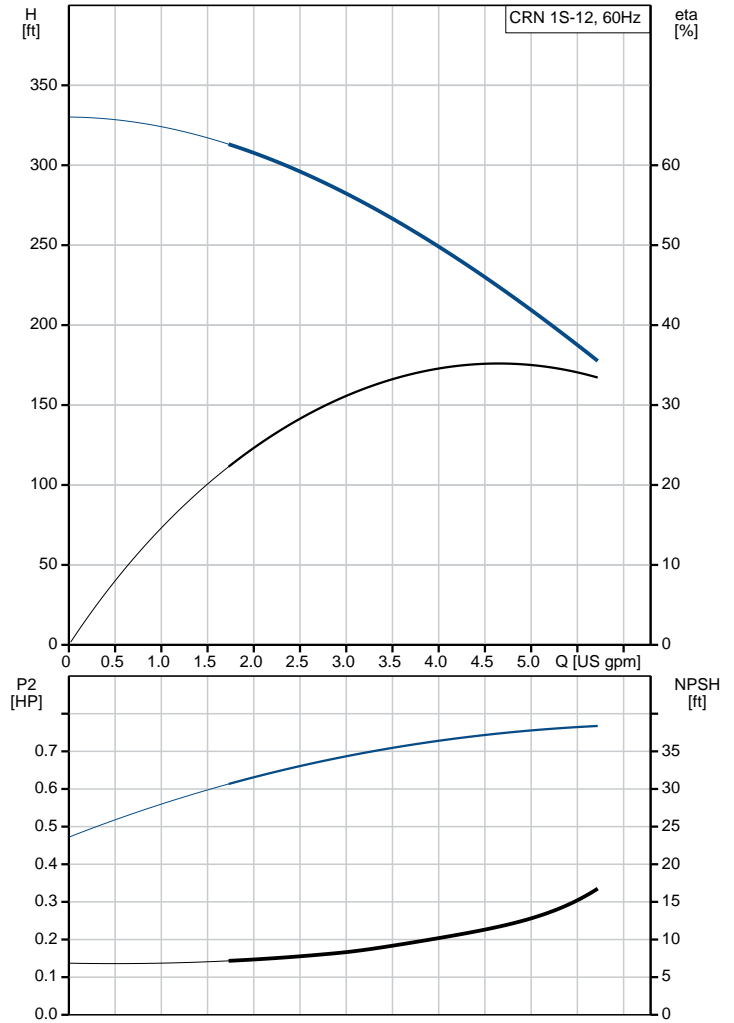
Count	Description
1	<p data-bbox="111 224 454 257"><b>CRN 1S-12 A-FGJ-A-V-HQQV</b></p>  <p data-bbox="111 548 375 571">Product No.: <a href="#">96081895</a></p> <p data-bbox="111 577 630 660">Vertical, non-self-priming, multistage, in-line, centrifugal pump for installation in pipe systems and mounting on a foundation.</p> <p data-bbox="111 694 662 963">The pump has the following characteristics:</p> <ul style="list-style-type: none"> <li>- Impellers, intermediate chambers and outer sleeve are made of</li> <li>- Pump head cover and base are made of</li> <li>- The shaft seal has assembly length according to EN 12756.</li> <li>- Power transmission is via cast iron split coupling flanges/couplings.</li> </ul> <p data-bbox="111 996 486 1019">The motor is a 1-phase AC motor.</p> <p data-bbox="111 1052 223 1075"><b>Controls:</b></p> <p data-bbox="111 1086 550 1108">Frequency converter: NONE</p> <p data-bbox="111 1142 199 1164"><b>Liquid:</b></p> <p data-bbox="111 1176 598 1288">Pumped liquid: Water Liquid temperature range: -4 .. 194 °F Liquid temperature during operation: 68 °F Density: 62.29 lb/ft³</p> <p data-bbox="111 1321 239 1344"><b>Technical:</b></p> <p data-bbox="111 1355 678 1579">Rated pump speed: 3464 rpm Rated flow: 4.84 US gpm Rated head: 215.9 ft Pump orientation: Vertical Shaft seal arrangement: Single Code for shaft seal: HQQV Approvals on nameplate: CURUS Curve tolerance: ISO9906:2012 3B</p> <p data-bbox="111 1612 231 1635"><b>Materials:</b></p> <p data-bbox="111 1646 638 1848">Base: Stainless steel EN 1.4408 AISI 316 Impeller: Stainless steel EN 1.4401 AISI 316 Bearing: SIC</p> <p data-bbox="111 1881 255 1904"><b>Installation:</b></p> <p data-bbox="111 1915 710 2206">Maximum ambient temperature: 104 °F Maximum operating pressure: 363 psi Max pressure at stated temperature: 363 psi / 194 °F 363 psi / -4 °F Type of connection: DIN / ANSI / JIS Size of inlet connection: DN 25/32 Size of suction port: 1 1/4 inch Size of outlet connection: DN 25/32 Size of outlet port: 1 1/4 inch Pressure rating for pipe connection: PN 25</p>

Count	Description
	Flange rating inlet: 300 lb Flange size for motor: 56C  <b>Electrical data:</b> Motor standard: NEMA Motor type: Baldor Rated power - P2: 0.75 HP Power (P2) required by pump: 0.75 HP Main frequency: 60 Hz Rated voltage: 1 x 115/208-230 V Service factor: 1.25 Rated current: 9,60/5,00-4,80 A Rated speed: 3450 rpm Number of poles: 2 Enclosure class (IEC 34-5): 54 Dust/Splashing Insulation class (IEC 85): B  <b>Others:</b> Net weight: 67.9 lb Gross weight: 82.4 lb Shipping volume: 8.26 ft <sup>3</sup> Country of origin: US Custom tariff no.: 8413.70.2040

## 96081895 CRN 1S-12 A-FGJ-A-V-HQQV 60 Hz



Description	Value
<b>General information:</b>	
Product name:	CRN 1S-12 A-FGJ-A-V-HQQV
Product No.:	96081895
EAN:	5700395163490
<b>Technical:</b>	
Rated pump speed:	3464 rpm
Rated flow:	4.84 US gpm
Rated head:	215.9 ft
Head max:	328.8 ft
Stages:	12
Impellers:	12
Number of reduced-diameter impellers:	0
Low NPSH:	No
Pump orientation:	Vertical
Shaft seal arrangement:	Single
Code for shaft seal:	HQQV
Approvals on nameplate:	CURUS
Curve tolerance:	ISO9906:2012 3B
Pump version:	A
Model:	A
Cooling:	TEFC
<b>Materials:</b>	
Base:	Stainless steel EN 1.4408 AISI 316
Impeller:	Stainless steel EN 1.4401 AISI 316
Material code:	A
Code for rubber:	V
Bearing:	SIC
<b>Installation:</b>	
Maximum ambient temperature:	104 °F
Maximum operating pressure:	363 psi
Max pressure at stated temperature:	363 psi / 194 °F 363 psi / -4 °F
Type of connection:	DIN / ANSI / JIS
Size of inlet connection:	DN 25/32
Size of suction port:	1 1/4 inch
Size of outlet connection:	DN 25/32
Size of outlet port:	1 1/4 inch
Pressure rating for pipe connection:	PN 25
Flange rating inlet:	300 lb
Flange size for motor:	56C
Connect code:	FGJ
<b>Liquid:</b>	
Pumped liquid:	Water
Liquid temperature range:	-4 .. 194 °F
Liquid temperature during operation:	68 °F
Density:	62.29 lb/ft³
<b>Electrical data:</b>	
Motor standard:	NEMA
Motor type:	Baldor
Rated power - P2:	0.75 HP
Power (P2) required by pump:	0.75 HP
Main frequency:	60 Hz
Rated voltage:	1 x 115/208-230 V
Service factor:	1.25
Rated current:	9,60/5,00-4,80 A
Load current:	11.4/6.0-5.7 A
Rated speed:	3450 rpm
Number of poles:	2
Enclosure class (IEC 34-5):	54 Dust/Splashing
Insulation class (IEC 85):	B
Motor protection:	NONE
Motor Number:	84Z04001





Company name:

Created by:

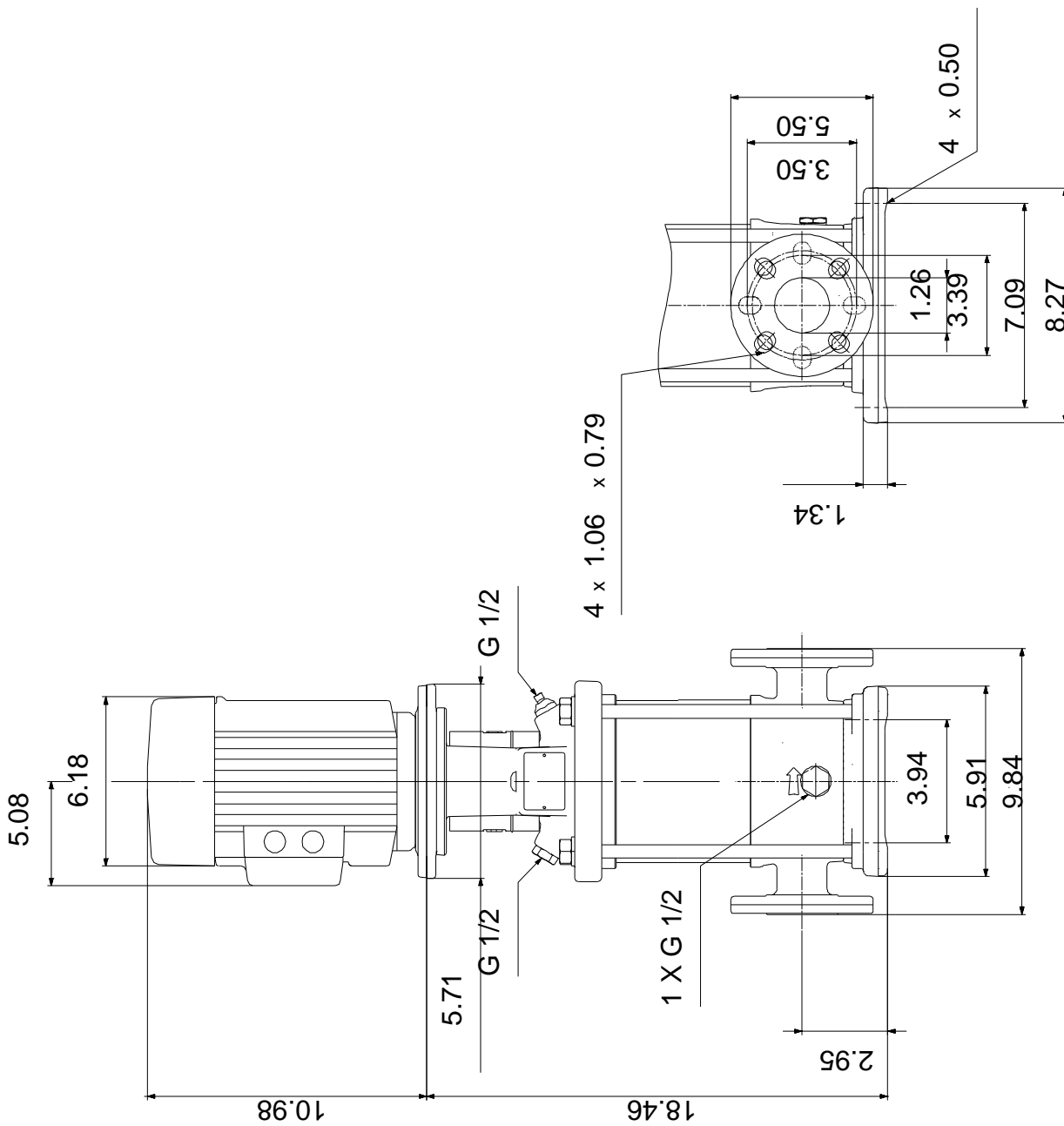
Phone:

Date:

12/14/2018

Description	Value
<b>Controls:</b>	
Frequency converter:	NONE
<b>Others:</b>	
Net weight:	67.9 lb
Gross weight:	82.4 lb
Shipping volume:	8.26 ft <sup>3</sup>
Country of origin:	US
Custom tariff no.:	8413.70.2040

## 96081895 CRN 1S-12 A-FGJ-A-V-HQQV 60 Hz





96081895 CRN 1S-12 A-FGJ-A-V-HQQV 60 Hz

