


Position	Count	Description																						
	1	<p data-bbox="343 340 454 369">DDE 6-10</p> <div data-bbox="402 443 651 730" style="text-align: center;">  </div> <p data-bbox="734 723 1189 748" style="text-align: center;">Product photo could vary from the actual product</p> <p data-bbox="343 757 726 813">Product No.: 97721109 DDE 6-10 P-PV/V/C-X-31U7U7BG</p> <p data-bbox="343 846 1404 969">The SMART Digital DDE is a compact positive displacement, diaphragm dosing pump with variable-speed drive (stepper motor) and intelligent control electronics with minimum energy consumption. The SMART Digital Dosing series operates at full stroke length to ensure optimum accuracy, priming and suction, even for degassing liquids. The duration of each discharge stroke varies according to the capacity set, resulting in optimum smooth and continuous discharge flow.</p> <p data-bbox="343 987 1380 1066">The click-stop mounting plate allows installation in three different positions without using any additional accessories. The dosing flow can be adjusted by means of an adjustment knob on a logarithmical scale from 0.1-100%.</p> <p data-bbox="343 1104 710 1133">The dosing head is composed of:</p> <ul data-bbox="383 1133 1173 1216" style="list-style-type: none"> - Long lifetime and universal chemical resistant Full-PTFE diaphragm. - Double ball valves for highest dosing accuracy. - Deaeration valve for easy start-up. <p data-bbox="343 1249 542 1279">Operation modes:</p> <ul data-bbox="383 1279 853 1335" style="list-style-type: none"> - Manual dosing from 0.1 to 100%. - Pulse control (divisor function included). <p data-bbox="343 1368 510 1397">Other features:</p> <ul data-bbox="383 1397 1141 1514" style="list-style-type: none"> - 100 % key (max. capacity), e.g. for deaeration. - Operation mode switch key between manual and pulse. - Status LEDs for pulse and manual. - Mechanical lock to protect the pump against unauthorised access. <p data-bbox="343 1547 590 1576">Signal- Inputs/outputs:</p> <ul data-bbox="383 1576 742 1635" style="list-style-type: none"> - Input for pulse, external stop. - Input for empty tank signal. <p data-bbox="343 1693 470 1722">Technical:</p> <table data-bbox="343 1722 1093 2022" style="width: 100%; border: none;"> <tr> <td>Type key:</td> <td>DDE 6-10 P-PV/V/C-X-31U7U7BG</td> </tr> <tr> <td>Max. Flow:</td> <td>1.585 US gal/hour</td> </tr> <tr> <td>Min flow:</td> <td>6.0 ml/h</td> </tr> <tr> <td>Turn-down ratio:</td> <td>1:1000</td> </tr> <tr> <td>Approvals on nameplate:</td> <td>CE, CSA-US, NSF61, RCM</td> </tr> <tr> <td>Valve type:</td> <td>Standard</td> </tr> <tr> <td>Maximum viscosity at 100 %:</td> <td>50 mPas</td> </tr> <tr> <td>Maximum viscosity in slow mode 50 %:</td> <td>N/A mPas</td> </tr> <tr> <td>Maximum viscosity in slow mode 25 %:</td> <td>N/A mPas</td> </tr> <tr> <td>Accuracy of repeatability:</td> <td>5 %</td> </tr> </table> <p data-bbox="343 2051 462 2080">Materials:</p> <table data-bbox="343 2080 1045 2107" style="width: 100%; border: none;"> <tr> <td>Dosing head:</td> <td>PVDF (Polyvinylidene fluoride)</td> </tr> </table>	Type key:	DDE 6-10 P-PV/V/C-X-31U7U7BG	Max. Flow:	1.585 US gal/hour	Min flow:	6.0 ml/h	Turn-down ratio:	1:1000	Approvals on nameplate:	CE, CSA-US, NSF61, RCM	Valve type:	Standard	Maximum viscosity at 100 %:	50 mPas	Maximum viscosity in slow mode 50 %:	N/A mPas	Maximum viscosity in slow mode 25 %:	N/A mPas	Accuracy of repeatability:	5 %	Dosing head:	PVDF (Polyvinylidene fluoride)
Type key:	DDE 6-10 P-PV/V/C-X-31U7U7BG																							
Max. Flow:	1.585 US gal/hour																							
Min flow:	6.0 ml/h																							
Turn-down ratio:	1:1000																							
Approvals on nameplate:	CE, CSA-US, NSF61, RCM																							
Valve type:	Standard																							
Maximum viscosity at 100 %:	50 mPas																							
Maximum viscosity in slow mode 50 %:	N/A mPas																							
Maximum viscosity in slow mode 25 %:	N/A mPas																							
Accuracy of repeatability:	5 %																							
Dosing head:	PVDF (Polyvinylidene fluoride)																							



Company name:

Created by:

Phone:

Date:

12/6/2018

Position	Count	Description
		Valve ball: Ceramic Gasket: FKM
		Installation: Range of ambient temperature: 32 .. 113 °F Maximum operating pressure: 145 psi Installation set: NO Installation type: No installation set Pump inlet: 0.17x 1/4, 1/4x3/8, 3/8x1/2" Pump outlet: 0.17x 1/4, 1/4x3/8, 3/8x1/2" Max. Suction lift during operation: 19.69 ft Max. Suction lift during priming: 6.562 ft
		Liquid: Pumped liquid: Water Liquid temperature range: 14 .. 113 °F Liquid temperature during operation: 68 °F Density: 62.29 lb/ft ³
		Electrical data: Maximum power input - P1: 19 W Main frequency: 60 Hz Rated voltage: 1 x 100-240 V Enclosure class (IEC 34-5): IP65 / NEMA 4X Length of cable: 4.922 ft Type of cable plug: USA, Canada Inrush current: 25A at 230V for 2ms
		Controls: Control variant: P Level control: YES Pulse control: YES Ext. Stop input: YES Output relays: YES
		Others: Net weight: 4.41 lb Gross weight: 6.62 lb Custom tariff no.: 8413.50.0050



Company name:

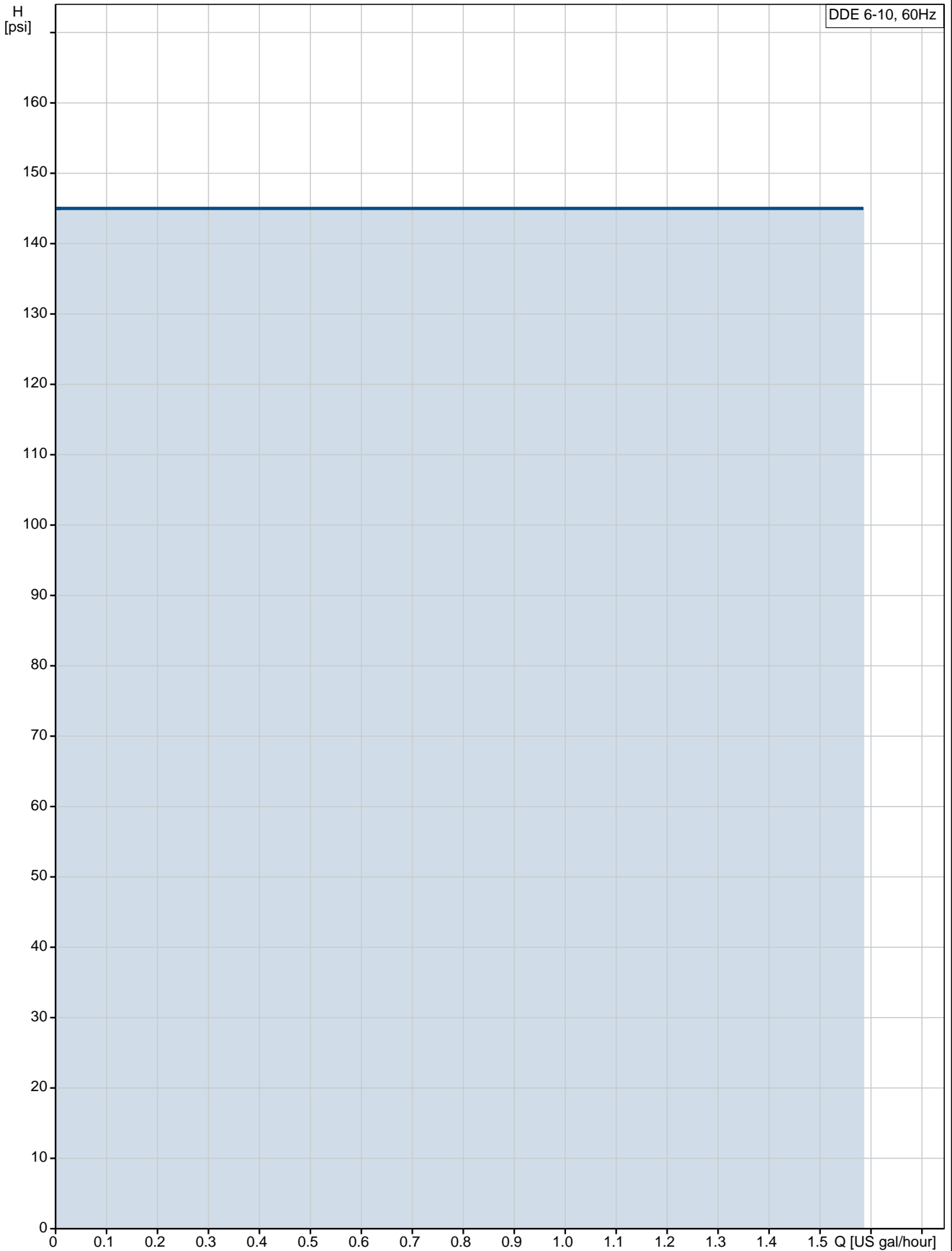
Created by:

Phone:

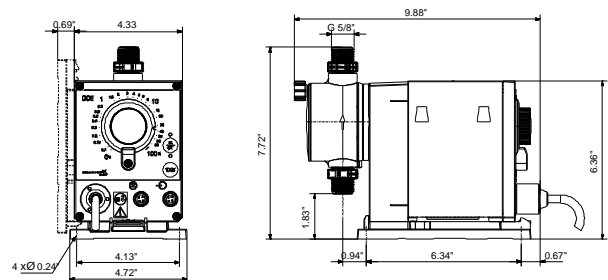
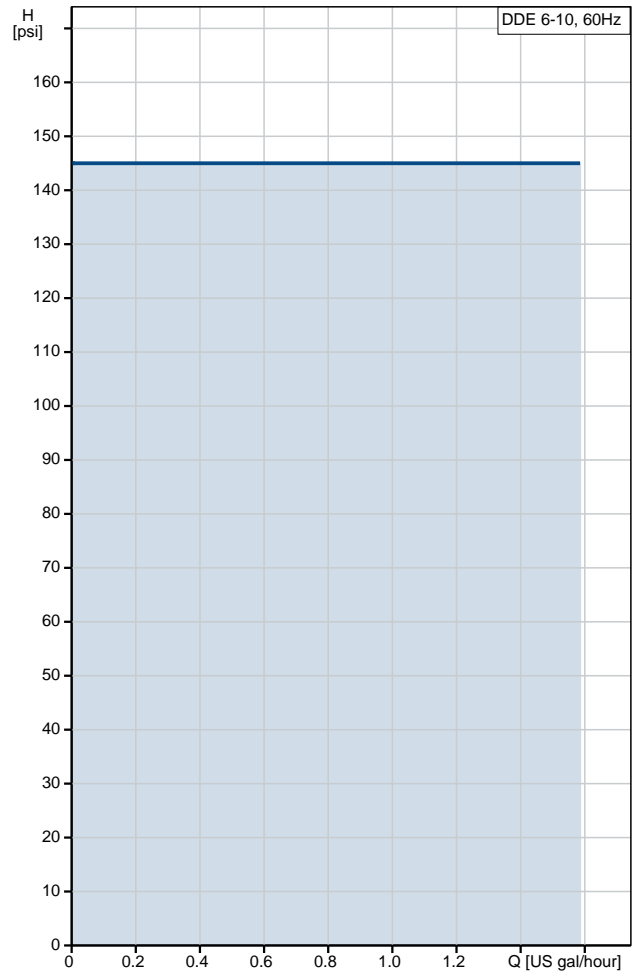
Date:

12/6/2018

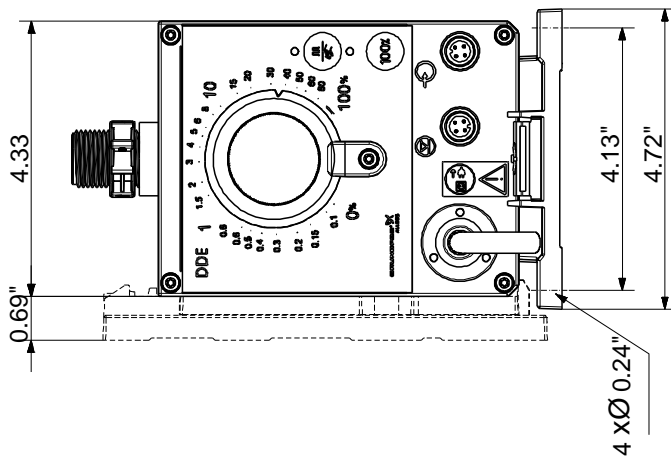
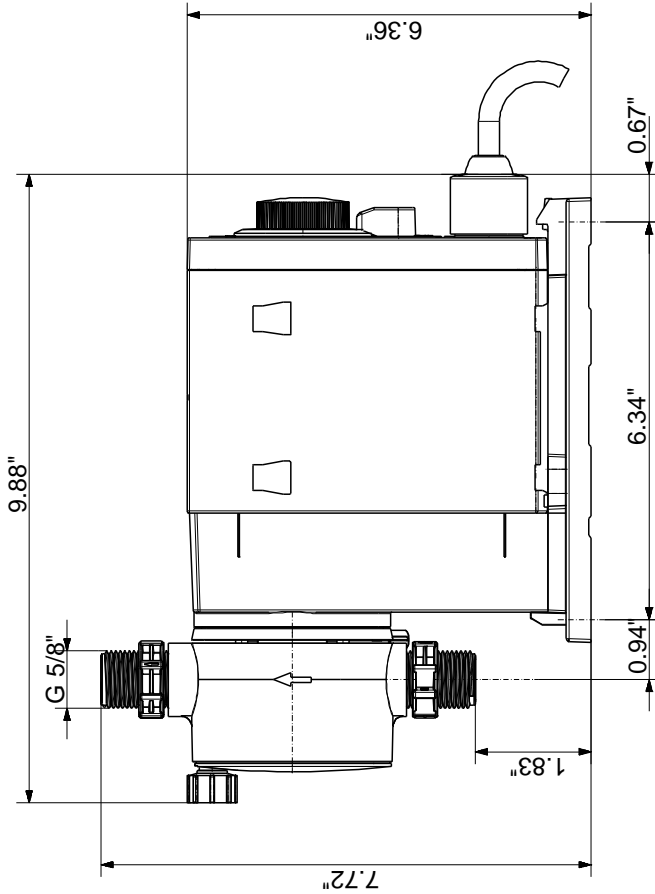
97721109 DDE 6-10 60 Hz



Description	Value
General information:	
Product name:	DDE 6-10
Product No.:	97721109
EAN:	5710622712490
Technical:	
Type key:	DDE 6-10 P-PV/C-X-31U7U7BG
Max. Flow:	1.585 US gal/hour
Min flow:	6.0 ml/h
Turn-down ratio:	1:1000
Approvals on nameplate:	CE,CSA-US,NSF61,RCM
Valve type:	Standard
Maximum viscosity at 100 %:	50 mPas
Maximum viscosity in slow mode 50 %:	N/A mPas
Maximum viscosity in slow mode 25 %:	N/A mPas
Accuracy of repeatability:	5 %
Materials:	
Dosing head:	PVDF (Polyvinylidene fluoride)
Valve ball:	Ceramic
Gasket:	FKM
Installation:	
Range of ambient temperature:	32 .. 113 °F
Maximum operating pressure:	145 psi
Installation set:	NO
Installation type:	No installation set
Pump inlet:	0.17x 1/4, 1/4x3/8, 3/8x1/2"
Pump outlet:	0.17x 1/4, 1/4x3/8, 3/8x1/2"
Max. Suction lift during operation:	19.69 ft
Max. Suction lift during priming:	6.562 ft
Liquid:	
Pumped liquid:	Water
Liquid temperature range:	14 .. 113 °F
Liquid temperature during operation:	68 °F
Density:	62.29 lb/ft ³
Electrical data:	
Maximum power input - P1:	19 W
Main frequency:	60 Hz
Rated voltage:	1 x 100-240 V
Enclosure class (IEC 34-5):	IP65 / NEMA 4X
Length of cable:	4.922 ft
Type of cable plug:	USA, Canada
Inrush current:	25A at 230V for 2ms
Controls:	
Control variant:	P
Level control:	YES
Pulse control:	YES
Ext. Stop input:	YES
Output relays:	YES
Others:	
Net weight:	4.41 lb
Gross weight:	6.62 lb
Custom tariff no.:	8413.50.0050



97721109 DDE 6-10 60 Hz



Note! All units are in [mm] unless otherwise stated.
Disclaimer: This simplified dimensional drawing does not show all details.