

Customer	Date	12/7/2018
Contact	Project	
Phone number	Project no.	
Email		

1ST1F0C4

Operating data

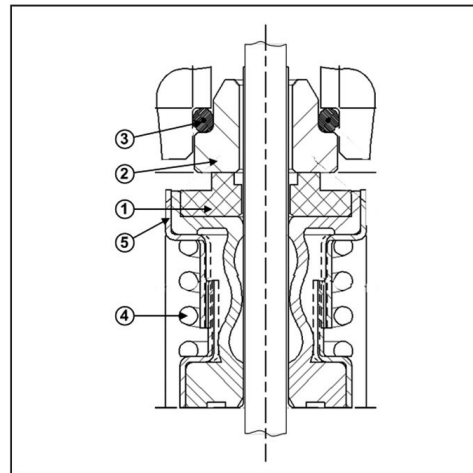
Pump type	End Suction Pumps	Fluid	Water
No. of pumps / Reserve	1 / 0	Operating temperature t A	°F 39.2
Nominal flow	US g.p.m. 0	pH-value at t A	7
Nominal head	ft 0	Density at t A	lb/ft ³ 62.4
Static head	ft 0	Kin. viscosity at t A	ft ² /s 1.69E-5
Inlet pressure	psi 0	Vapor pressure at t A	psi 14.5
Environmental temperature	°F 68	Solids	0
Available system NPSH	ft 0	Altitude	ft 0

Pump data

Make	Goulds Water Technology	Nominal	US g.p.m. ()
Speed	rpm 3500	Flow	Max- US g.p.m. 45.6
Number of stages	1		Min- US g.p.m.
Max. casing pressure	psi	Nominal	ft
Max. working pressure	psi 49.3	Head	at Qmax ft 62.7
Head H(Q=0)	ft 110		at Qmin ft 113.7
Weight	lb On demand	Shaft power	hp ()
	Max. inch 6 1/8	Max. shaft power	hp 1.5
Impeller R	designed inch 5 3/16	Efficiency	%
	Min. inch 4 1/16	NPSH 3%	ft

Shaft Seal

Type 21 NPE	John Crane
NPE Mechanical Seal	
1 - Rotating Face	Carbon
2 - Stationary Face	Silicon Carbide
3 - Elastomers	Viton
4 - Metal Components	AlSI 316 SS



Motor data

Manufacturer	Bluffton	Electric voltage	230 V	Speed	3500 rpm	Insulation class	B
Specific design	1ph XP			Frame size	56J	Colour	RAL 5010
Type	BBC07825	Electric current	7.5 A				
Rated power	1.5 hp	Degree of protection	IP 55				

Remarks:

Customer	Date	12/7/2018
Contact	Project	
Phone number	Project no.	
Email		

1ST1F0C4

Pump Materials

100-Casing	AISI 316L SS
101-Impeller	AISI 316L SS
108-Motor adapter	AISI 316L SS
108A-Motor adapter seal vent/flush	AISI 316L SS
123-Deflector	BUNA-N
184-Seal housing	AISI 316L SS
184 A-Seal housing seal vent/flush	AISI 316L SS
347-Guidevane	AISI 316L SS
349-Seal ring, guidevane	Viton
370-Socket head screws, casing	AISI 410 SS
371-Bolts, motor	Plated Steel
408-Drain and vent plug, casing	AISI 316L SS
412B-O-ring, drain and vent plug	Viton
513-O-ring, casing	Viton
Motor-NEMA standard, 56J flange	-

Remarks:

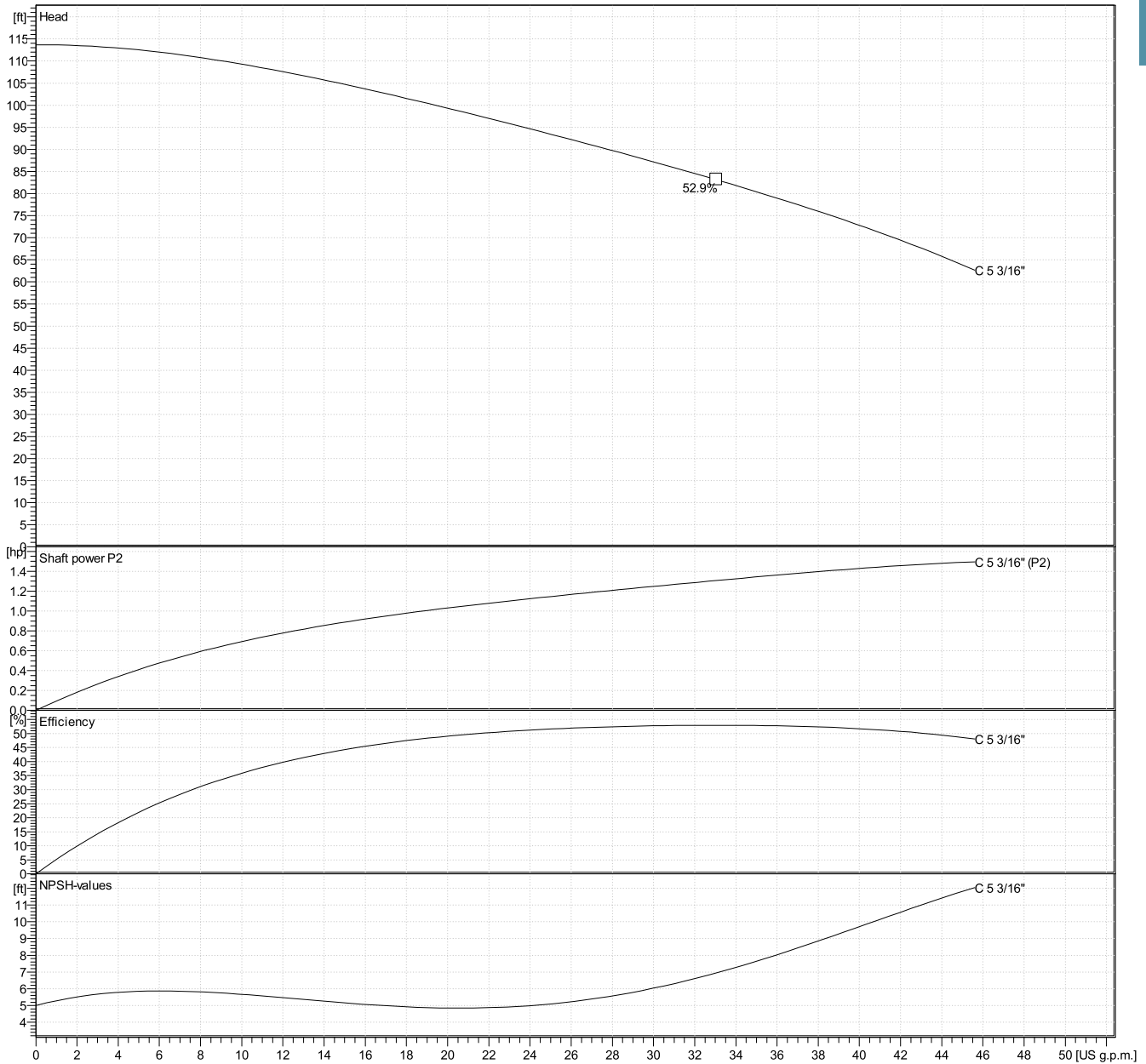
Customer	Date	12/7/2018
Contact	Project	
Phone number	Project no.	
Email		

1ST1F0C4

Hydraulic Data

Operating Data Specification	Hydraulic data (duty point)	Impeller design
Flow 0 US g.p.m.	Flow	Impeller R 5 ³ / ₁₆ "
Head 0 ft	Head	Frequency 60 Hz
Static head 0 ft		Speed 3500 rpm

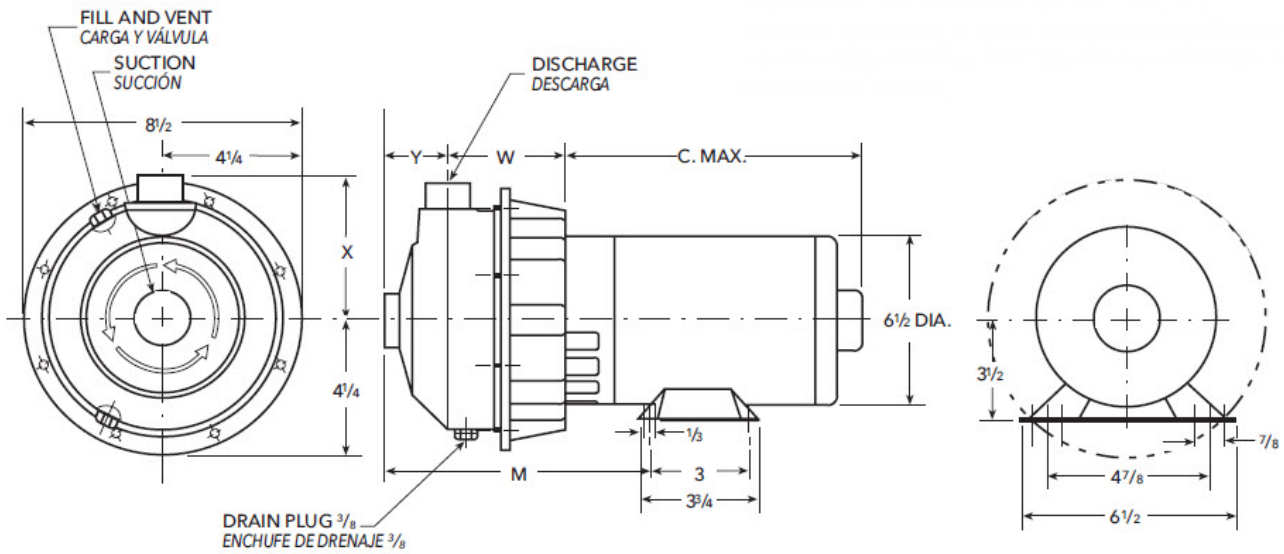
Power data referred to:
 Water [100%] ; 39.2°F; 62.4lb/ft³; 1.69E-5ft²/s
 Performance according to ISO 9906 - Annex A



Customer	Date	12/7/2018
Contact	Project	
Phone number	Project no.	
Email		

1ST1F0C4

Drawing



Dimensions inch

C. Max	$11\frac{15}{16}$					Weight On demand
Discharge	1					
M	$7\frac{5}{16}$					
Suction	$1\frac{1}{4}$					
W	$3\frac{5}{16}$					
X	$4\frac{3}{8}$					
Y	2					