

01SH08D7HT3E2

Technical Data	Company Contact Tel. E-mail
-----------------------	--

Operating Data				
1	Pump type	Single head pump	Fluid	Water
2	No. of pumps	1	Operating temperature t A	°F 39.2
3	Nominal flow	US g.p.m. 0	pH-value at t A	7
4	Nominal head	ft 0	Density at t A	lb/ft ³ 62.4
5	Static head	ft 0	Kin. viscosity at t A	ft ² /s 1.689E-5
6	Inlet pressure	psi 0	Vapor pressure at t A	psi 14.5
7	Environmental temperature	°F 68	Content of solid%	Solid size inch 0 0
8	Available system NPSH	ft 0	Altitude	ft 0

Pump Data				
9	Design	Highly efficient stainless steel end suction pumps		
10	Execution	Rotation: 12 oClock [STD]		
11	Operating speed	rpm 3500	Impeller Ø	Max. inch 8 3/16
12	Group	S		Designed inch 7
13	Suction	NPS 2 / CL150 / ASME B16.5 (e-SH)		Min. inch 6 1/4
14	Discharge port	NPS 1 / CL150 / ASME B16.5 (e-SH)	Flow	Nominal US g.p.m.
15	Max. casing pressure	psi		Max- US g.p.m. 137
16	Max. working pressure	psi 77.8		Min- US g.p.m. 40
17	Impeller type	Radial impeller	Head	Nominal ft
18	Head H(Q=0)	ft 180		at Qmax ft 88.1
19	Max. shaft power	hp 6.7	Shaft power	at Qmin ft 169.4
20	Pump weight	lb 64.0	Efficiency	%
21	Total weight	lb On demand	NPSH 3%	ft

Materials				
22		Pump		Shaft Seal
23	Casing	Stainless steel 316L	John Crane	Elastomer Bellows Shaft Seal
24	Impeller	Stainless steel 316L	Type 21	
25	Wear Ring	Stainless steel 316L	Seal faces	Carbon [STD]
26	Adapter	Gray cast iron class 20B	Stationary ring	Silicon Carbide
27	Ball bearing (outboard)	Steel	Elastomers	FKM
28	Pump shaft	Steel grade 1213	Springs	Stainless steel 316
29	Deflector	Buna-N	Other metal parts	Stainless steel 316
30	Shaft sleeve	Stainless steel 316		
31	Bearing Cover	Gray cast iron class 20B		
32	Ball bearing (inboard)	Steel		
33	Impeller Key	Steel		
34	Seal Housing	Stainless steel 316L		
35	Impeller Washer	Stainless steel CF8M		
36	Bearing Frame	Gray cast iron class 20B		
37	Lip Seal	Not available		
38	V-Ring	Buna-N		
39	Casing bolt with nut (casing to adapter)	Stainless Steel		
40	Retaining ring	Steel		
41				

Motor Data				
42	Manufacturer	Baldor		
43	Specific design	NEMA 3 ph TEPE [STD]		
44	Type	Frame 215JM - 7.5 hp		
45	Rated power	7.5 hp	Item no.	
46	Nominal speed	3600 rpm	Service factor	1.15
47	Frame size	215JM	Electric voltage	460 V
48	Weight	lb 121.0		

Base Plate		Remarks
49	Name	
50	Weight	lb

Project	Project ID	Created by	Created on	Last update
			08-05-19	

01SH08D7HT3E2

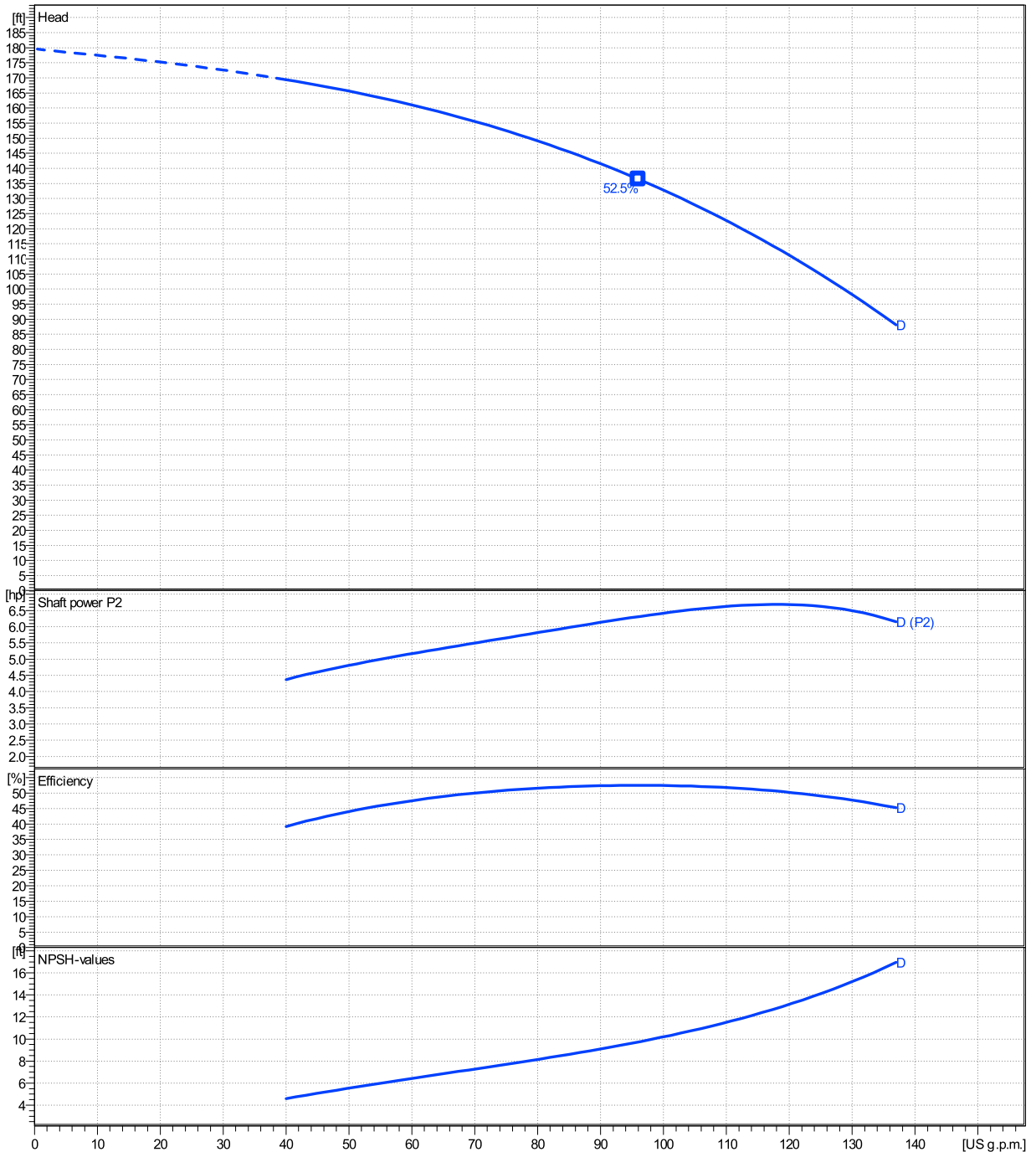
Performance Curve

Company
Contact
Tel.
E-mail

	Ø inch	Delivered Flow Application Range			Lift Capability		Shaft Power P2			Frequency		Hz	60
		Min. US g.p.m.	Max. US g.p.m.	η Max. US g.p.m.	H(Q=0) ft	η Max. ft	P2(Q=0) hp	Max. hp	η Max. hp	Operating speed rpm	Nominal flow US g.p.m.		
Is	7.000	40	137	96	179	136		6.69	6.31	Nominal head	ft	0	
Min.	6.250	/	/	74	128	100		/	3.94	Inlet pressure	psi	0	
Max.	8.187	/	/	133	268	210		/	10.3	Static head	ft	0	

Power data referred to:

Water [100%] ; 39.2°F; 62.4lb/ft³; 1.69E-5ft²/s



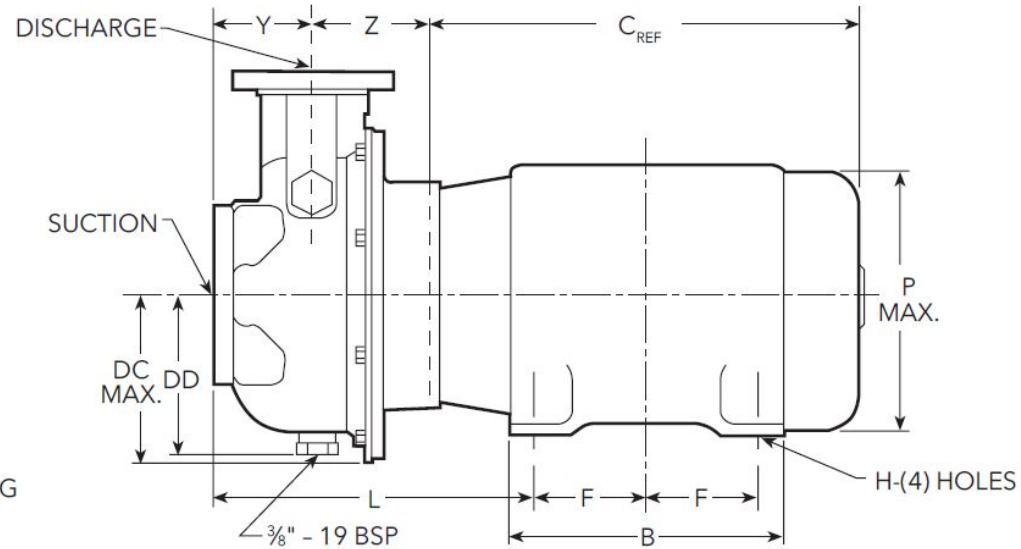
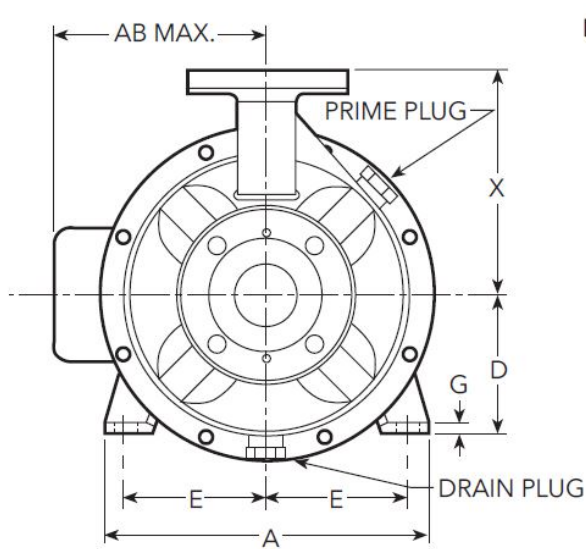
Project	Project ID	Created by	Created on 08-05-19	Last update
---------	------------	------------	------------------------	-------------

01SH08D7HT3E2

Dimensions

Company
Contact
Tel.
E-mail

Close coupled
Rotation: 12 oClock [STD]
NEMA 3 ph TEPE [STD]Frame 215JM - 7.5 hp



Dimensions		[inch]	
A	9 ¹ / ₂		
ABmax	8 ³ / ₈		
B	8		
Cref	18 ¹ / ₄		
D	5 ¹ / ₄		
DCmax	5 ⁵ / ₈		
DD	5 ³ / ₈		
E	4 ¹ / ₄		
F	3 ¹ / ₂		
G	5 ⁵ / ₈		
H	7 ⁷ / ₁₆		
L	10 ¹ / ₂		
Pmax	10 ⁵ / ₁₆		
X	7 ¹ / ₈		
Y	3 ¹ / ₈		
Z	3 ⁷ / ₈		

Connections	
Suction	Discharge port
NPS 2	NPS 1
CL150	CL150
ASME B16.5 (e-SH)	ASME B16.5 (e-SH)
Weight (+/- 5%)	
Pump	64 lb
Base Plate	
Motor	121 lb
Total weight	On demand lb

Note: Drawing not to be used for construction purposes. Weights subject to change.

Project	Project ID	Created by	Created on 08-05-19	Last update
---------	------------	------------	------------------------	-------------