

25SH06B25T3F2

Technical Data

Company
Contact
Tel.
E-mail

Operating Data

1	Pump type	Single head pump	Fluid	Water
2	No. of pumps	1	Operating temperature t A	°F 39.2
3	Nominal flow	US g.p.m. 0	pH-value at t A	7
4	Nominal head	ft 0	Density at t A	lb/ft ³ 62.4
5	Static head	ft 0	Kin. viscosity at t A	ft ² /s 1.689E-5
6	Inlet pressure	psi 0	Vapor pressure at t A	psi 14.5
7	Environmental temperature	°F 68	Content of solid%	Solid size inch 0 0
8	Available system NPSH	ft 0	Altitude	ft 0

Pump Data

9	Design	Highly efficient stainless steel end suction pumps		
10	Execution	Rotation: 12 oClock [STD]		
11	Operating speed	rpm 3500	Impeller Ø	Max. inch 7 1/8
12	Group	S		Designed inch 6 13/16
13	Suction	NPS 3 / CL150 / ASME B16.5 (e-SH)		Min. inch 5 1/2
14	Discharge port	NPS 2.5 / CL150 / ASME B16.5 (e-SH)	Flow	Nominal US g.p.m.
15	Max. casing pressure	psi		Max- US g.p.m. 500
16	Max. working pressure	psi 80.6	Min- US g.p.m. 150	
17	Impeller type	Radial impeller	Head	Nominal ft
18	Head H(Q=0)	ft 190		at Qmax ft 127.1
19	Max. shaft power	hp 22.5		at Qmin ft 185.5
20	Pump weight	lb 59.0	Shaft power	hp
21	Total weight	lb On demand	Efficiency	%
			NPSH 3%	ft

Materials

Pump		Shaft Seal	
23	Casing	Stainless steel 316L	John Crane Elastomer Bellows Shaft Seal
24	Impeller	Stainless steel CF8M	Type 21
25	Wear Ring	Stainless steel 316L	Seal faces Carbon [STD]
26	Adapter	Gray cast iron class 20B	Stationary ring Silicon Carbide
27	Ball bearing (outboard)	Steel	Elastomers FKM
28	Pump shaft	Steel grade 1213	Springs Stainless steel 316
29	Deflector	Buna-N	Other metal parts Stainless steel 316
30	Shaft sleeve	Stainless steel 316	
31	Bearing Cover	Gray cast iron class 20B	
32	Ball bearing (inboard)	Steel	
33	Impeller Key	Steel	
34	Seal Housing	Stainless steel 316L	
35	Impeller Washer	Stainless steel CF8M	
36	Bearing Frame	Gray cast iron class 20B	
37	Lip Seal	Not available	
38	V-Ring	Buna-N	
39	Casing bolt with nut (casing to adapter)	Stainless Steel	
40	Retaining ring	Steel	
41			

Motor Data

42	Manufacturer	Baldor	
43	Specific design	NEMA 3 ph TEPE [STD]	
44	Type	Frame 256TCZ - 25 hp	
45	Rated power	25 hp	Item no.
46	Nominal speed	3600 rpm	Service factor 1.15
47	Frame size	256TCZ	Electric voltage 460 V
48	Weight	lb 298.0	

Base Plate

49	Name	Remarks	
50	Weight	lb	

Project	Project ID	Created by	Created on 08-05-19	Last update
---------	------------	------------	------------------------	-------------

25SH06B25T3F2

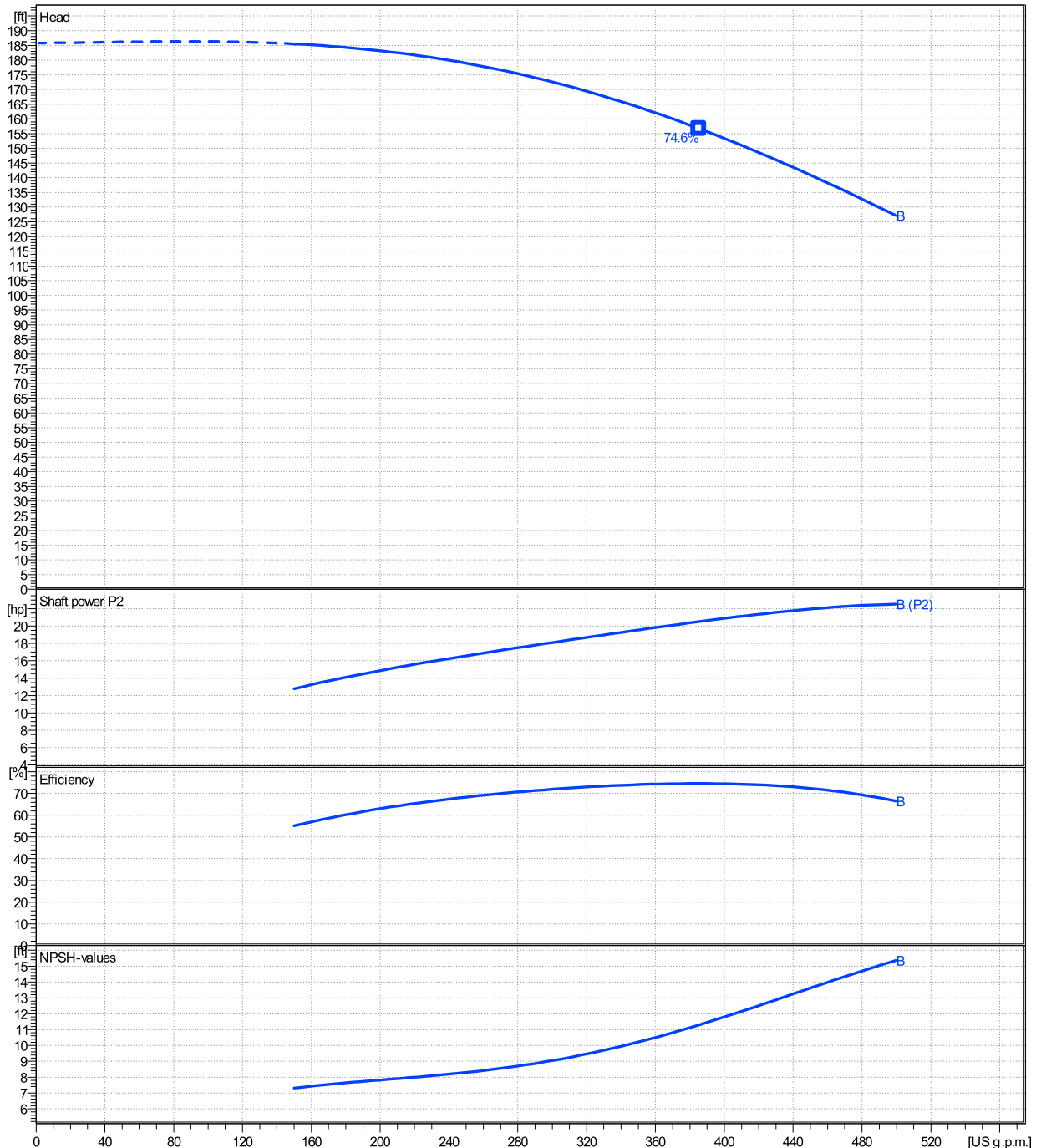
Performance Curve

Company
Contact
Tel.
E-mail

	Ø inch	Delivered Flow Application Range			Lift Capability		Shaft Power P2			Frequency		Hz	60
		Min. US g.p.m.	Max. US g.p.m.	Max. η US g.p.m.	H(Q=0) ft	η Max. ft	P2(Q=0) hp	Max. hp	η Max. hp	Operating speed rpm	Nominal flow US g.p.m.		
Is	6.843	150	500	385	186	157		22.5	20.5	Nominal head	ft	0	
Min.	5.500	/	/	354	115	86.3		/	10.7	Inlet pressure	psi	0	
Max.	7.156	/	/	385	202	176		/	22.7	Static head	ft	0	

Power data referred to:

Water [100%] ; 39.2°F; 62.4lb/ft³; 1.69E-5ft²/s



Project	Project ID	Created by	Created on 08-05-19	Last update
---------	------------	------------	------------------------	-------------

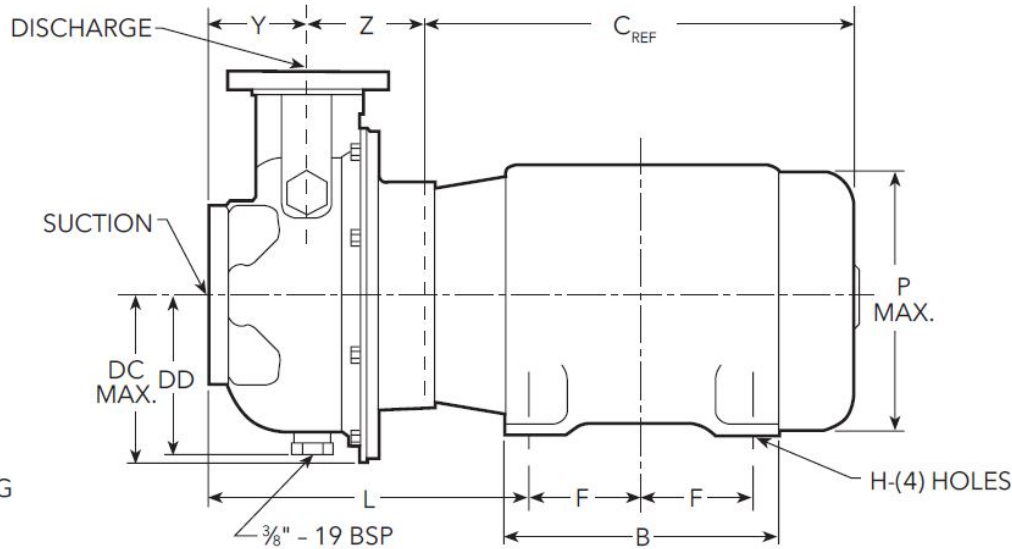
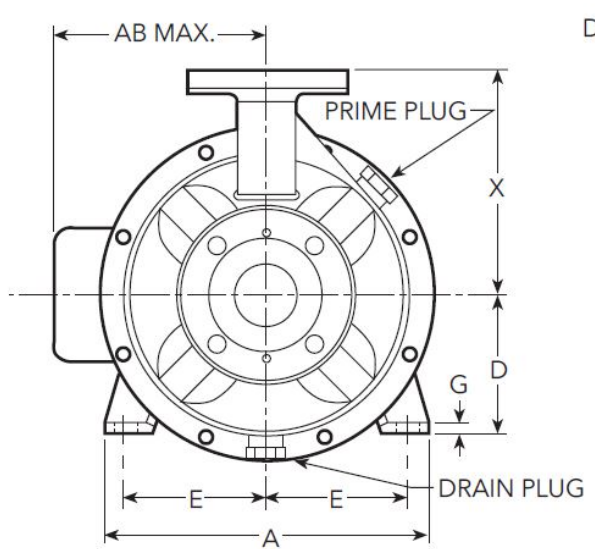
25SH06B25T3F2

Dimensions

Company
Contact
Tel.
E-mail

Close coupled
Rotation: 12 oClock [STD]
NEMA 3 ph TEPE [STD]Frame 256TCZ - 25 hp

Dimensions		[inch]	
DCmax	6		
DD	5 ³ / ₄		
L	12 ² / ₈		
X	7 ¹⁵ / ₁₆		
Y	4		
Z	3 ⁵ / ₈		



Connections	
Suction	Discharge port
NPS 3	NPS 2.5
CL150	CL150
ASME B16.5 (e-SH)	ASME B16.5 (e-SH)
Weight (+/- 5%)	
Pump	59 lb
Base Plate	
Motor	298 lb
Total weight	On demand lb

Note: Drawing not to be used for construction purposes. Weights subject to change.

Project	Project ID	Created by	Created on 08-05-19	Last update
---------	------------	------------	------------------------	-------------