

PROJECT: _____	UNIT TAG: _____	QUANTITY: _____
REPRESENTATIVE: _____	TYPE OF SERVICE: _____	DATE: _____
ENGINEER: _____	SUBMITTED BY: _____	DATE: _____
CONTRACTOR: _____	APPROVED BY: _____	DATE: _____
	ORDER NO.: _____	DATE: _____

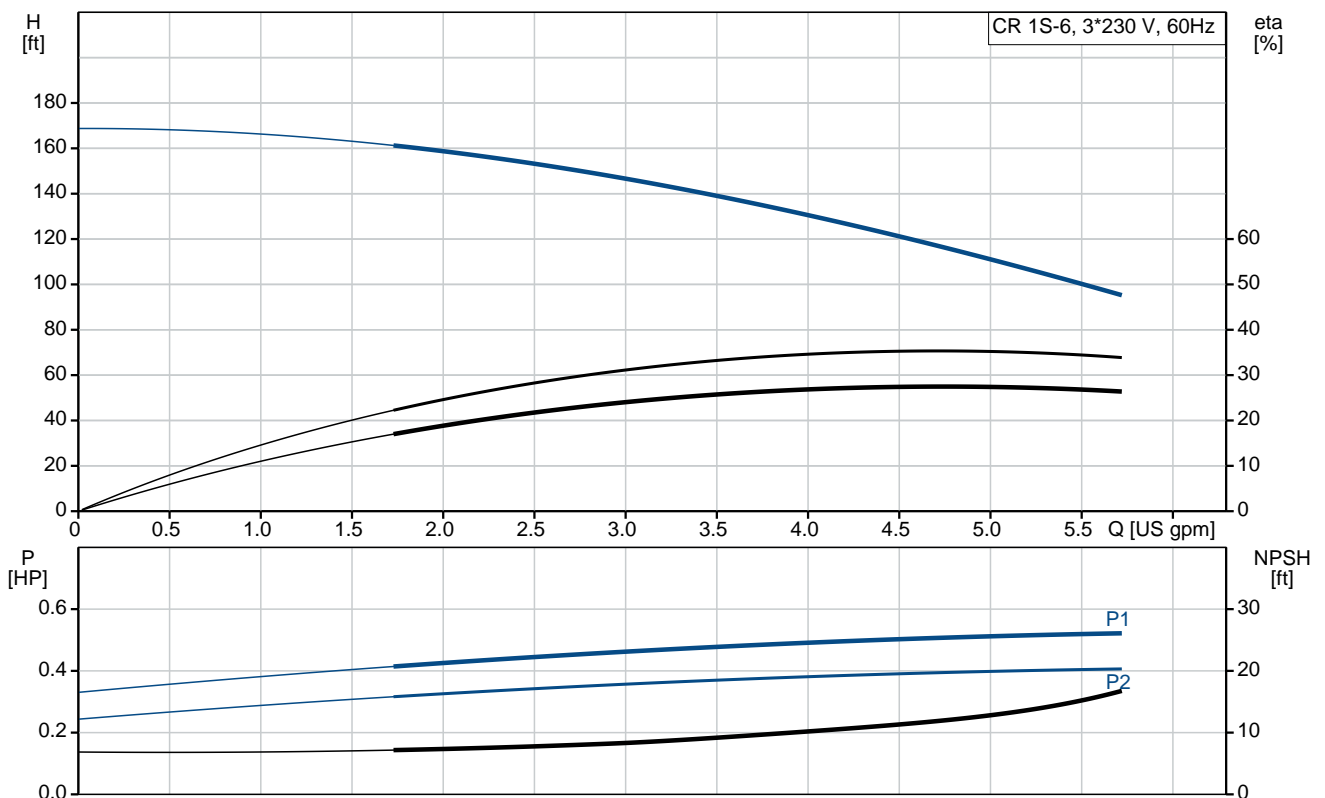


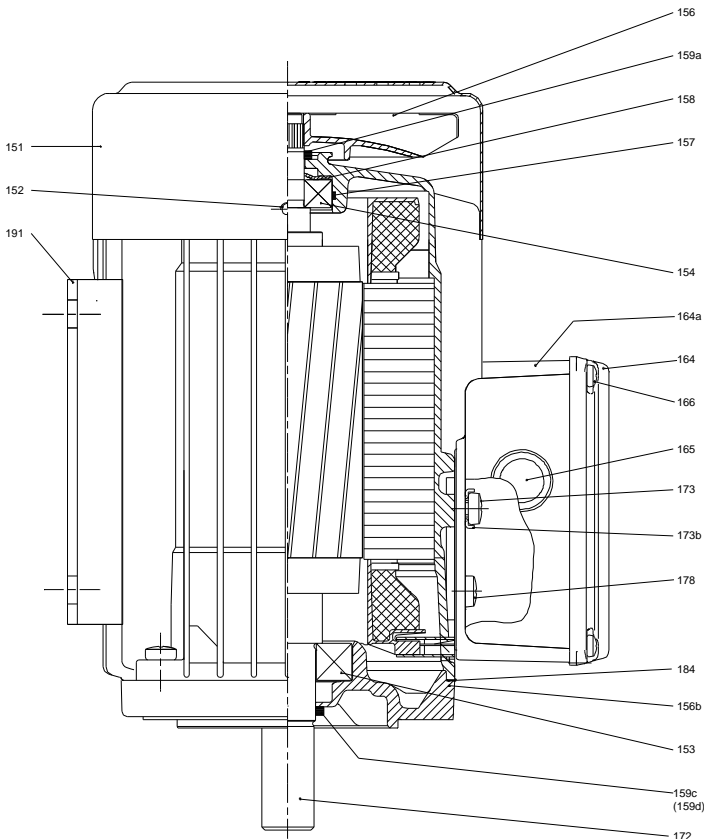
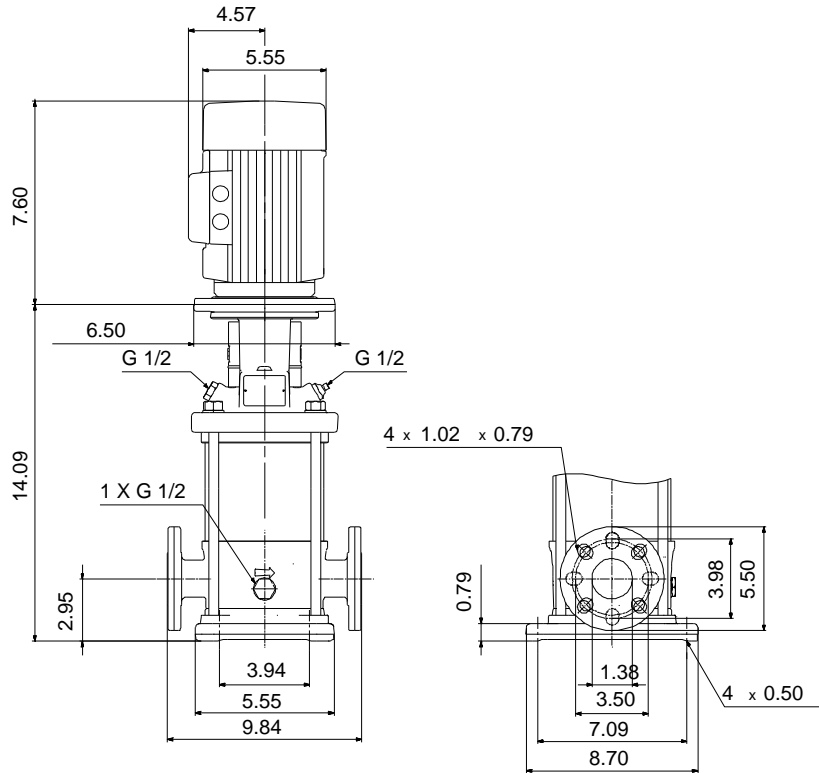
CR 1S-6 A-FGJ-A-E-HQQE

Vertical, multistage centrifugal pump with suction and discharge ports on the same level. The pump head and base are in cast iron. All other wetted parts are in stainless steel (EN 1.4301)(AISI 304)

Product photo could vary from the actual product


Conditions of Service	Pump Data	Motor Data
Flow: _____	Max pressure at stated temperature: 363 psi / 250 °F	Rated power - P2: 0.5 HP
Head: _____	Liquid temperature range: -4 .. 248 °F	Rated voltage: 208-230YY/460Y V
Efficiency: _____	Maximum ambient temperature: 104 °F	Main frequency: 60 Hz
Liquid: Water	Approvals: CURUS,NSF61	Enclosure class: 55 Dust/Jetting
Temperature: 68 °F	Shaft seal: HQQE	Insulation class: F
NPSH required: ft	Product number: 96081029	Motor protection: NONE
Viscosity: _____		Motor type: 71AB
Specific Gravity: 1.000		Motor_efficiency: 78.5 %





Materials:

- Base: Cast iron
EN 1561 EN-GJL-200
ASTM A48-25B
- Impeller: Stainless steel
AISI 304
EN 1.4301
- Material code: A
Code for rubber: E

Count	Description
1	<p data-bbox="225 340 536 362">CR 1S-6 A-FGJ-A-E-HQQE</p> <div data-bbox="363 389 464 629" style="text-align: center;">  </div> <p data-bbox="225 663 491 685">Product No.: 96081029</p> <p data-bbox="225 692 748 777">Vertical, non-self-priming, multistage, in-line, centrifugal pump for installation in pipe systems and mounting on a foundation.</p> <p data-bbox="225 810 703 833">The pump has the following characteristics:</p> <ul style="list-style-type: none"> <li data-bbox="264 840 850 862">- Impellers and intermediate chambers are made of <li data-bbox="264 869 692 891">- The shaft seal has assembly length according to EN 12756. <li data-bbox="264 925 735 987">- Power transmission is via cast iron split coupling. <p data-bbox="225 1019 600 1041">The motor is a 3-phase AC motor.</p> <p data-bbox="225 1075 325 1097">Controls:</p> <p data-bbox="225 1104 660 1126">Frequency converter: NONE</p> <p data-bbox="225 1164 309 1187">Liquid:</p> <p data-bbox="225 1193 660 1216">Pumped liquid: Water</p> <p data-bbox="225 1223 713 1245">Liquid temperature range: -4 .. 248 °F</p> <p data-bbox="225 1252 707 1274">Liquid temperature during operation: 68 °F</p> <p data-bbox="225 1281 708 1303">Density: 62.29 lb/ft³</p> <p data-bbox="225 1344 349 1366">Technical:</p> <p data-bbox="225 1373 695 1395">Rated pump speed: 3485 rpm</p> <p data-bbox="225 1402 735 1424">Rated flow: 4.84 US gpm</p> <p data-bbox="225 1431 676 1453">Rated head: 114.2 ft</p> <p data-bbox="225 1460 671 1482">Pump orientation: Vertical</p> <p data-bbox="225 1489 660 1512">Shaft seal arrangement: Single</p> <p data-bbox="225 1518 660 1541">Code for shaft seal: HQQE</p> <p data-bbox="225 1547 759 1570">Approvals on nameplate: CURUS,NSF61</p> <p data-bbox="225 1576 788 1599">Curve tolerance: ISO9906:2012 3B</p> <p data-bbox="225 1639 341 1662">Materials:</p> <p data-bbox="225 1668 831 1753">Base: Cast iron EN 1561 EN-GJL-200 ASTM A48-25B</p> <p data-bbox="225 1760 751 1845">Impeller: Stainless steel EN 1.4301 AISI 304</p> <p data-bbox="225 1852 632 1874">Bearing: SIC</p> <p data-bbox="225 1908 365 1930">Installation:</p> <p data-bbox="225 1937 663 1960">Maximum ambient temperature: 104 °F</p> <p data-bbox="225 1966 671 1989">Maximum operating pressure: 363 psi</p> <p data-bbox="225 1995 828 2054">Max pressure at stated temperature: 363 psi / 250 °F 363 psi / -4 °F</p> <p data-bbox="225 2060 767 2083">Type of connection: DIN / ANSI / JIS</p>



Company name:

Created by:

Phone:

Date:

1/4/2019

Count	Description
	Size of inlet connection: DN 25/32
	Size of suction port: 1 1/4 inch
	Size of outlet connection: DN 25/32
	Size of outlet port: 1 1/4 inch
	Pressure rating for pipe connection: PN 25
	Flange rating inlet: 250 lb
	Flange size for motor: 56C
	Electrical data:
	Motor standard: NEMA
	Motor type: 71AB
	Rated power - P2: 0.5 HP
	Power (P2) required by pump: 0.5 HP
	Main frequency: 60 Hz
	Rated voltage: 3 x 208-230YY/460Y V
	Service factor: 1.25
	Rated current: 1,64-1,55/0,78 A
	Starting current: 590-650 %
	Cos phi - power factor: 0.84-0.78
	Rated speed: 3430-3460 rpm
	Motor efficiency at full load: 78.5 %
	Number of poles: 2
	Enclosure class (IEC 34-5): 55 Dust/Jetting
	Insulation class (IEC 85): F
	Others:
	Net weight: 58.8 lb
	Gross weight: 69.8 lb
	Shipping volume: 4.94 ft ³
	Country of origin: US
	Custom tariff no.: 8413.70.2040



Company name:

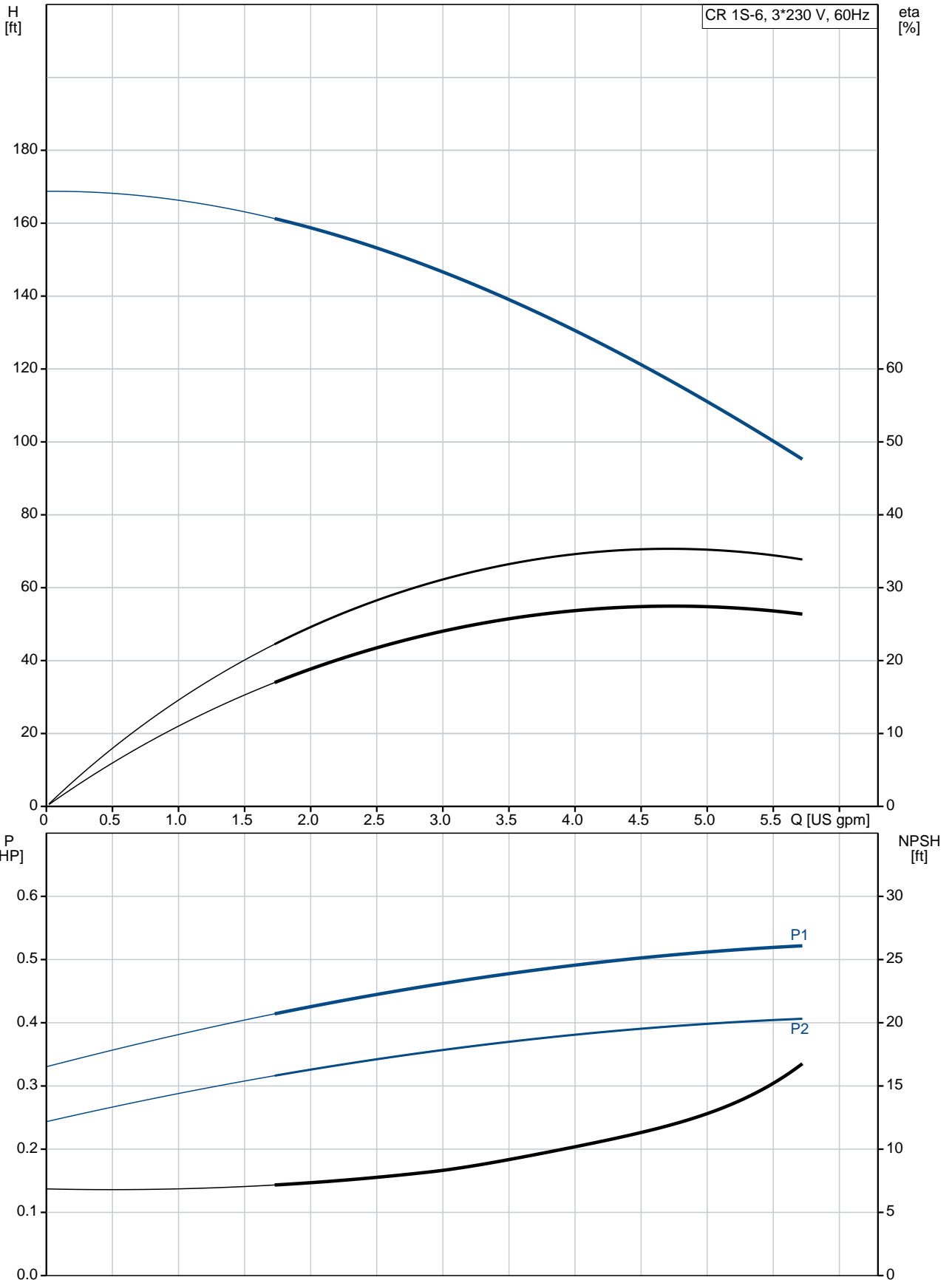
Created by:

Phone:

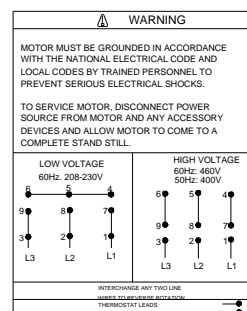
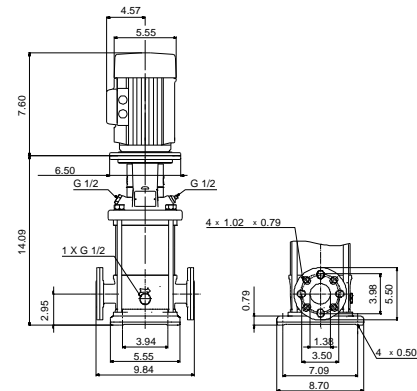
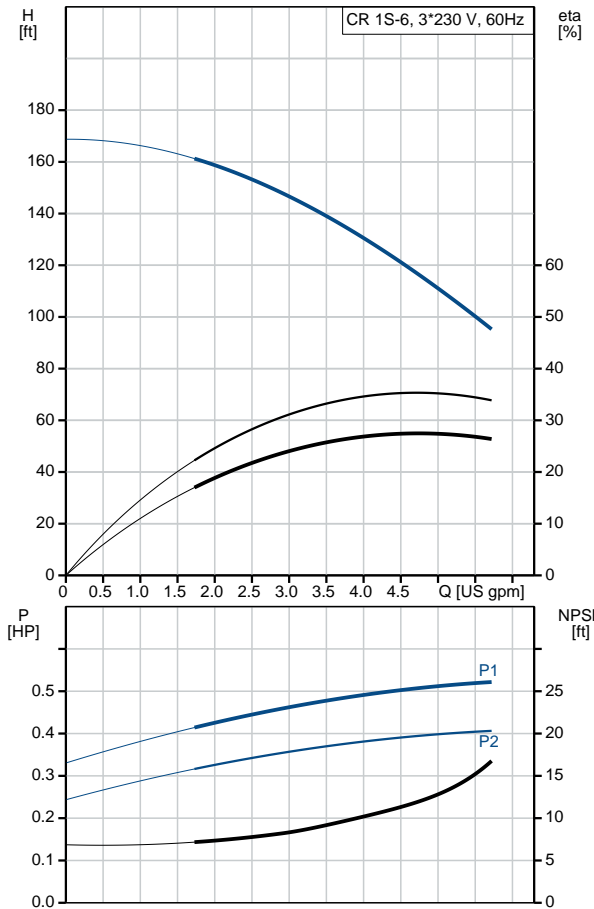
Date:

1/4/2019

96081029 CR 1S-6 A-FGJ-A-E-HQQE 60 Hz



Description	Value
General information:	
Product name:	CR 1S-6 A-FGJ-A-E-HQQE
Product No.:	96081029
EAN:	5700395154863
Technical:	
Rated pump speed:	3485 rpm
Rated flow:	4.84 US gpm
Rated head:	114.2 ft
Head max:	168.3 ft
Stages:	6
Impellers:	6
Number of reduced-diameter impellers:	0
Low NPSH:	No
Pump orientation:	Vertical
Shaft seal arrangement:	Single
Code for shaft seal:	HQQE
Approvals on nameplate:	CURUS,NSF61
Curve tolerance:	ISO9906:2012 3B
Pump version:	A
Model:	A
Cooling:	TEFC
Materials:	
Base:	Cast iron
	EN 1561 EN-GJL-200
	ASTM A48-25B
Impeller:	Stainless steel
	EN 1.4301
	AISI 304
Material code:	A
Code for rubber:	E
Bearing:	SIC
Installation:	
Maximum ambient temperature:	104 °F
Maximum operating pressure:	363 psi
Max pressure at stated temperature:	363 psi / 250 °F
	363 psi / -4 °F
Type of connection:	DIN / ANSI / JIS
Size of inlet connection:	DN 25/32
Size of suction port:	1 1/4 inch
Size of outlet connection:	DN 25/32
Size of outlet port:	1 1/4 inch
Pressure rating for pipe connection:	PN 25
Flange rating inlet:	250 lb
Flange size for motor:	56C
Connect code:	FGJ
Liquid:	
Pumped liquid:	Water
Liquid temperature range:	-4 .. 248 °F
Liquid temperature during operation:	68 °F
Density:	62.29 lb/ft³
Electrical data:	
Motor standard:	NEMA
Motor type:	71AB
Rated power - P2:	0.5 HP
Power (P2) required by pump:	0.5 HP
Main frequency:	60 Hz
Rated voltage:	3 x 208-230YY/460Y V





Company name:

Created by:

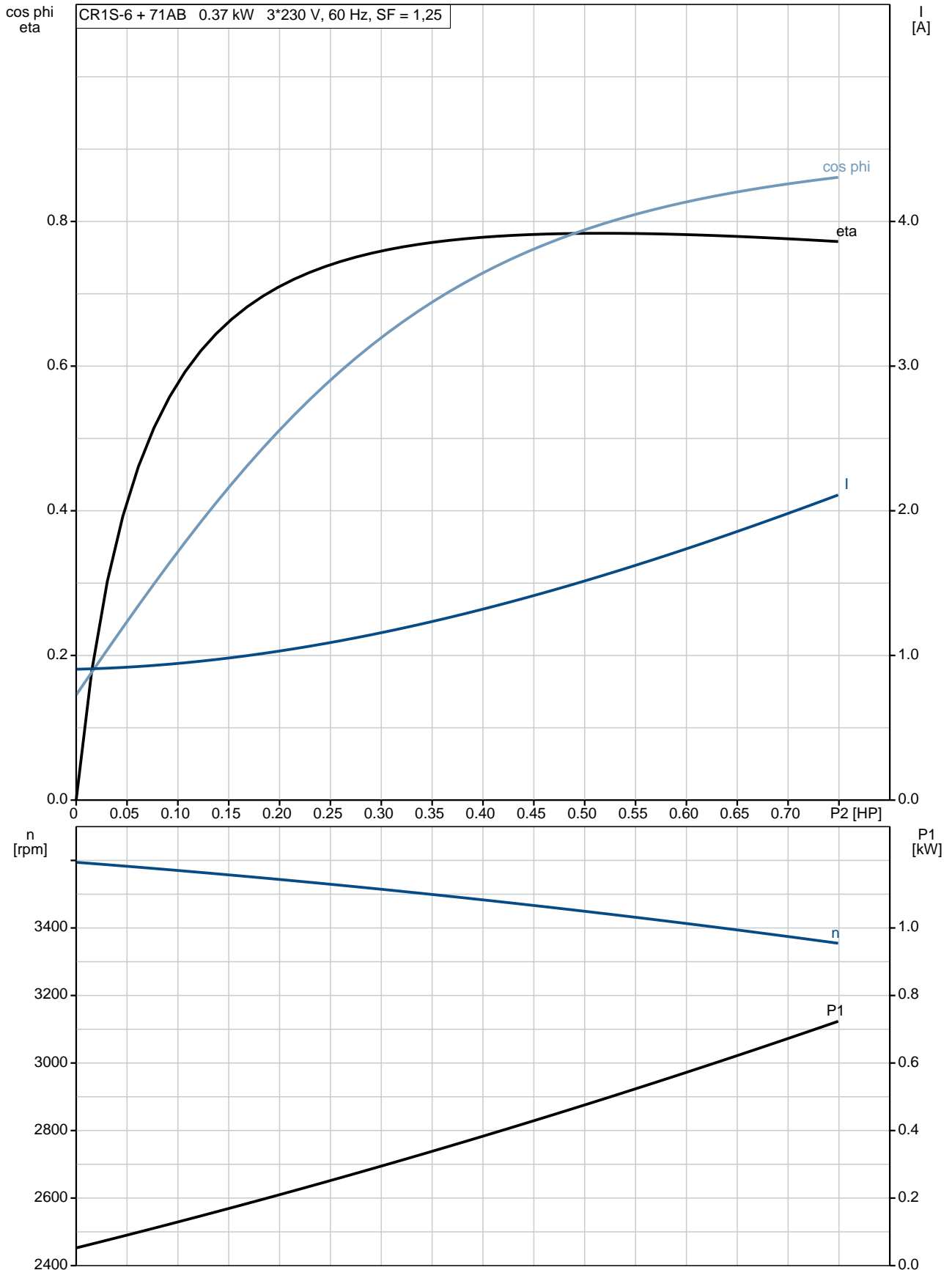
Phone:

Date:

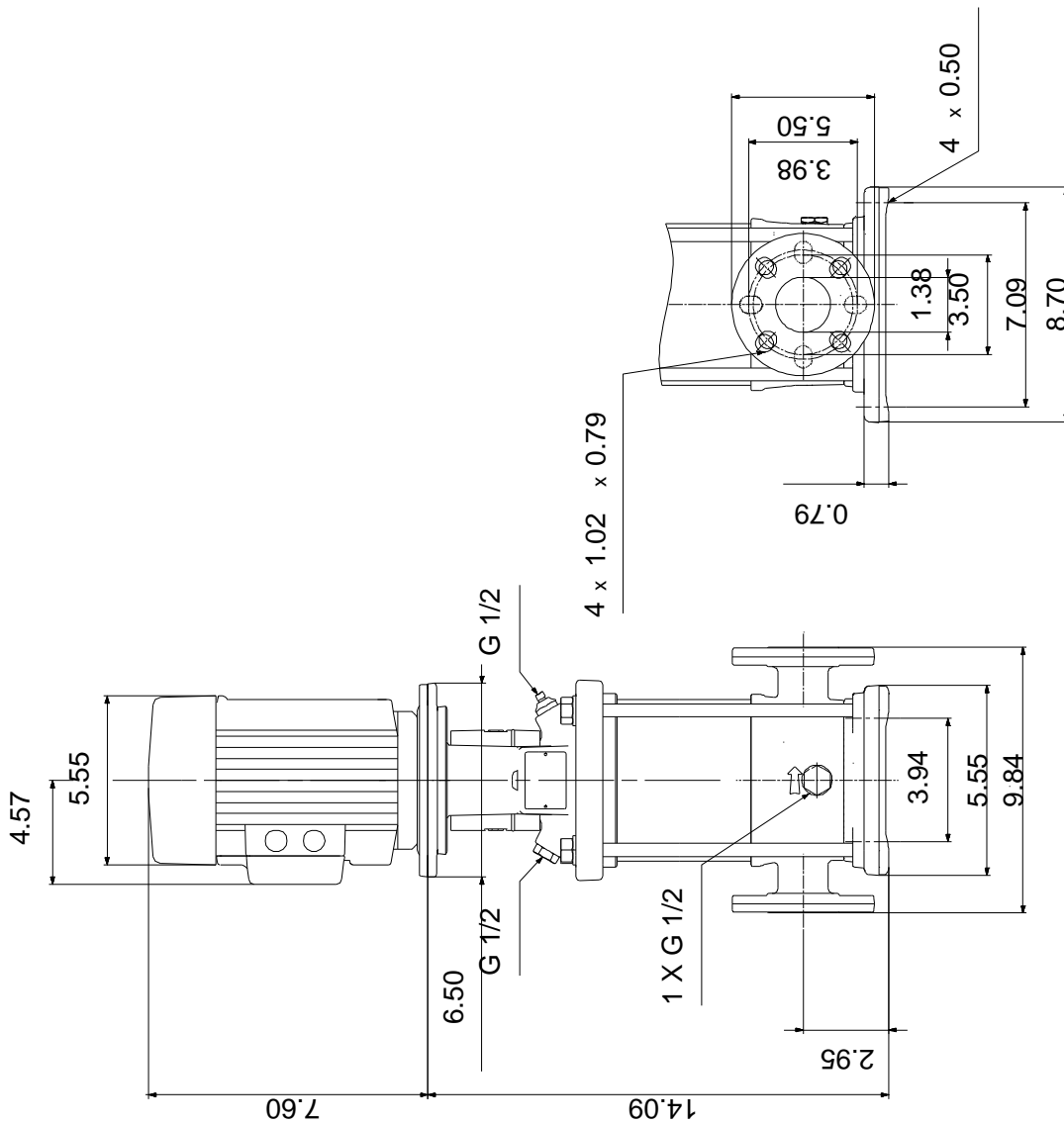
1/4/2019

Description	Value
Service factor:	1.25
Rated current:	1,64-1,55/0,78 A
Starting current:	590-650 %
Load current:	2,0-1,9/0,95 A
Cos phi - power factor:	0.84-0.78
Rated speed:	3430-3460 rpm
Motor efficiency at full load:	78.5 %
Number of poles:	2
Enclosure class (IEC 34-5):	55 Dust/Jetting
Insulation class (IEC 85):	F
Motor protection:	NONE
Motor Number:	85900701
Controls:	
Frequency converter:	NONE
Others:	
Net weight:	58.8 lb
Gross weight:	69.8 lb
Shipping volume:	4.94 ft ³
Country of origin:	US
Custom tariff no.:	8413.70.2040

96081029 CR 1S-6 A-FGJ-A-E-HQQE 60 Hz



96081029 CR 1S-6 A-FGJ-A-E-HQQE 60 Hz



Note! All units are in [mm] unless otherwise stated.
Disclaimer: This simplified dimensional drawing does not show all details.

96081029 CR 1S-6 A-FGJ-A-E-HQQE 60 Hz

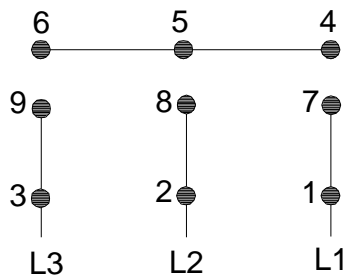


WARNING

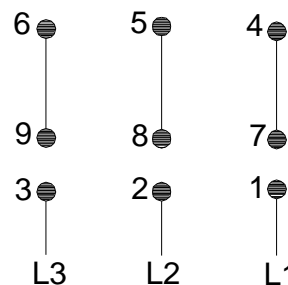
MOTOR MUST BE GROUNDED IN ACCORDANCE WITH THE NATIONAL ELECTRICAL CODE AND LOCAL CODES BY TRAINED PERSONNEL TO PREVENT SERIOUS ELECTRICAL SHOCKS.

TO SERVICE MOTOR, DISCONNECT POWER SOURCE FROM MOTOR AND ANY ACCESSORY DEVICES AND ALLOW MOTOR TO COME TO A COMPLETE STAND STILL.

LOW VOLTAGE 60Hz. 208-230V



HIGH VOLTAGE 60Hz: 460V 50Hz: 400V



96553852

INTERCHANGE ANY TWO LINE WIRES TO REVERSE ROTATION
THERMOSTAT LEADS
(WHEN PROVIDED)

