

PROJECT: _____	UNIT TAG: _____	QUANTITY: _____
REPRESENTATIVE: _____	TYPE OF SERVICE: _____	DATE: _____
ENGINEER: _____	SUBMITTED BY: _____	DATE: _____
CONTRACTOR: _____	APPROVED BY: _____	DATE: _____
	ORDER NO.: _____	DATE: _____

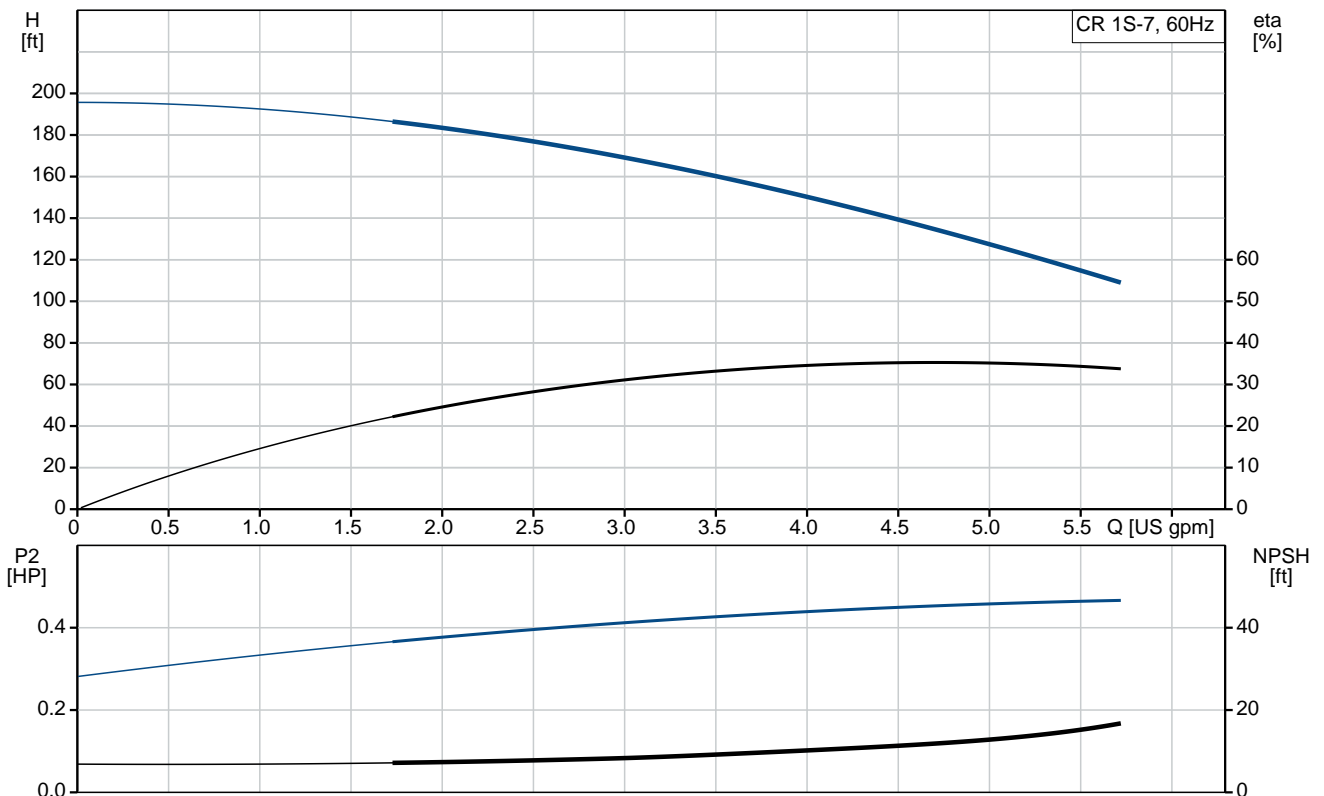
CR 1S-7 A-FGJ-A-E-HQQE

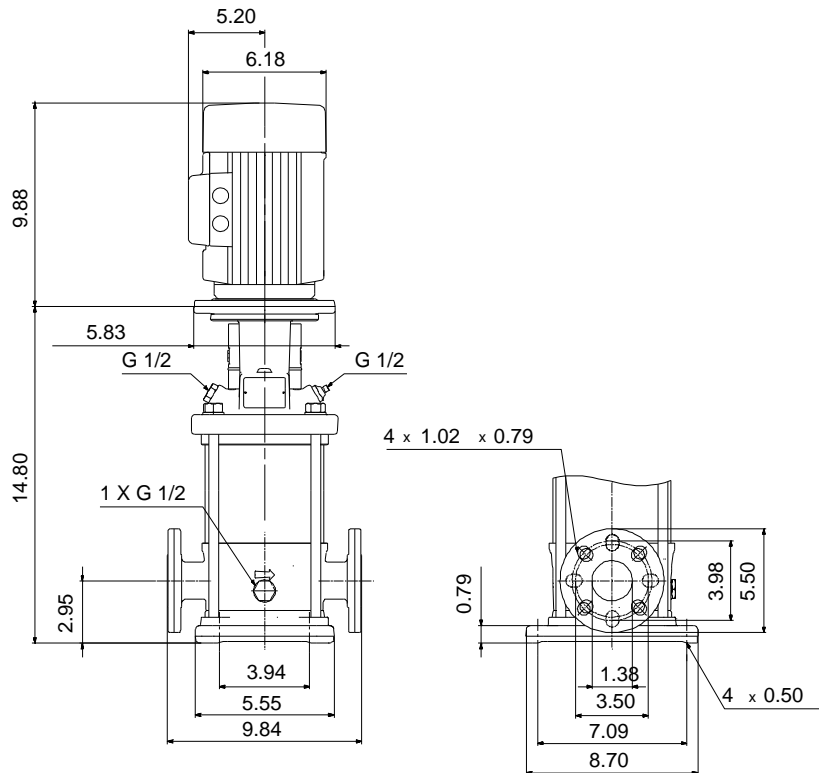
Vertical, multistage centrifugal pump with suction and discharge ports on the same level. The pump head and base are in cast iron. All other wetted parts are in stainless steel (EN 1.4301)(AISI 304)



Product photo could vary from the actual product


Conditions of Service	Pump Data	Motor Data
Flow: _____	Max pressure at stated temperature: 363 psi / 250 °F	Rated power - P2: 0.5 HP
Head: _____	Liquid temperature range: -4 .. 248 °F	Rated voltage: 115/230 V
Efficiency: _____	Maximum ambient temperature: 104 °F	Main frequency: 60 Hz
Liquid: Water	Approvals: CURUS, NSF61	Enclosure class: 54 Dust/Splashing
Temperature: 68 °F	Shaft seal: HQQE	Insulation class: B
NPSH required: ft	Product number: 96081030	Motor type: Baldor
Viscosity: _____		
Specific Gravity: 1.000		





Materials:

Base:	Cast iron EN 1561 EN-GJL-200 ASTM A48-25B
Impeller:	Stainless steel AISI 304 EN 1.4301
Material code:	A
Code for rubber:	E

Count	Description
1	<p data-bbox="225 338 536 360">CR 1S-7 A-FGJ-A-E-HQQE</p> <div data-bbox="365 383 461 629" style="text-align: center;">  </div> <p data-bbox="225 663 491 685">Product No.: 96081030</p> <p data-bbox="225 692 748 775">Vertical, non-self-priming, multistage, in-line, centrifugal pump for installation in pipe systems and mounting on a foundation.</p> <p data-bbox="225 808 702 837">The pump has the following characteristics:</p> <ul style="list-style-type: none"> <li data-bbox="264 840 850 869">- Impellers and intermediate chambers are made of <li data-bbox="264 871 692 900">- The shaft seal has assembly length according to EN 12756. <li data-bbox="264 929 735 987">- Power transmission is via cast iron split coupling. <p data-bbox="225 1016 600 1046">The motor is a 1-phase AC motor.</p> <p data-bbox="225 1077 325 1106">Controls:</p> <p data-bbox="225 1108 660 1137">Frequency converter: NONE</p> <p data-bbox="225 1167 309 1196">Liquid:</p> <p data-bbox="225 1198 657 1227">Pumped liquid: Water</p> <p data-bbox="225 1229 713 1258">Liquid temperature range: -4 .. 248 °F</p> <p data-bbox="225 1261 707 1290">Liquid temperature during operation: 68 °F</p> <p data-bbox="225 1292 708 1321">Density: 62.29 lb/ft³</p> <p data-bbox="225 1350 347 1379">Technical:</p> <p data-bbox="225 1382 695 1411">Rated pump speed: 3443 rpm</p> <p data-bbox="225 1413 735 1442">Rated flow: 4.84 US gpm</p> <p data-bbox="225 1444 676 1473">Rated head: 130.6 ft</p> <p data-bbox="225 1476 673 1505">Pump orientation: Vertical</p> <p data-bbox="225 1507 660 1536">Shaft seal arrangement: Single</p> <p data-bbox="225 1538 660 1568">Code for shaft seal: HQQE</p> <p data-bbox="225 1570 759 1599">Approvals on nameplate: CURUS,NSF61</p> <p data-bbox="225 1601 786 1630">Curve tolerance: ISO9906:2012 3B</p> <p data-bbox="225 1659 341 1688">Materials:</p> <p data-bbox="225 1691 831 1760">Base: Cast iron EN 1561 EN-GJL-200 ASTM A48-25B</p> <p data-bbox="225 1769 751 1839">Impeller: Stainless steel EN 1.4301 AISI 304</p> <p data-bbox="225 1848 632 1877">Bearing: SIC</p> <p data-bbox="225 1906 363 1935">Installation:</p> <p data-bbox="225 1937 663 1966">Maximum ambient temperature: 104 °F</p> <p data-bbox="225 1968 671 1998">Maximum operating pressure: 363 psi</p> <p data-bbox="225 2000 826 2069">Max pressure at stated temperature: 363 psi / 250 °F 363 psi / -4 °F</p> <p data-bbox="225 2078 767 2107">Type of connection: DIN / ANSI / JIS</p>



Company name:

Created by:

Phone:

Date:

1/8/2019

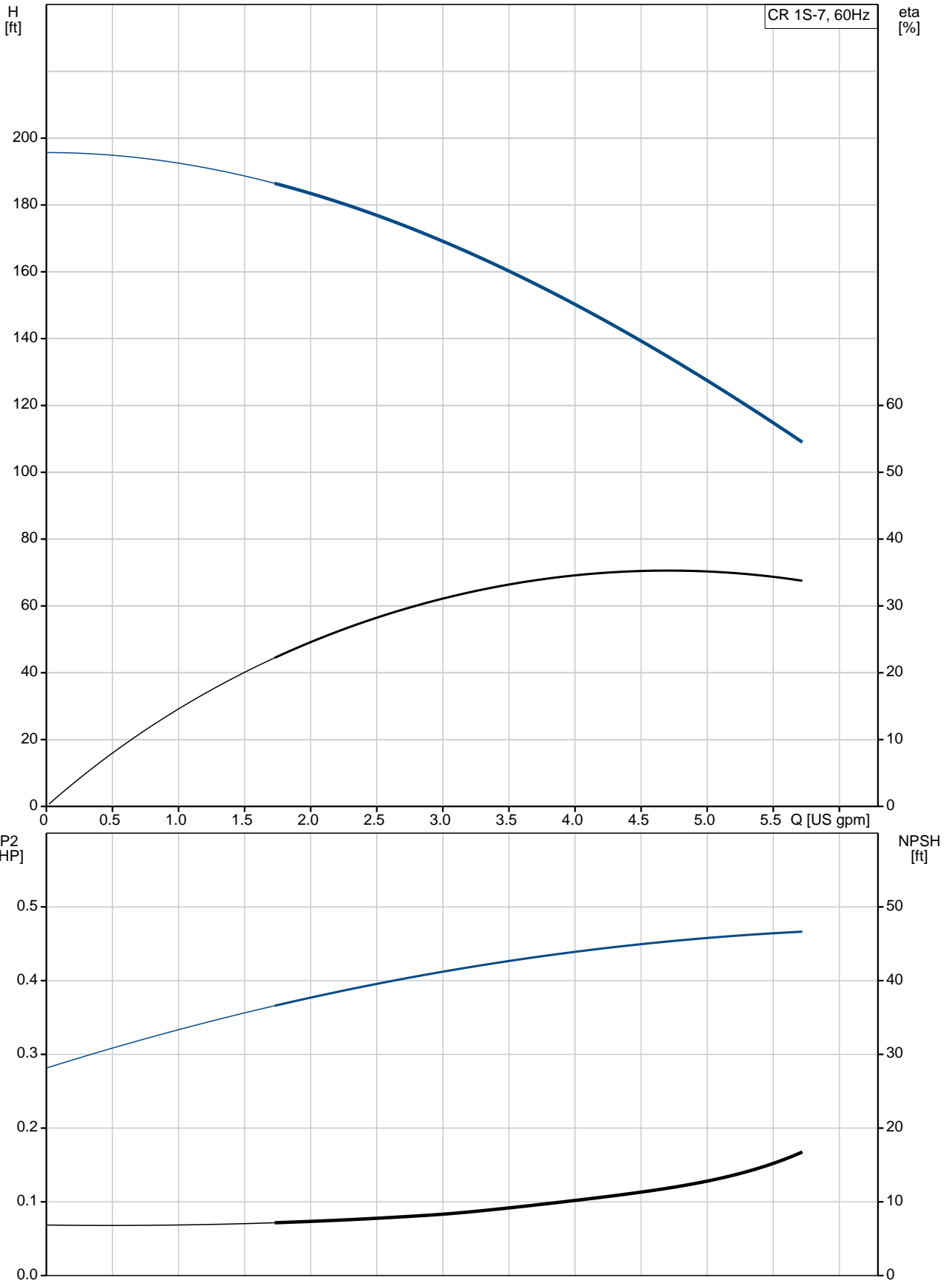
Count	Description
	Size of inlet connection: DN 25/32
	Size of suction port: 1 1/4 inch
	Size of outlet connection: DN 25/32
	Size of outlet port: 1 1/4 inch
	Pressure rating for pipe connection: PN 25
	Flange rating inlet: 250 lb
	Flange size for motor: 56C
	Electrical data:
	Motor standard: NEMA
	Motor type: Baldor
	Rated power - P2: 0.5 HP
	Power (P2) required by pump: 0.5 HP
	Main frequency: 60 Hz
	Rated voltage: 1 x 115/230 V
	Service factor: 1.60
	Rated current: 7.4/3.7 A
	Rated speed: 3450 rpm
	Number of poles: 2
	Enclosure class (IEC 34-5): 54 Dust/Splashing
	Insulation class (IEC 85): B
	Others:
	Net weight: 66 lb
	Gross weight: 77 lb
	Shipping volume: 6.11 ft ³
	Country of origin: US
	Custom tariff no.: 8413.70.2040



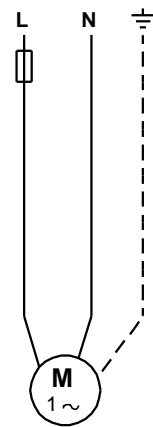
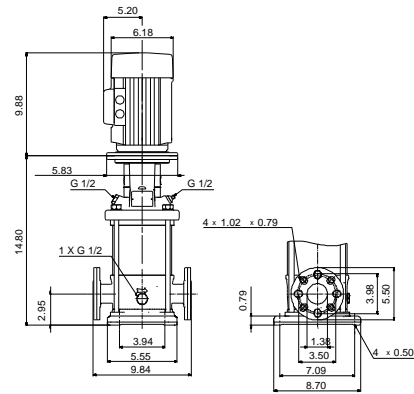
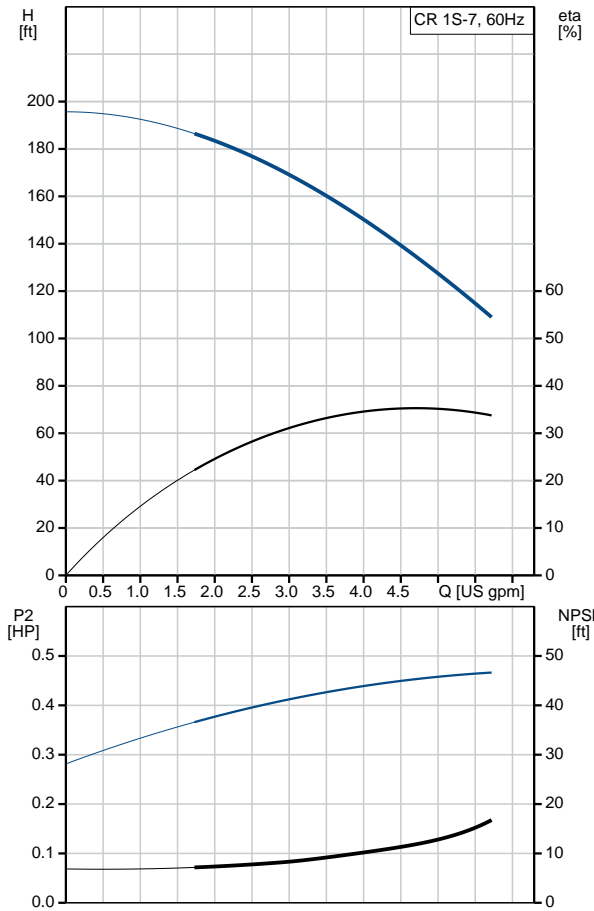
Company name:
Created by:
Phone:

Date: 1/8/2019

96081030 CR 1S-7 A-FGJ-A-E-HQQE 60 Hz



Description	Value
General information:	
Product name:	CR 1S-7 A-FGJ-A-E-HQQE
Product No.:	96081030
EAN:	5700395154870
Technical:	
Rated pump speed:	3443 rpm
Rated flow:	4.84 US gpm
Rated head:	130.6 ft
Head max:	194.2 ft
Stages:	7
Impellers:	7
Number of reduced-diameter impellers:	0
Low NPSH:	No
Pump orientation:	Vertical
Shaft seal arrangement:	Single
Code for shaft seal:	HQQE
Approvals on nameplate:	CURUS,NSF61
Curve tolerance:	ISO9906:2012 3B
Pump version:	A
Model:	A
Cooling:	TEFC
Materials:	
Base:	Cast iron EN 1561 EN-GJL-200 ASTM A48-25B
Impeller:	Stainless steel EN 1.4301 AISI 304
Material code:	A
Code for rubber:	E
Bearing:	SIC
Installation:	
Maximum ambient temperature:	104 °F
Maximum operating pressure:	363 psi
Max pressure at stated temperature:	363 psi / 250 °F 363 psi / -4 °F
Type of connection:	DIN / ANSI / JIS
Size of inlet connection:	DN 25/32
Size of suction port:	1 1/4 inch
Size of outlet connection:	DN 25/32
Size of outlet port:	1 1/4 inch
Pressure rating for pipe connection:	PN 25
Flange rating inlet:	250 lb
Flange size for motor:	56C
Connect code:	FGJ
Liquid:	
Pumped liquid:	Water
Liquid temperature range:	-4 .. 248 °F
Liquid temperature during operation:	68 °F
Density:	62.29 lb/ft³
Electrical data:	
Motor standard:	NEMA
Motor type:	Baldor
Rated power - P2:	0.5 HP
Power (P2) required by pump:	0.5 HP
Main frequency:	60 Hz
Rated voltage:	1 x 115/230 V





Company name:

Created by:

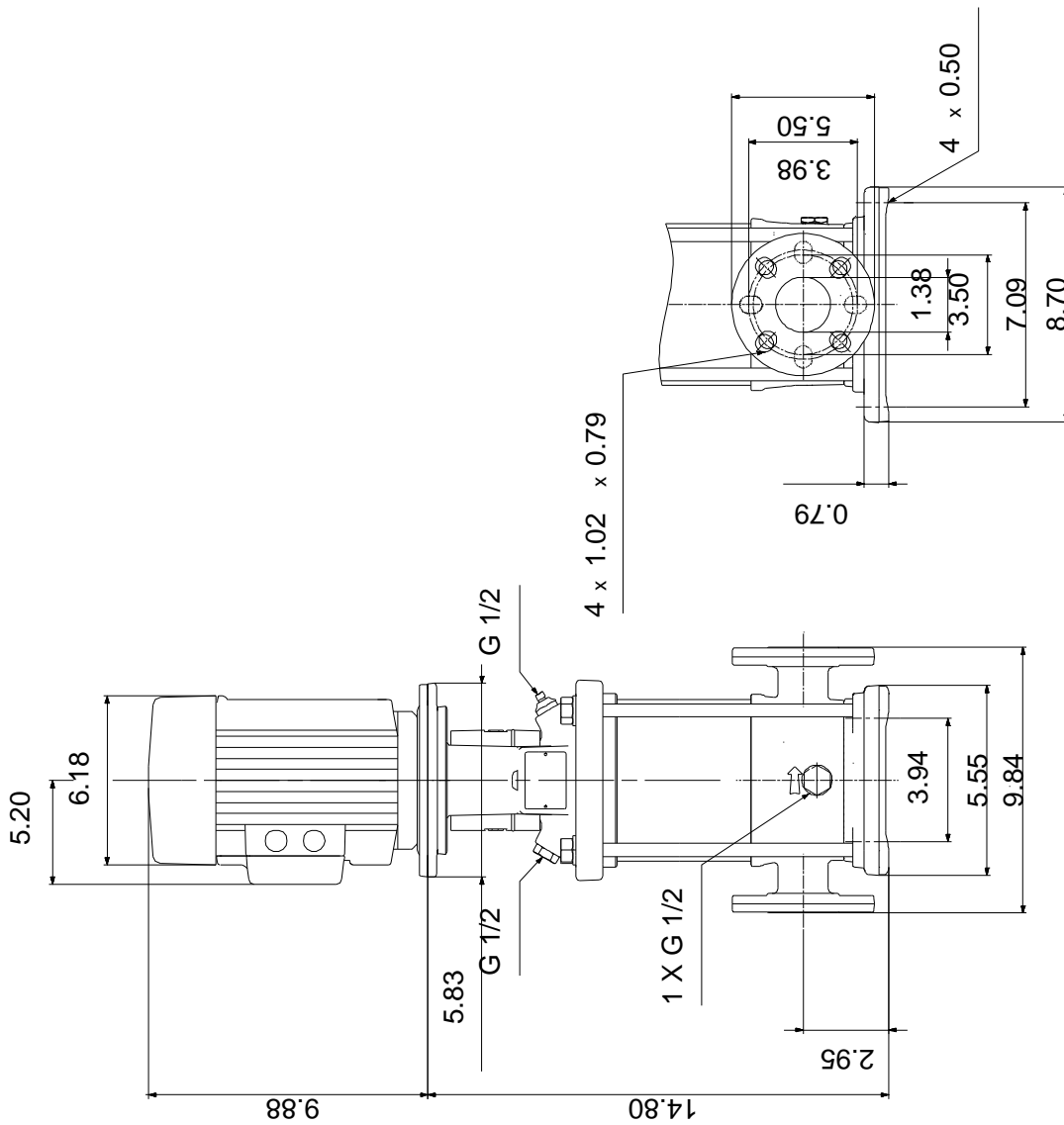
Phone:

Date:

1/8/2019

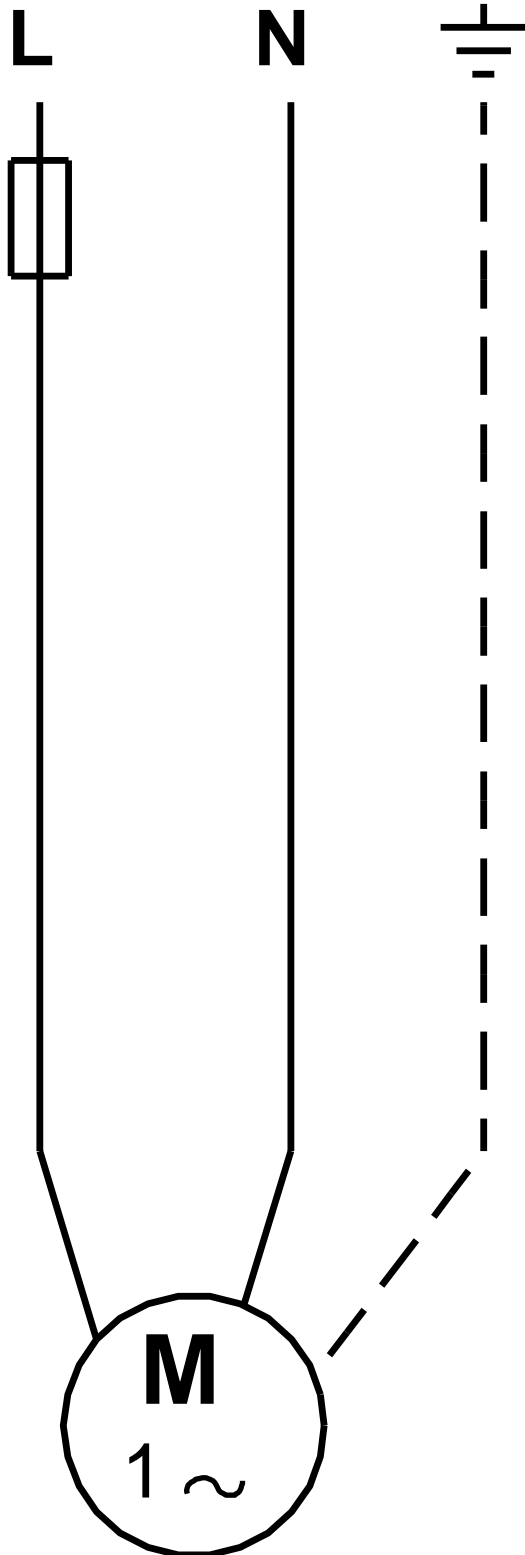
Description	Value
Service factor:	1.60
Rated current:	7.4/3.7 A
Load current:	9.8/4.9 A
Rated speed:	3450 rpm
Number of poles:	2
Enclosure class (IEC 34-5):	54 Dust/Splashing
Insulation class (IEC 85):	B
Motor Number:	85700002
Controls:	
Frequency converter:	NONE
Others:	
Net weight:	66 lb
Gross weight:	77 lb
Shipping volume:	6.11 ft ³
Country of origin:	US
Custom tariff no.:	8413.70.2040

96081030 CR 1S-7 A-FGJ-A-E-HQQE 60 Hz



Note! All units are in [mm] unless otherwise stated.
Disclaimer: This simplified dimensional drawing does not show all details.

96081030 CR 1S-7 A-FGJ-A-E-HQQE 60 Hz



All units are [mm] unless otherwise presented.