

PROJECT: _____	UNIT TAG: _____	QUANTITY: _____
REPRESENTATIVE: _____	TYPE OF SERVICE: _____	DATE: _____
ENGINEER: _____	SUBMITTED BY: _____	DATE: _____
CONTRACTOR: _____	APPROVED BY: _____	DATE: _____
	ORDER NO.: _____	DATE: _____

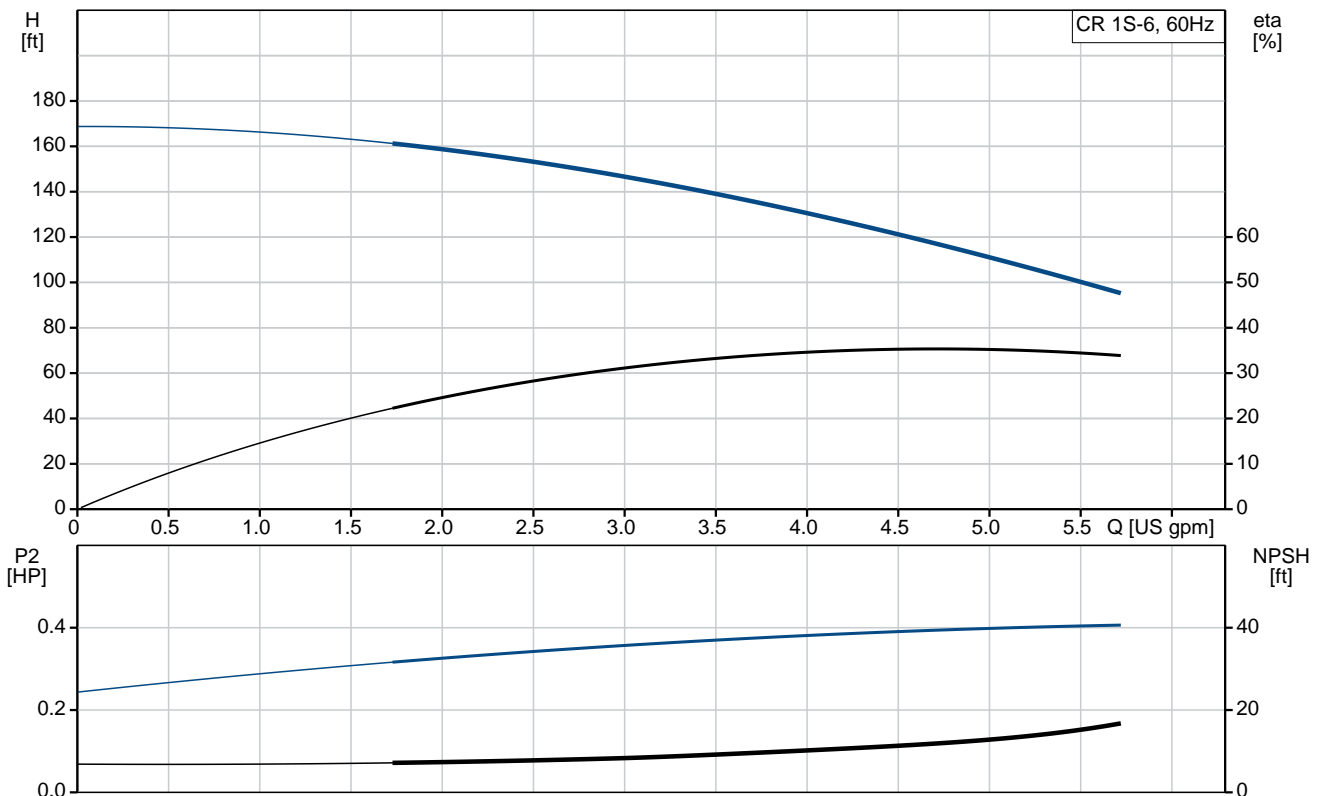
CR 1S-6 A-FGJ-A-V-HQQV

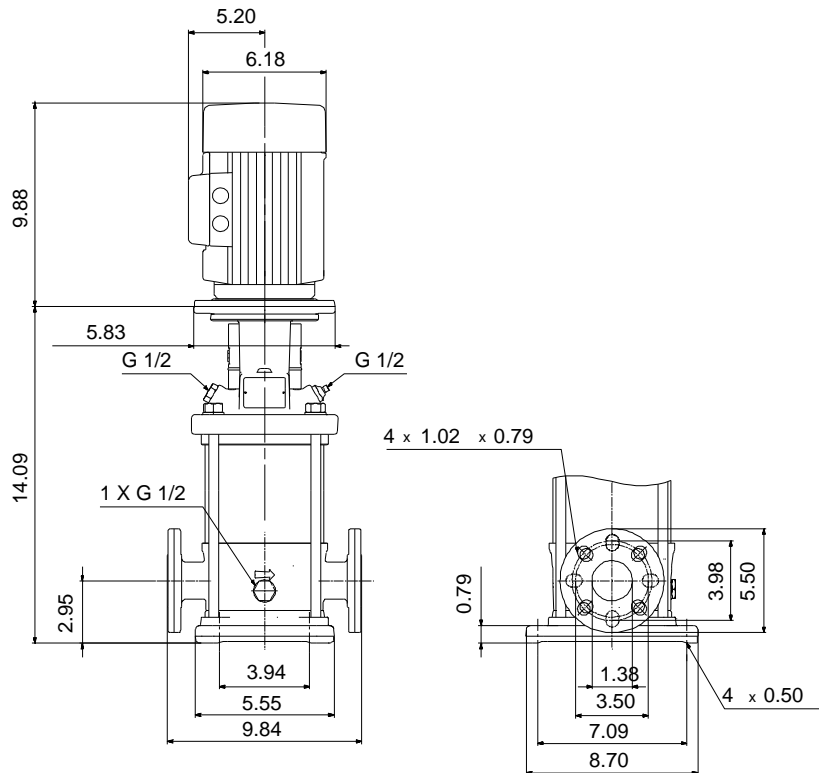


Vertical, multistage centrifugal pump with suction and discharge ports on the same level. The pump head and base are in cast iron. All other wetted parts are in stainless steel (EN 1.4301)(AISI 304)

Product photo could vary from the actual product


Conditions of Service	Pump Data	Motor Data
Flow: _____	Max pressure at stated temperature: 363 psi / 194 °F	Rated power - P2: 0.5 HP
Head: _____	Liquid temperature range: -4 .. 194 °F	Rated voltage: 115/230 V
Efficiency: _____	Maximum ambient temperature: 104 °F	Main frequency: 60 Hz
Liquid: Water	Approvals: CURUS	Enclosure class: 54 Dust/Splashing
Temperature: 68 °F	Shaft seal: HQQV	Insulation class: B
NPSH required: ft	Product number: 96081123	Motor type: Baldor
Viscosity: _____		
Specific Gravity: 1.000		





Materials:

Base:	Cast iron EN 1561 EN-GJL-200 ASTM A48-25B
Impeller:	Stainless steel AISI 304 EN 1.4301
Material code:	A
Code for rubber:	V

Count	Description
1	<p data-bbox="225 338 536 367">CR 1S-6 A-FGJ-A-V-HQQV</p> <div data-bbox="365 385 461 629" style="text-align: center;">  </div> <p data-bbox="225 663 491 692">Product No.: 96081123</p> <p data-bbox="225 692 748 779">Vertical, non-self-priming, multistage, in-line, centrifugal pump for installation in pipe systems and mounting on a foundation.</p> <p data-bbox="225 810 703 840">The pump has the following characteristics:</p> <ul data-bbox="264 840 850 958" style="list-style-type: none"> - Impellers and intermediate chambers are made of - The shaft seal has assembly length according to EN 12756. - Power transmission is via cast iron split coupling. <p data-bbox="225 1016 600 1046">The motor is a 1-phase AC motor.</p> <p data-bbox="225 1077 328 1106">Controls:</p> <p data-bbox="225 1106 662 1135">Frequency converter: NONE</p> <p data-bbox="225 1167 312 1196">Liquid:</p> <p data-bbox="225 1196 659 1225">Pumped liquid: Water</p> <p data-bbox="225 1225 715 1254">Liquid temperature range: -4 .. 194 °F</p> <p data-bbox="225 1254 708 1283">Liquid temperature during operation: 68 °F</p> <p data-bbox="225 1283 708 1312">Density: 62.29 lb/ft³</p> <p data-bbox="225 1344 352 1373">Technical:</p> <p data-bbox="225 1373 695 1402">Rated pump speed: 3443 rpm</p> <p data-bbox="225 1402 735 1431">Rated flow: 4.84 US gpm</p> <p data-bbox="225 1431 676 1460">Rated head: 110.2 ft</p> <p data-bbox="225 1460 675 1489">Pump orientation: Vertical</p> <p data-bbox="225 1489 660 1518">Shaft seal arrangement: Single</p> <p data-bbox="225 1518 663 1547">Code for shaft seal: HQQV</p> <p data-bbox="225 1547 679 1576">Approvals on nameplate: CURUS</p> <p data-bbox="225 1576 788 1606">Curve tolerance: ISO9906:2012 3B</p> <p data-bbox="225 1637 344 1666">Materials:</p> <p data-bbox="225 1666 831 1753">Base: Cast iron EN 1561 EN-GJL-200 ASTM A48-25B</p> <p data-bbox="225 1753 751 1841">Impeller: Stainless steel EN 1.4301 AISI 304</p> <p data-bbox="225 1841 632 1870">Bearing: SIC</p> <p data-bbox="225 1901 368 1930">Installation:</p> <p data-bbox="225 1930 663 1960">Maximum ambient temperature: 104 °F</p> <p data-bbox="225 1960 671 1989">Maximum operating pressure: 363 psi</p> <p data-bbox="225 1989 828 2054">Max pressure at stated temperature: 363 psi / 194 °F 363 psi / -4 °F</p> <p data-bbox="225 2054 767 2083">Type of connection: DIN / ANSI / JIS</p>



Company name:

Created by:

Phone:

Date:

1/8/2019

Count	Description
	Size of inlet connection: DN 25/32
	Size of suction port: 1 1/4 inch
	Size of outlet connection: DN 25/32
	Size of outlet port: 1 1/4 inch
	Pressure rating for pipe connection: PN 25
	Flange rating inlet: 250 lb
	Flange size for motor: 56C
	Electrical data:
	Motor standard: NEMA
	Motor type: Baldor
	Rated power - P2: 0.5 HP
	Power (P2) required by pump: 0.5 HP
	Main frequency: 60 Hz
	Rated voltage: 1 x 115/230 V
	Service factor: 1.60
	Rated current: 7.4/3.7 A
	Rated speed: 3450 rpm
	Number of poles: 2
	Enclosure class (IEC 34-5): 54 Dust/Splashing
	Insulation class (IEC 85): B
	Others:
	Net weight: 65.1 lb
	Gross weight: 76.1 lb
	Shipping volume: 4.94 ft ³
	Country of origin: US
	Custom tariff no.: 8413.70.2040



Company name:

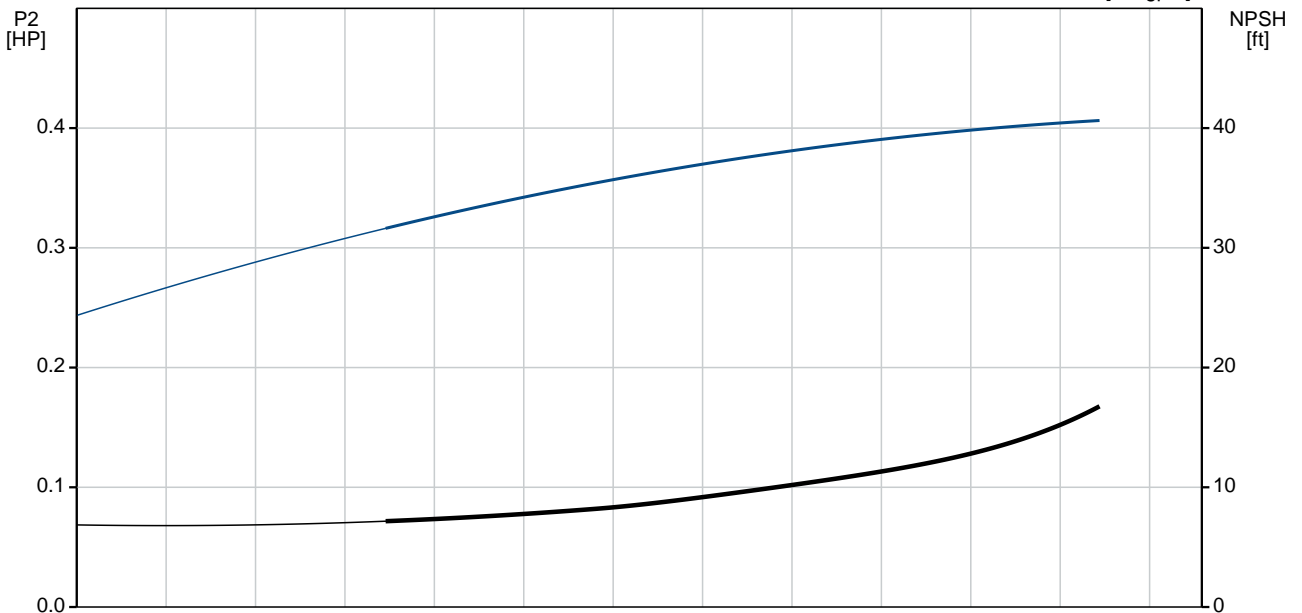
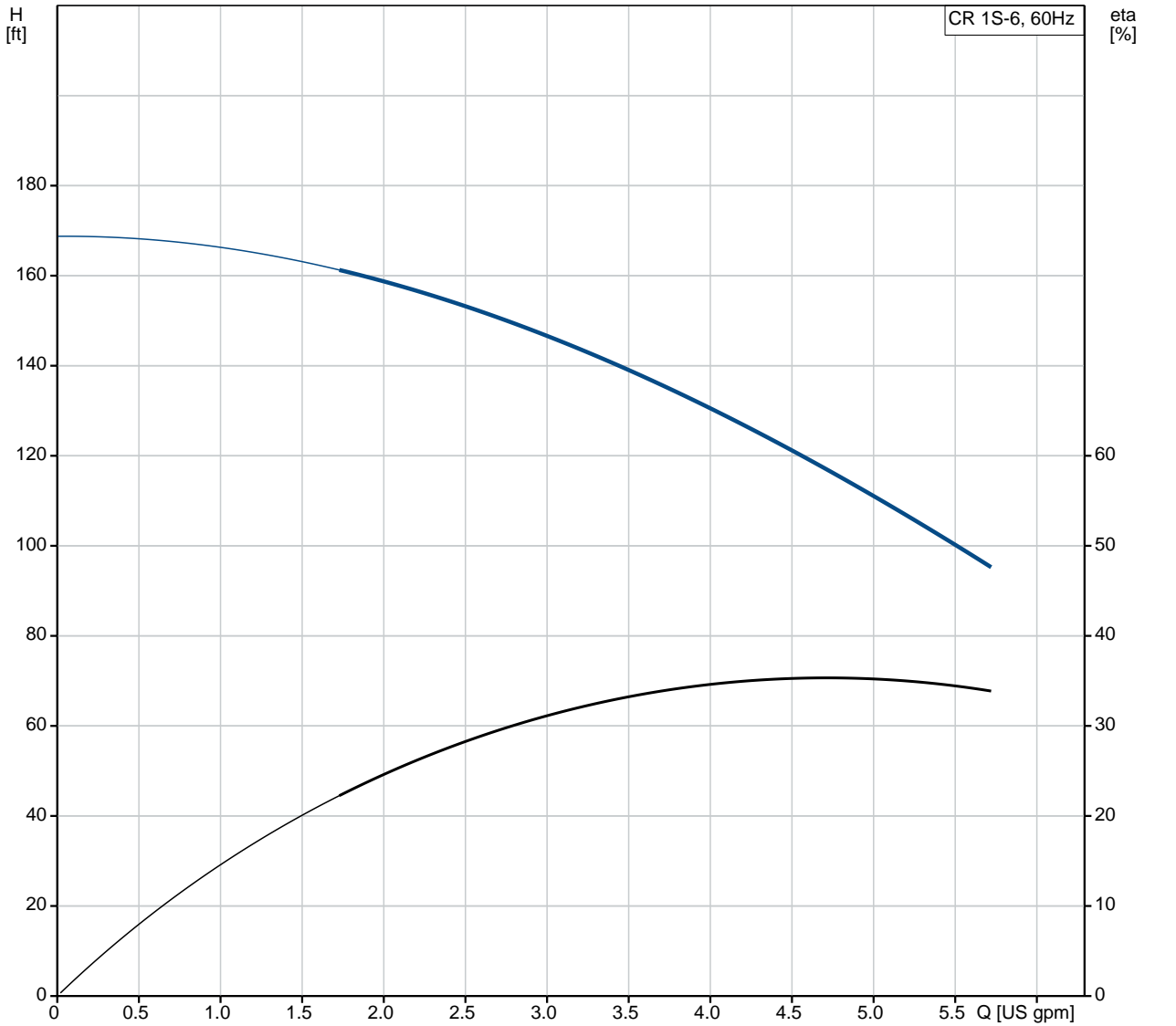
Created by:

Phone:

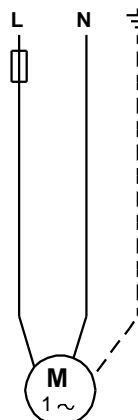
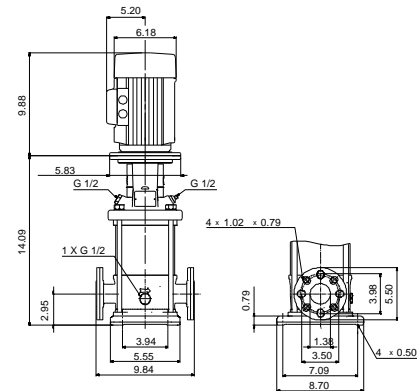
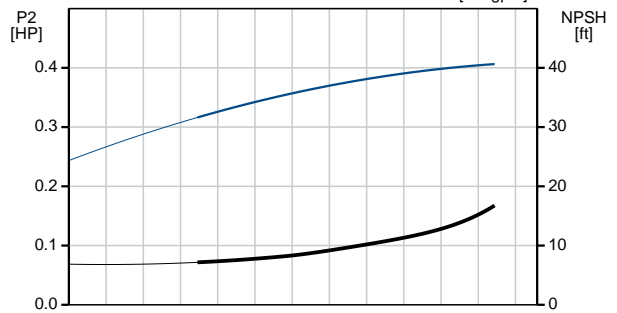
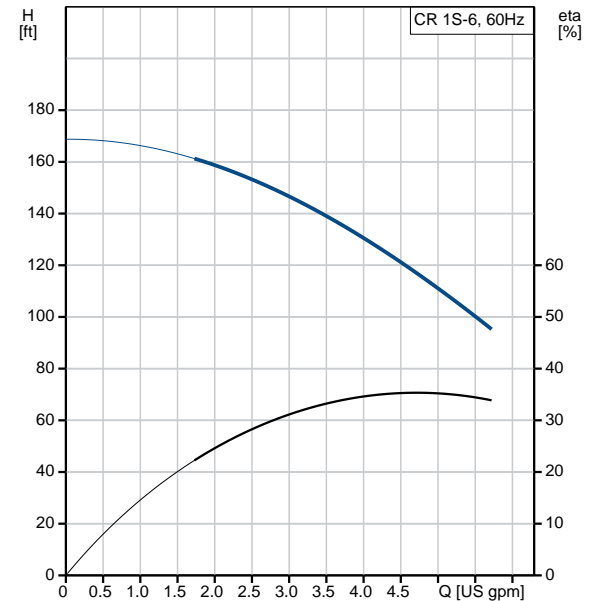
Date:

1/8/2019

96081123 CR 1S-6 A-FGJ-A-V-HQQV 60 Hz



Description	Value
General information:	
Product name:	CR 1S-6 A-FGJ-A-V-HQQV
Product No.:	96081123
EAN:	5700395155877
Technical:	
Rated pump speed:	3443 rpm
Rated flow:	4.84 US gpm
Rated head:	110.2 ft
Head max:	164.1 ft
Stages:	6
Impellers:	6
Number of reduced-diameter impellers:	0
Low NPSH:	No
Pump orientation:	Vertical
Shaft seal arrangement:	Single
Code for shaft seal:	HQQV
Approvals on nameplate:	CURUS
Curve tolerance:	ISO9906:2012 3B
Pump version:	A
Model:	A
Cooling:	TEFC
Materials:	
Base:	Cast iron EN 1561 EN-GJL-200 ASTM A48-25B
Impeller:	Stainless steel EN 1.4301 AISI 304
Material code:	A
Code for rubber:	V
Bearing:	SIC
Installation:	
Maximum ambient temperature:	104 °F
Maximum operating pressure:	363 psi
Max pressure at stated temperature:	363 psi / 194 °F 363 psi / -4 °F
Type of connection:	DIN / ANSI / JIS
Size of inlet connection:	DN 25/32
Size of suction port:	1 1/4 inch
Size of outlet connection:	DN 25/32
Size of outlet port:	1 1/4 inch
Pressure rating for pipe connection:	PN 25
Flange rating inlet:	250 lb
Flange size for motor:	56C
Connect code:	FGJ
Liquid:	
Pumped liquid:	Water
Liquid temperature range:	-4 .. 194 °F
Liquid temperature during operation:	68 °F
Density:	62.29 lb/ft ³
Electrical data:	
Motor standard:	NEMA
Motor type:	Baldor
Rated power - P2:	0.5 HP
Power (P2) required by pump:	0.5 HP
Main frequency:	60 Hz
Rated voltage:	1 x 115/230 V





Company name:

Created by:

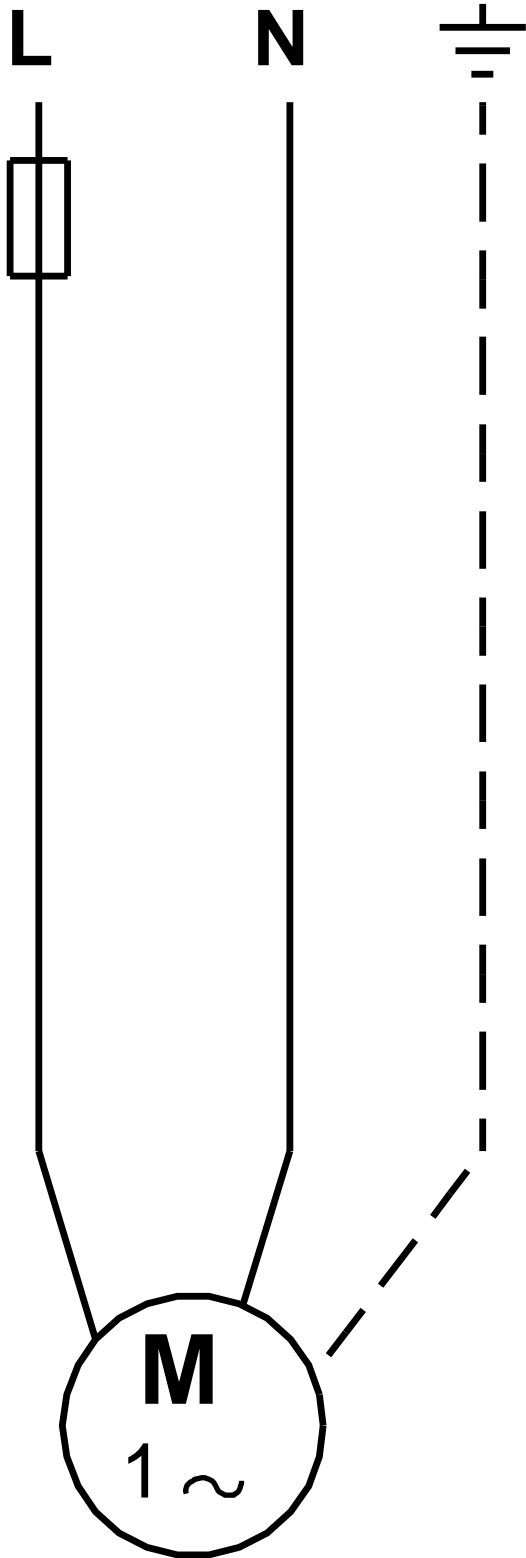
Phone:

Date:

1/8/2019

Description	Value
Service factor:	1.60
Rated current:	7.4/3.7 A
Load current:	9.8/4.9 A
Rated speed:	3450 rpm
Number of poles:	2
Enclosure class (IEC 34-5):	54 Dust/Splashing
Insulation class (IEC 85):	B
Motor Number:	85700002
Controls:	
Frequency converter:	NONE
Others:	
Net weight:	65.1 lb
Gross weight:	76.1 lb
Shipping volume:	4.94 ft ³
Country of origin:	US
Custom tariff no.:	8413.70.2040

96081123 CR 1S-6 A-FGJ-A-V-HQQV 60 Hz



All units are [mm] unless otherwise presented.