

PROJECT: _____	UNIT TAG: _____	QUANTITY: _____
REPRESENTATIVE: _____	TYPE OF SERVICE: _____	DATE: _____
ENGINEER: _____	SUBMITTED BY: _____	DATE: _____
CONTRACTOR: _____	APPROVED BY: _____	DATE: _____
	ORDER NO.: _____	DATE: _____

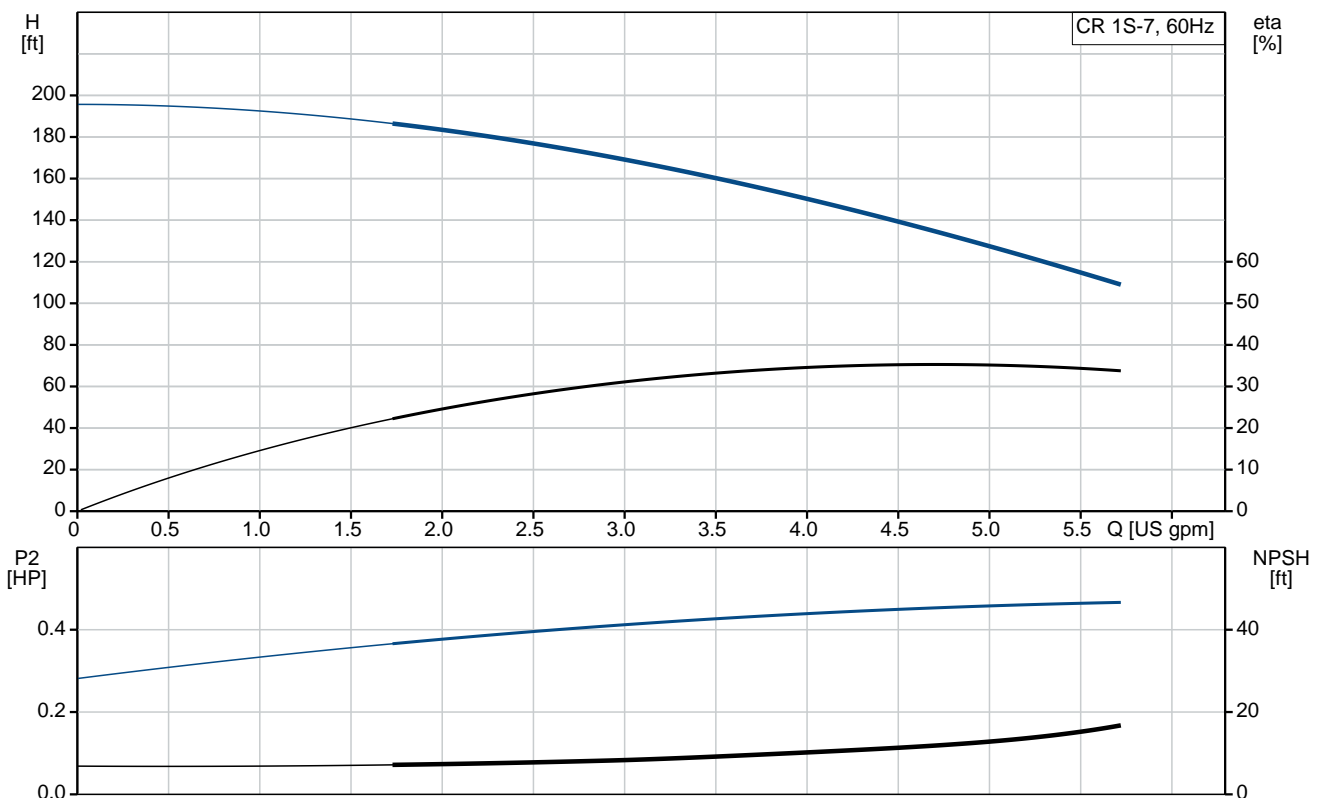
### CR 1S-7 A-FGJ-A-V-HQQV

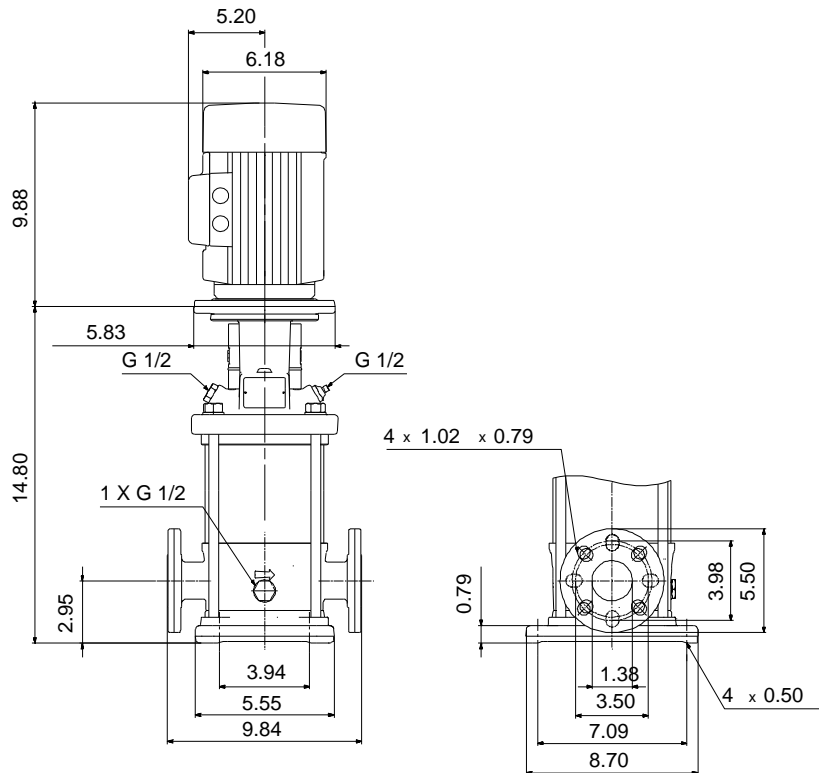


Vertical, multistage centrifugal pump with suction and discharge ports on the same level. The pump head and base are in cast iron. All other wetted parts are in stainless steel (EN 1.4301)(AISI 304)

Product photo could vary from the actual product

Conditions of Service	Pump Data	Motor Data
Flow: _____	Max pressure at stated temperature: 363 psi / 194 °F	Rated power - P2: 0.5 HP
Head: _____	Liquid temperature range: -4 .. 194 °F	Rated voltage: 115/230 V
Efficiency: _____	Maximum ambient temperature: 104 °F	Main frequency: 60 Hz
Liquid: Water	Approvals: CURUS	Enclosure class: 54 Dust/Splashing
Temperature: 68 °F	Shaft seal: HQQV	Insulation class: B
NPSH required: ft	Product number: 96081125	Motor type: Baldor
Viscosity: _____		
Specific Gravity: 1.000		






**Materials:**

Base: Cast iron  
 EN 1561 EN-GJL-200  
 ASTM A48-25B

Impeller: Stainless steel  
 AISI 304  
 EN 1.4301

Material code: A  
 Code for rubber: V

Count	Description
1	<p data-bbox="225 338 536 367"><b>CR 1S-7 A-FGJ-A-V-HQQV</b></p> <div data-bbox="365 383 461 629" style="text-align: center;">  </div> <p data-bbox="225 660 491 689">Product No.: <a href="#">96081125</a></p> <p data-bbox="225 689 748 779">Vertical, non-self-priming, multistage, in-line, centrifugal pump for installation in pipe systems and mounting on a foundation.</p> <p data-bbox="225 808 702 837">The pump has the following characteristics:</p> <ul data-bbox="264 837 850 958" style="list-style-type: none"> <li>- Impellers and intermediate chambers are made of</li> <li>- The shaft seal has assembly length according to EN 12756.</li> <li>- Power transmission is via cast iron split coupling.</li> </ul> <p data-bbox="225 1014 600 1043">The motor is a 1-phase AC motor.</p> <p data-bbox="225 1075 327 1104">Controls:</p> <p data-bbox="225 1104 662 1133">Frequency converter:                 NONE</p> <p data-bbox="225 1164 312 1193"><b>Liquid:</b></p> <p data-bbox="225 1193 657 1223">Pumped liquid:                         Water</p> <p data-bbox="225 1223 715 1252">Liquid temperature range:         -4 .. 194 °F</p> <p data-bbox="225 1252 707 1281">Liquid temperature during operation: 68 °F</p> <p data-bbox="225 1281 708 1310">Density:                                 62.29 lb/ft³</p> <p data-bbox="225 1341 351 1370"><b>Technical:</b></p> <p data-bbox="225 1370 695 1400">Rated pump speed:                     3443 rpm</p> <p data-bbox="225 1400 735 1429">Rated flow:                             4.84 US gpm</p> <p data-bbox="225 1429 676 1458">Rated head:                             130.6 ft</p> <p data-bbox="225 1458 673 1487">Pump orientation:                     Vertical</p> <p data-bbox="225 1487 660 1516">Shaft seal arrangement:             Single</p> <p data-bbox="225 1516 663 1545">Code for shaft seal:                 HQQV</p> <p data-bbox="225 1545 679 1574">Approvals on nameplate:           CURUS</p> <p data-bbox="225 1574 788 1603">Curve tolerance:                     ISO9906:2012 3B</p> <p data-bbox="225 1635 344 1664"><b>Materials:</b></p> <p data-bbox="225 1664 831 1756">Base:                                     Cast iron EN 1561 EN-GJL-200 ASTM A48-25B</p> <p data-bbox="225 1756 751 1848">Impeller:                               Stainless steel EN 1.4301 AISI 304</p> <p data-bbox="225 1848 632 1877">Bearing:                                 SIC</p> <p data-bbox="225 1908 367 1937"><b>Installation:</b></p> <p data-bbox="225 1937 663 1966">Maximum ambient temperature: 104 °F</p> <p data-bbox="225 1966 671 1995">Maximum operating pressure: 363 psi</p> <p data-bbox="225 1995 828 2054">Max pressure at stated temperature: 363 psi / 194 °F 363 psi / -4 °F</p> <p data-bbox="225 2054 767 2083">Type of connection:                 DIN / ANSI / JIS</p>



Company name:

Created by:

Phone:

Date:

1/8/2019

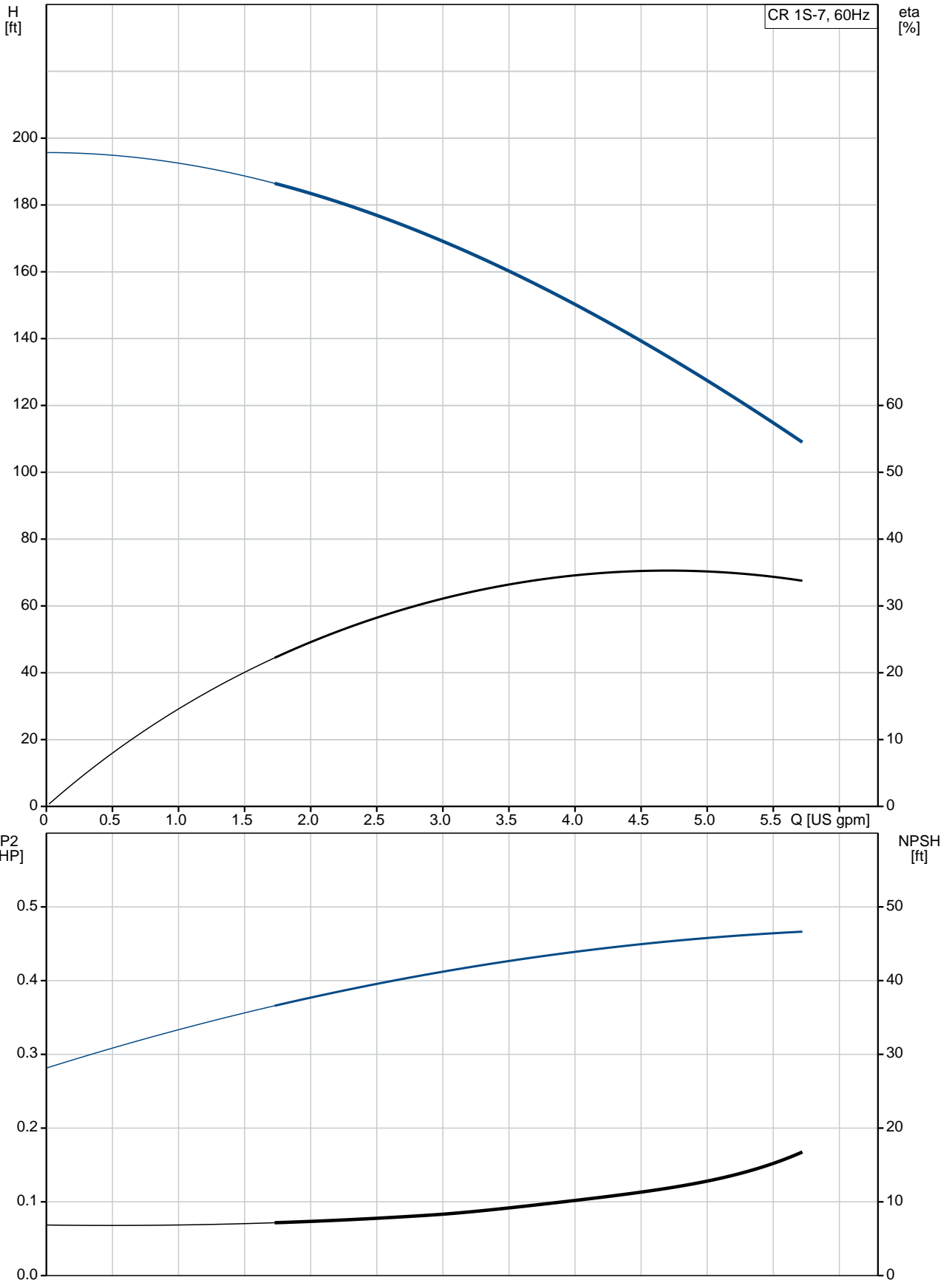
Count	Description
	Size of inlet connection: DN 25/32
	Size of suction port: 1 1/4 inch
	Size of outlet connection: DN 25/32
	Size of outlet port: 1 1/4 inch
	Pressure rating for pipe connection: PN 25
	Flange rating inlet: 250 lb
	Flange size for motor: 56C
	<b>Electrical data:</b>
	Motor standard: NEMA
	Motor type: Baldor
	Rated power - P2: 0.5 HP
	Power (P2) required by pump: 0.5 HP
	Main frequency: 60 Hz
	Rated voltage: 1 x 115/230 V
	Service factor: 1.60
	Rated current: 7.4/3.7 A
	Rated speed: 3450 rpm
	Number of poles: 2
	Enclosure class (IEC 34-5): 54 Dust/Splashing
	Insulation class (IEC 85): B
	<b>Others:</b>
	Net weight: 66 lb
	Gross weight: 77 lb
	Shipping volume: 6.11 ft <sup>3</sup>
	Country of origin: US
	Custom tariff no.: 8413.70.2040



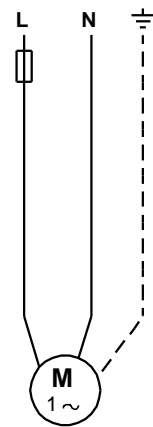
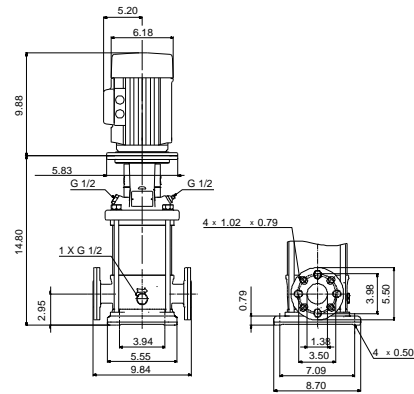
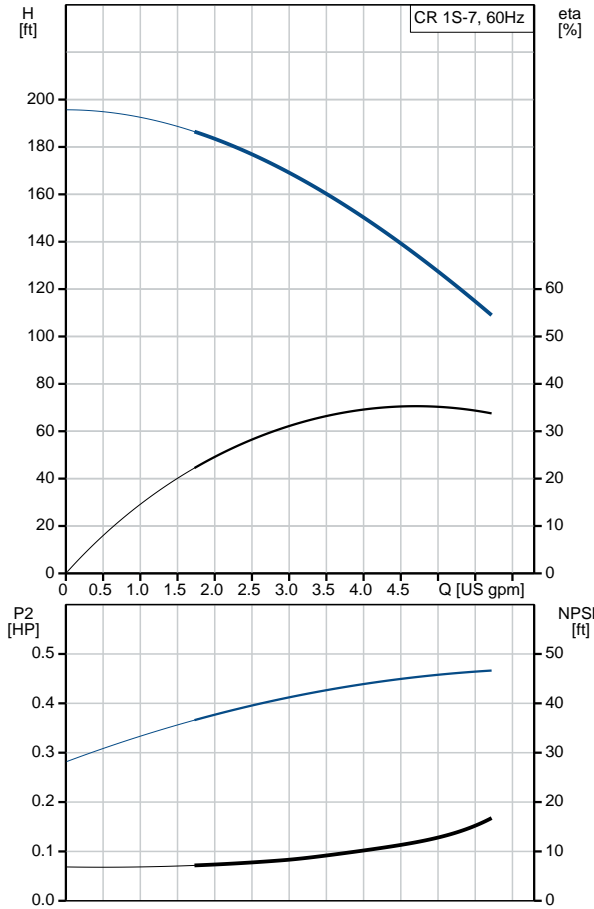
Company name:  
Created by:  
Phone:

Date: 1/8/2019

### 96081125 CR 1S-7 A-FGJ-A-V-HQQV 60 Hz



Description	Value
<b>General information:</b>	
Product name:	CR 1S-7 A-FGJ-A-V-HQQV
Product No.:	96081125
EAN:	5700395155891
<b>Technical:</b>	
Rated pump speed:	3443 rpm
Rated flow:	4.84 US gpm
Rated head:	130.6 ft
Head max:	194.2 ft
Stages:	7
Impellers:	7
Number of reduced-diameter impellers:	0
Low NPSH:	No
Pump orientation:	Vertical
Shaft seal arrangement:	Single
Code for shaft seal:	HQQV
Approvals on nameplate:	CURUS
Curve tolerance:	ISO9906:2012 3B
Pump version:	A
Model:	A
Cooling:	TEFC
<b>Materials:</b>	
Base:	Cast iron EN 1561 EN-GJL-200 ASTM A48-25B
Impeller:	Stainless steel EN 1.4301 AISI 304
Material code:	A
Code for rubber:	V
Bearing:	SIC
<b>Installation:</b>	
Maximum ambient temperature:	104 °F
Maximum operating pressure:	363 psi
Max pressure at stated temperature:	363 psi / 194 °F 363 psi / -4 °F
Type of connection:	DIN / ANSI / JIS
Size of inlet connection:	DN 25/32
Size of suction port:	1 1/4 inch
Size of outlet connection:	DN 25/32
Size of outlet port:	1 1/4 inch
Pressure rating for pipe connection:	PN 25
Flange rating inlet:	250 lb
Flange size for motor:	56C
Connect code:	FGJ
<b>Liquid:</b>	
Pumped liquid:	Water
Liquid temperature range:	-4 .. 194 °F
Liquid temperature during operation:	68 °F
Density:	62.29 lb/ft³
<b>Electrical data:</b>	
Motor standard:	NEMA
Motor type:	Baldor
Rated power - P2:	0.5 HP
Power (P2) required by pump:	0.5 HP
Main frequency:	60 Hz
Rated voltage:	1 x 115/230 V





Company name:

Created by:

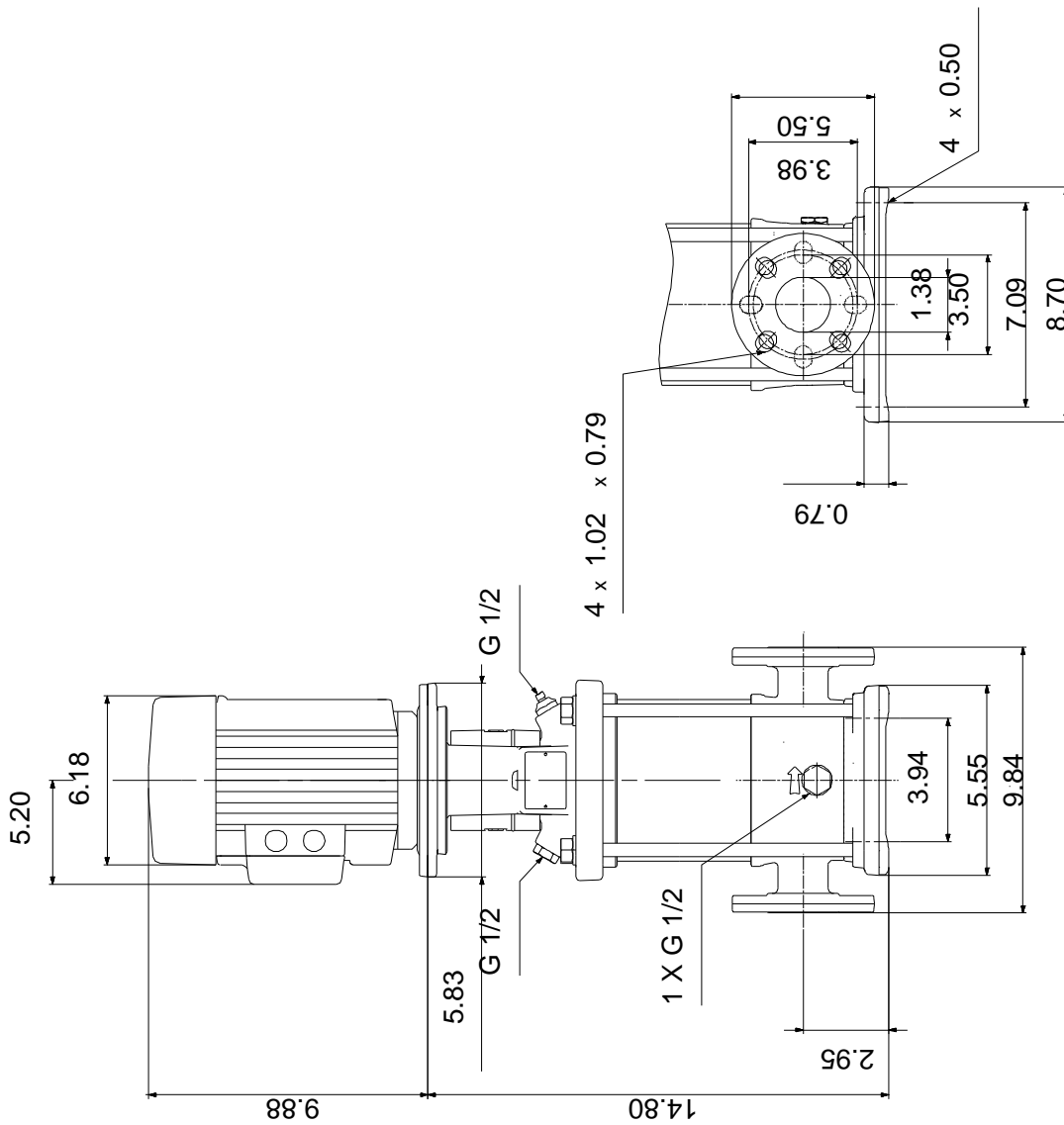
Phone:

Date:

1/8/2019

Description	Value
Service factor:	1.60
Rated current:	7.4/3.7 A
Load current:	9.8/4.9 A
Rated speed:	3450 rpm
Number of poles:	2
Enclosure class (IEC 34-5):	54 Dust/Splashing
Insulation class (IEC 85):	B
Motor Number:	85700002
<b>Controls:</b>	
Frequency converter:	NONE
<b>Others:</b>	
Net weight:	66 lb
Gross weight:	77 lb
Shipping volume:	6.11 ft <sup>3</sup>
Country of origin:	US
Custom tariff no.:	8413.70.2040

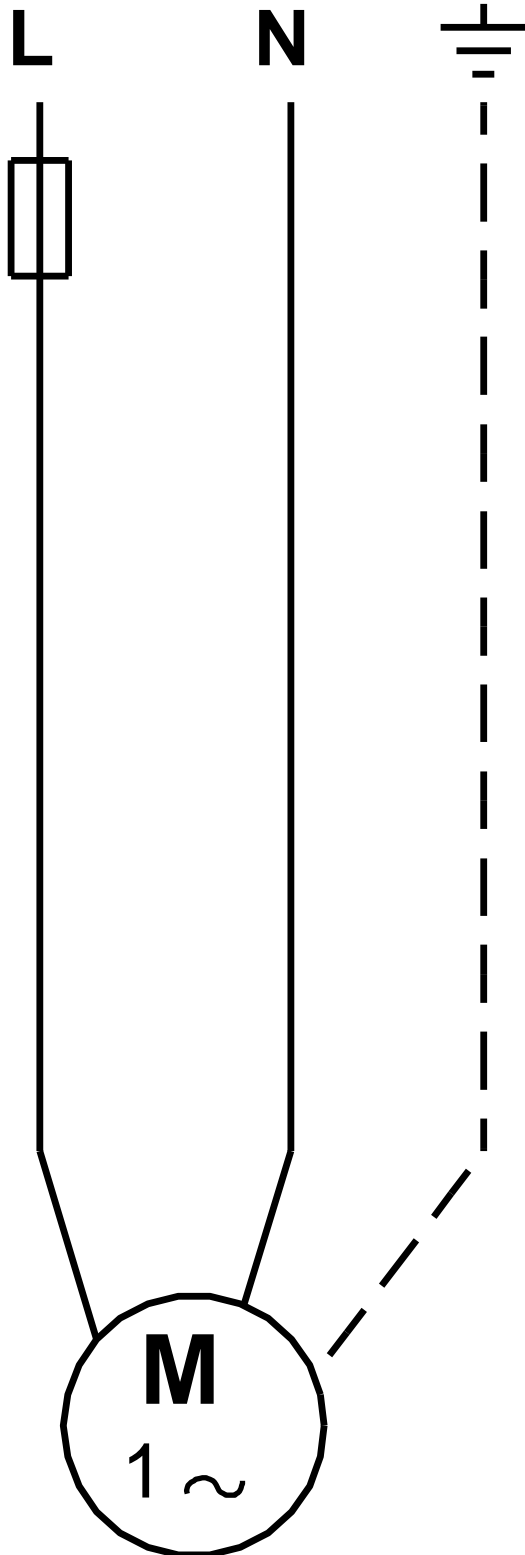
## 96081125 CR 1S-7 A-FGJ-A-V-HQQV 60 Hz



Note! All units are in [mm] unless otherwise stated.  
 Disclaimer: This simplified dimensional drawing does not show all details.



**96081125 CR 1S-7 A-FGJ-A-V-HQQV 60 Hz**



All units are [mm] unless otherwise presented.