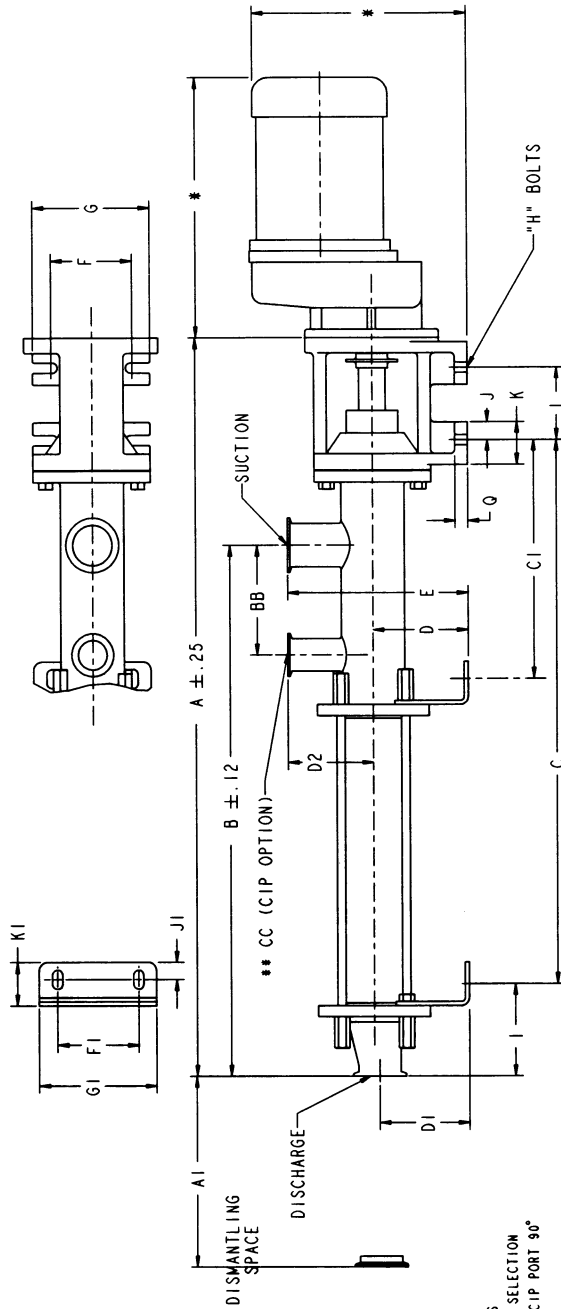


DIMENSIONS ARE INCHES
EXCEPT AS NOTED
* A, B & C MODELS. CIP PORT
90° LEFT OR RIGHT ONLY

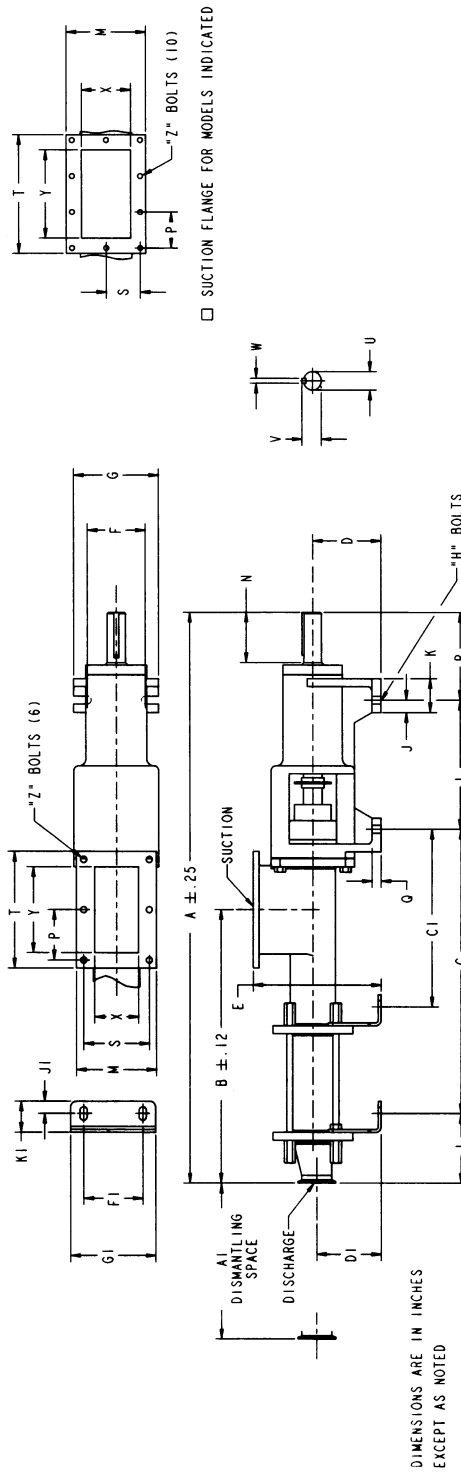
STANDARD PUMP DIMENSIONS

MODEL	A	AI	B	BB	C	CI	CC	D	DI	D2	E	F/FI	G/GI	H	I	J	K	J I	K I	L	SUCTION/ DISCHARGE	N	O	R	U	V	W
FA2A	28.88	13.19	14.54	2.51	14.40	-	Ø1.5	3.54	3.54	2.99	6.53	3.82	4.88	3.75	4.20	.79	1.97	.80	2.0	6.54	Ø1.5	1.93	.47	3.74	Ø20	22.5	6
FA4A	35.85	14.17	21.51	2.51	21.37	-	Ø1.5	3.54	3.54	2.99	6.53	3.82	4.88	3.75	4.20	.79	1.97	.80	2.0	6.54	Ø1.5	1.93	.47	3.74	Ø20	22.5	6
FA1B	26.70	13.19	12.36	2.51	11.96	-	Ø1.5	3.54	3.29	2.99	6.53	3.82	4.88	3.75	4.46	.79	1.97	.80	2.0	6.54	Ø1.5	1.93	.47	3.74	Ø20	22.5	6
FA2B	31.22	13.19	16.88	2.51	16.48	-	Ø1.5	3.54	3.29	2.99	6.53	3.82	4.88	3.75	4.46	.79	1.97	.80	2.0	6.54	Ø1.5	1.93	.47	3.74	Ø20	22.5	6
FA4B	40.28	18.30	25.94	2.51	25.54	-	Ø1.5	3.54	3.29	2.99	6.53	3.82	4.88	3.75	4.46	.79	1.97	.80	2.0	6.54	Ø1.5	1.93	.47	3.74	Ø20	22.5	6
FA1C	29.44	15.15	14.85	4.23	14.70	-	Ø1.5	3.54	3.29	3.74	7.28	3.82	4.88	3.75	4.46	.79	1.97	.80	2.0	6.54	Ø2.0	1.93	.47	3.74	Ø20	22.5	6
FA2C	34.73	15.15	20.15	4.23	19.00	-	Ø1.5	3.54	3.29	3.74	7.28	3.82	4.88	3.75	4.46	.79	1.97	.80	2.0	6.54	Ø2.0	1.93	.47	3.74	Ø20	22.5	6
FA4C	45.32	21.26	30.73	4.23	30.58	-	Ø1.5	3.54	3.29	3.74	7.28	3.82	4.88	3.75	4.46	.79	1.97	.80	2.0	6.54	Ø2.0	1.93	.47	3.74	Ø20	22.5	6
FA1D	36.56	16.93	17.45	5.06	18.20	-	Ø1.5	4.49	4.24	4.02	8.51	3.82	5.51	3.75	4.46	.79	2.17	.80	2.0	8.21	Ø2.0	3.12	.59	5.60	Ø30	33.0	8
FA2D	43.62	16.93	24.51	5.06	25.26	-	Ø1.5	4.49	4.24	4.02	8.51	3.82	5.51	3.75	4.46	.79	2.17	.80	2.0	8.21	Ø2.0	3.12	.59	5.60	Ø30	33.0	8
FA4D	57.76	28.34	38.65	5.06	39.40	11.20	Ø1.5	4.49	4.24	4.02	8.51	3.82	5.51	3.75	4.46	.79	2.17	.80	2.0	8.21	Ø2.0	3.12	.59	5.60	Ø30	33.0	8
FA1E	42.54	19.09	23.69	7.44	22.18	-	Ø1.5	4.49	3.99	4.02	8.51	3.82	5.51	3.75	4.46	.79	2.17	.80	2.0	8.21	Ø2.5	3.12	.59	5.60	Ø30	33.0	8
FA2E	51.36	19.09	32.54	7.44	31.03	-	Ø1.5	4.49	3.99	4.02	8.51	3.82	5.51	3.75	4.46	.79	2.17	.80	2.0	8.21	Ø2.5	3.12	.59	5.60	Ø30	33.0	8
FA4E	69.18	35.63	50.34	7.44	48.83	13.32	Ø1.5	4.49	3.99	4.02	8.51	3.82	5.51	3.75	4.46	.79	2.17	.80	2.0	8.21	Ø2.5	3.12	.59	5.60	Ø30	33.0	8
FA1F	52.96	24.60	29.70	12.07	29.61	-	Ø2.0	5.51	4.76	5.98	11.49	4.84	6.93	6.25	6.26	1.18	3.23	1.12	3.0	9.06	Ø3.0	4.69	.59	8.12	Ø40	43.0	12
FA2F	64.28	24.60	40.76	12.07	40.68	-	Ø2.0	5.51	4.76	5.98	11.49	4.84	6.93	6.25	6.26	1.18	3.23	1.12	3.0	9.06	Ø3.0	4.69	.59	8.12	Ø40	43.0	12
FA4F	86.28	44.49	62.01	12.07	62.93	18.56	Ø2.0	5.51	4.76	5.98	11.49	4.84	6.93	6.25	6.26	1.18	3.23	1.12	3.0	9.06	Ø3.0	4.69	.59	8.12	Ø40	43.0	12
FA1G	60.00	28.94	36.25	15.88	35.53	-	Ø2.5	5.51	4.51	5.98	11.49	4.84	6.93	6.25	7.38	1.18	3.23	1.12	3.0	9.06	Ø4.0	4.69	.59	8.12	Ø40	43.0	12
FA2G	72.82	28.94	49.06	15.88	48.34	-	Ø2.5	5.51	4.51	5.98	11.49	4.84	6.93	6.25	7.38	1.18	3.23	1.12	3.0	9.06	Ø4.0	4.69	.59	8.12	Ø40	43.0	12
FA4G	67.34	31.30	38.94	16.93	38.47	-	Ø2.5	6.30	5.30	6.50	12.8	7.20	9.13	6.25	7.46	1.18	3.23	1.12	3.0	11.46	Ø4.0	4.92	.59	10.04	Ø50	53.5	14
FA2H	81.93	31.30	53.56	16.93	53.10	-	Ø2.5	6.30	5.30	6.50	12.8	7.20	9.13	6.25	7.46	1.18	3.23	1.12	3.0	11.46	Ø4.0	4.92	.59	10.04	Ø50	53.5	14
FA1J	72.76	31.30	44.38	16.93	43.91	-	Ø2.5	6.30	5.30	6.50	12.8	7.20	9.13	6.25	7.46	1.18	3.23	1.12	3.0	11.46	Ø4.0	4.92	.59	10.04	Ø50	53.5	14
FA2J	92.58	39.96	64.18	16.93	63.72	24.15	Ø2.5	6.30	5.30	6.50	12.8	7.20	9.13	6.25	7.46	1.18	3.23	1.12	3.0	11.46	Ø4.0	4.92	.59	10.04	Ø50	53.5	14
FA1K	79.46	31.30	51.06	16.93	50.60	-	Ø2.5	6.30	5.30	6.50	12.8	7.20	9.13	6.25	7.46	1.18	3.23	1.12	3.0	11.46	Ø4.0	4.92	.59	10.04	Ø50	53.5	14
FA2K	105.96	53.15	77.56	16.93	77.09	24.15	Ø2.5	6.30	5.30	6.50	12.8	7.20	9.13	6.25	7.46	1.18	3.23	1.12	3.0	11.46	Ø4.0	4.92	.59	10.04	Ø50	53.5	14
FA1L	99.34	53.15	70.94	16.93	70.47	24.15	Ø2.5	6.30	5.30	6.50	12.8	7.20	9.13	6.25	7.46	1.18	3.23	1.12	3.0	11.46	Ø4.0	4.92	.59	10.04	Ø50	53.5	14



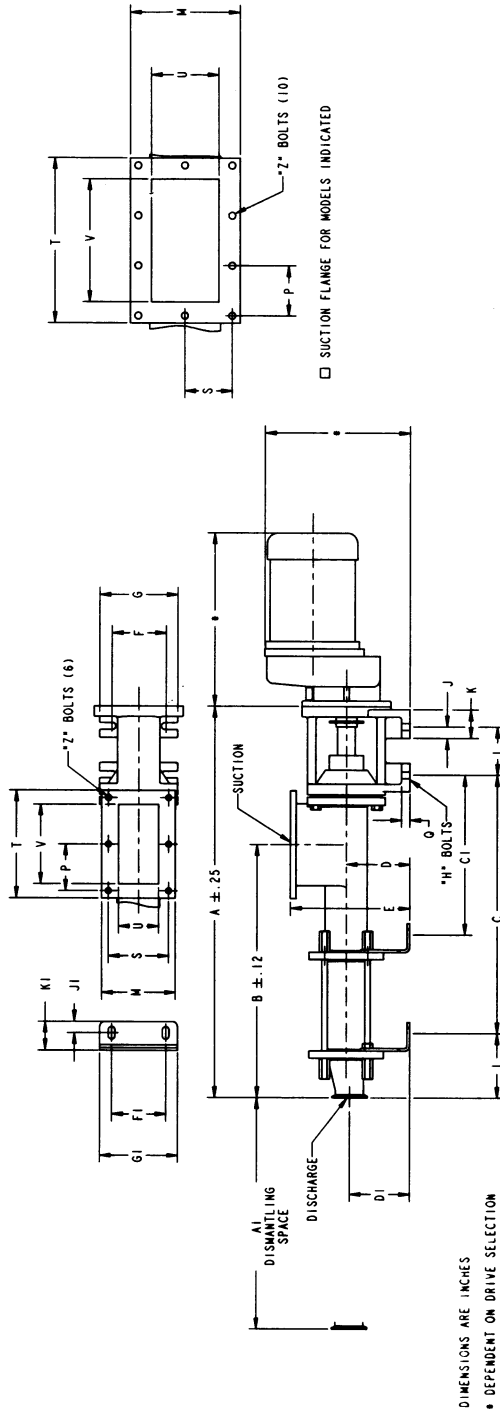
DIMENSIONS ARE INCHES
 * DEPENDENT ON DRIVE SELECTION
 ** A, B & C MODELS. CIP PORT 90°
 LEFT OR RIGHT ONLY

MODEL	A	AI	B	BB	C	CI	CC	D	DI	D2	E	F/FI	G/GI	H	I	J	K	JI	KI	L	SUCTION/ DISCHARGE	Q
FB2A	22.81	13.19	14.54	2.51	14.60	-	Ø1.5	3.54	3.54	2.99	6.53	3.82	4.88	.375	4.20	.59	1.57	.80	2.0	2.75	Ø1.5	.39
FB4A	29.78	14.17	21.51	2.51	21.57	-	Ø1.5	3.54	3.54	2.99	6.53	3.82	4.88	.375	4.20	.59	1.57	.80	2.0	2.75	Ø1.5	.39
FB1B	20.64	13.19	12.36	2.51	12.16	-	Ø1.5	3.54	3.29	2.99	6.53	3.82	4.88	.375	4.46	.59	1.57	.80	2.0	2.75	Ø1.5	.39
FB2B	25.16	13.19	16.89	2.51	16.68	-	Ø1.5	3.54	3.29	2.99	6.53	3.82	4.88	.375	4.46	.59	1.57	.80	2.0	2.75	Ø1.5	.39
FB4B	34.22	18.30	25.95	2.51	25.73	-	Ø1.5	3.54	3.29	2.99	6.53	3.82	4.88	.375	4.46	.59	1.57	.80	2.0	2.75	Ø1.5	.39
FB1C	23.37	15.15	14.85	4.23	14.89	-	Ø1.5	3.54	3.29	3.74	6.53	3.82	4.88	.375	4.46	.59	1.57	.80	2.0	2.75	Ø2.0	.39
FB2C	28.67	15.15	20.14	4.23	20.19	-	Ø1.5	3.54	3.29	3.74	6.53	3.82	4.88	.375	4.46	.59	1.57	.80	2.0	2.75	Ø2.0	.39
FB4C	39.25	21.26	30.73	4.23	30.77	-	Ø1.5	3.54	3.29	3.74	6.53	3.82	4.88	.375	4.46	.59	1.57	.80	2.0	2.75	Ø2.0	.39
FB1D	27.00	16.93	17.45	5.06	17.81	-	Ø1.5	4.49	4.24	4.02	8.51	3.82	5.51	.375	4.46	.79	1.97	.80	2.0	3.35	Ø2.0	.59
FB2D	34.06	16.93	24.51	5.06	24.87	-	Ø1.5	4.49	4.24	4.02	8.51	3.82	5.51	.375	4.46	.79	1.97	.80	2.0	3.35	Ø2.0	.59
FB4D	48.20	28.34	38.65	5.06	39.01	10.98	Ø1.5	4.49	4.24	4.02	8.51	3.82	5.51	.375	4.46	.79	1.97	.80	2.0	3.35	Ø2.5	.59
FB1E	32.98	19.09	23.69	7.44	21.79	-	Ø1.5	4.49	3.99	4.02	8.51	3.82	5.51	.375	6.46	.79	1.97	.80	2.0	3.35	Ø2.5	.59
FB2E	41.83	19.09	32.54	7.44	30.64	-	Ø1.5	4.49	3.99	4.02	8.51	3.82	5.51	.375	6.46	.79	1.97	.80	2.0	3.35	Ø2.5	.59
FB4E	59.63	35.63	50.34	7.44	48.44	13.11	Ø1.5	4.49	3.99	4.02	8.51	3.82	5.51	.375	6.46	.79	1.97	.80	2.0	3.35	Ø2.5	.59
FB1F	40.06	24.60	30.63	12.07	30.20	-	Ø2.0	5.51	4.76	5.98	11.49	4.84	6.93	.625	6.26	.94	2.56	1.12	3.0	3.94	Ø3.0	.59
FB2F	52.19	24.60	40.76	12.07	40.32	-	Ø2.0	5.51	4.76	5.98	11.49	4.84	6.93	.625	6.26	.94	2.56	1.12	3.0	3.94	Ø3.0	.59
FB4F	74.44	44.49	63.00	12.07	62.57	18.21	Ø2.0	5.51	4.76	5.98	11.49	4.84	6.93	.625	6.26	.94	2.56	1.12	3.0	3.94	Ø3.0	.59
FB1G	60.97	28.94	38.25	15.88	35.18	-	Ø2.5	5.51	4.51	5.98	11.49	4.84	6.93	.625	7.38	.94	2.56	1.12	3.0	3.94	Ø4.0	.59
FB2G	69.97	28.94	49.06	15.88	47.99	-	Ø2.5	5.51	4.51	5.98	11.49	4.84	6.93	.625	7.38	.94	2.56	1.12	3.0	3.94	Ø4.0	.59
FB1H	52.17	31.30	38.94	16.93	38.47	-	Ø2.5	6.30	5.30	6.50	12.8	7.20	9.13	.625	7.46	1.18	3.23	1.12	3.0	3.94	Ø4.0	.59
FB2H	66.79	31.30	53.56	16.93	53.10	-	Ø2.5	6.30	5.30	6.50	12.8	7.20	9.13	.625	7.46	1.18	3.23	1.12	3.0	3.94	Ø4.0	.59
FB1J	57.60	31.30	44.38	16.93	43.91	-	Ø2.5	6.30	5.30	6.50	12.8	7.20	9.13	.625	7.46	1.18	3.23	1.12	3.0	3.94	Ø4.0	.59
FB2J	77.42	39.96	64.18	16.93	63.72	24.15	Ø2.5	6.30	5.30	6.50	12.8	7.20	9.13	.625	7.46	1.18	3.23	1.12	3.0	3.94	Ø4.0	.59
FB1K	64.29	31.30	51.06	16.93	50.60	-	Ø2.5	6.30	5.30	6.50	12.8	7.20	9.13	.625	7.46	1.18	3.23	1.12	3.0	3.94	Ø4.0	.59
FB2K	90.79	53.15	77.56	16.93	77.10	24.15	Ø2.5	6.30	5.30	6.50	12.8	7.20	9.13	.625	7.46	1.18	3.23	1.12	3.0	3.94	Ø4.0	.59
FB1L	84.17	53.15	70.94	16.93	70.47	24.15	Ø2.5	6.30	5.30	6.50	12.8	7.20	9.13	.625	7.46	1.18	3.23	1.12	3.0	3.94	Ø4.0	.59



STANDARD PUMP DIMENSIONS

MODEL	MILLIMETERS																														
	A	AI	B	C	CI	D	DI	E	F/FI	G/GI	H	I	J	K	J1	KI	L	M	DISCHARGE	N	P	Q	R	S	T	U	V	W	X	Y	Z
FC2A	28.88	13.19	14.68	14.40	-	3.54	3.54	6.53	3.82	4.88	3.75	4.20	.79	1.97	.80	2.0	6.54	4.25	Ø1.5	1.93	2.44	.47	3.74	3.62	5.67	Ø20	22.5	6	2.37	4.02	.250
FC4A	35.85	14.17	21.65	21.65	-	3.54	3.54	6.53	3.82	4.88	3.75	4.20	.79	1.97	.80	2.0	6.54	4.25	Ø1.5	1.93	2.44	.47	3.74	3.62	5.67	Ø20	22.5	6	2.37	4.02	.250
FC1B	26.70	13.19	12.51	11.96	-	3.54	3.29	6.53	3.82	4.88	3.75	4.46	.79	1.97	.80	2.0	6.54	4.25	Ø1.5	1.93	2.44	.47	3.74	3.62	5.67	Ø20	22.5	6	2.37	4.02	.250
FC2B	31.22	13.19	17.03	16.48	-	3.54	3.29	6.53	3.82	4.88	3.75	4.46	.79	1.97	.80	2.0	6.54	4.25	Ø1.5	1.93	2.44	.47	3.74	3.62	5.67	Ø20	22.5	6	2.37	4.02	.250
FC4B	40.28	18.30	26.09	25.54	-	3.54	3.29	6.53	3.82	4.88	3.75	4.46	.79	1.97	.80	2.0	6.54	4.25	Ø1.5	1.93	2.44	.47	3.74	3.62	5.67	Ø20	22.5	6	2.37	4.02	.250
FC1C	29.44	15.15	14.88	14.69	-	3.54	3.29	6.53	3.82	4.88	3.75	4.46	.79	1.97	.80	2.0	6.54	4.25	Ø2.0	1.93	2.80	.47	3.74	3.62	6.38	Ø20	22.5	6	2.37	4.72	.250
FC2C	34.74	15.15	20.18	19.99	-	3.54	3.29	6.53	3.82	4.88	3.75	4.46	.79	1.97	.80	2.0	6.54	4.25	Ø2.0	1.93	2.80	.47	3.74	3.62	6.38	Ø20	22.5	6	2.37	4.72	.250
FC4C	45.32	21.26	30.76	30.58	-	3.54	3.29	6.53	3.82	4.88	3.75	4.46	.79	1.97	.80	2.0	6.54	4.25	Ø2.0	1.93	2.80	.47	3.74	3.62	6.38	Ø20	22.5	6	2.37	4.72	.250
FC1D	36.56	16.93	17.60	18.20	-	4.49	4.24	8.51	3.82	5.51	3.75	4.46	.79	2.17	.80	2.0	8.27	5.20	Ø2.0	3.12	3.23	.59	5.60	4.25	7.48	Ø30	33.0	8	2.83	5.51	.312
FC2D	43.62	16.93	24.66	25.26	-	4.49	4.24	8.51	3.82	5.51	3.75	4.46	.79	2.17	.80	2.0	8.27	5.20	Ø2.0	3.12	3.23	.59	5.60	4.25	7.48	Ø30	33.0	8	2.83	5.51	.312
FC4D	57.76	28.34	38.81	39.40	11.37	4.49	4.24	8.51	3.82	5.51	3.75	4.46	.79	2.17	.80	2.0	8.27	5.20	Ø2.0	3.12	3.23	.59	5.60	4.25	7.48	Ø30	33.0	8	2.83	5.51	.312
FC1E	42.54	19.09	21.50	22.18	-	4.49	3.99	8.51	3.82	5.51	3.75	4.46	.79	2.17	.80	2.0	8.27	5.67	Ø2.5	3.12	3.31	.59	5.60	4.72	7.64	Ø30	33.0	8	3.33	5.67	.312
FC2E	51.38	19.09	30.34	31.03	-	4.49	3.99	8.51	3.82	5.51	3.75	4.46	.79	2.17	.80	2.0	8.27	5.67	Ø2.5	3.12	3.31	.59	5.60	4.72	7.64	Ø30	33.0	8	3.33	5.67	.312
FC4E	69.18	35.63	46.14	46.93	13.50	4.49	3.99	8.51	3.82	5.51	3.75	4.46	.79	2.17	.80	2.0	8.27	5.67	Ø2.5	3.12	3.31	.59	5.60	4.72	7.64	Ø30	33.0	8	3.33	5.67	.312
FC1F	52.86	24.60	26.34	29.61	-	5.51	4.76	11.49	4.84	6.93	6.25	6.26	1.18	3.23	1.12	3.0	9.06	7.72	Ø3.0	4.69	3.46	.59	8.12	3.31	11.42	Ø40	43.0	12	4.76	8.50	.315
FC2F	64.20	24.60	37.40	40.68	-	5.51	4.76	11.49	4.84	6.93	6.25	6.26	1.18	3.23	1.12	3.0	9.06	7.72	Ø3.0	4.69	3.46	.59	8.12	3.31	11.42	Ø40	43.0	12	4.76	8.50	.315
FC4F	86.28	44.49	59.65	62.93	18.56	5.51	4.76	11.49	4.84	6.93	6.25	6.26	1.18	3.23	1.12	3.0	9.06	7.72	Ø3.0	4.69	3.46	.59	8.12	3.31	11.42	Ø40	43.0	12	4.76	8.50	.315
FC1G	60.00	28.94	32.12	35.53	-	5.51	4.51	11.49	4.84	6.93	6.25	7.38	1.18	3.23	1.12	3.0	9.06	8.66	Ø4.0	4.69	4.25	.59	8.12	3.78	13.78	Ø40	43.0	12	5.76	10.87	.375
FC2G	72.82	28.94	44.93	48.34	-	5.51	4.51	11.49	4.84	6.93	6.25	7.38	1.18	3.23	1.12	3.0	9.06	8.66	Ø4.0	4.69	4.25	.59	8.12	3.78	13.78	Ø40	43.0	12	5.76	10.87	.375
FC4G	95.37	39.96	40.22	46.50	-	6.30	5.30	12.8	7.20	9.13	6.25	7.46	1.18	3.23	1.12	3.0	11.46	9.53	Ø4.0	4.92	5.35	.59	10.04	4.17	17.24	Ø50	53.5	14	6.41	14.17	.500
FC1H	90.00	39.96	54.84	61.13	-	6.30	5.30	12.8	7.20	9.13	6.25	7.46	1.18	3.23	1.12	3.0	11.46	9.53	Ø4.0	4.92	5.35	.59	10.04	4.17	17.24	Ø50	53.5	14	6.41	14.17	.500
FC2H	100.62	39.96	65.45	71.94	-	6.30	5.30	12.8	7.20	9.13	6.25	7.46	1.18	3.23	1.12	3.0	11.46	9.53	Ø4.0	4.92	5.35	.59	10.04	4.17	17.24	Ø50	53.5	14	6.41	14.17	.500
FC1K	87.50	39.96	52.34	58.63	-	6.30	5.30	12.8	7.20	9.13	6.25	7.46	1.18	3.23	1.12	3.0	11.46	9.53	Ø4.0	4.92	5.35	.59	10.04	4.17	17.24	Ø50	53.5	14	6.41	14.17	.500
FC2K	113.99	53.15	76.84	85.12	32.19	6.30	5.30	12.8	7.20	9.13	6.25	7.46	1.18	3.23	1.12	3.0	11.46	9.53	Ø4.0	4.92	5.35	.59	10.04	4.17	17.24	Ø50	53.5	14	6.41	14.17	.500
FC1L	107.37	53.15	72.22	78.50	32.19	6.30	5.30	12.8	7.20	9.13	6.25	7.46	1.18	3.23	1.12	3.0	11.46	9.53	Ø4.0	4.92	5.35	.59	10.04	4.17	17.24	Ø50	53.5	14	6.41	14.17	.500



STANDARD PUMP DIMENSIONS

MODEL	A	AI	B	C	CI	D	DI	E	F/FI	G/GI	H	I	J	K	Jl	KI	L	M	DISCHARGE	P	Q	S	T	U	V	Z
FBC2A	22.81	13.19	14.68	14.59	-	3.54	3.54	6.85	3.82	4.88	.375	4.20	.59	1.57	.80	2.0	2.75	4.25	Ø1.5	2.44	.39	3.62	5.67	2.37	4.02	.250
FBC4A	29.78	14.17	21.65	21.56	-	3.54	3.54	6.85	3.82	4.88	.375	4.20	.59	1.57	.80	2.0	2.75	4.25	Ø1.5	2.44	.39	3.62	5.67	2.37	4.02	.250
FBC1B	20.63	13.19	12.50	12.15	-	3.54	3.29	6.85	3.82	4.88	.375	4.46	.59	1.57	.80	2.0	2.75	4.25	Ø1.5	2.44	.39	3.62	5.67	2.37	4.02	.250
FBC2B	25.15	13.19	17.02	16.67	-	3.54	3.29	6.85	3.82	4.88	.375	4.46	.59	1.57	.80	2.0	2.75	4.25	Ø1.5	2.44	.39	3.62	5.67	2.37	4.02	.250
FBC4B	34.21	18.30	26.08	25.73	-	3.54	3.29	6.85	3.82	4.88	.375	4.46	.59	1.57	.80	2.0	2.75	4.25	Ø1.5	2.44	.39	3.62	5.67	2.37	4.02	.250
FBC1C	23.37	15.15	14.89	14.89	-	3.54	3.29	6.85	3.82	4.88	.375	4.46	.59	1.57	.80	2.0	2.75	6.38	Ø2.0	2.80	.39	3.62	6.38	2.37	4.72	.250
FBC2C	28.66	15.15	20.18	20.18	-	3.54	3.29	6.85	3.82	4.88	.375	4.46	.59	1.57	.80	2.0	2.75	6.38	Ø2.0	2.80	.39	3.62	6.38	2.37	4.72	.250
FBC4C	39.25	21.26	30.77	30.77	-	3.54	3.29	6.85	3.82	4.88	.375	4.46	.59	1.57	.80	2.0	2.75	6.38	Ø2.0	2.80	.39	3.62	6.38	2.37	4.72	.250
FBC1D	27.03	16.93	17.60	17.89	-	4.49	4.24	8.43	3.82	5.51	.375	4.46	.79	1.97	.80	2.0	3.35	5.20	Ø2.0	3.23	.59	4.25	7.48	2.83	5.51	.315
FBC2D	34.10	16.93	24.67	24.96	-	4.49	4.24	8.43	3.82	5.51	.375	4.46	.79	1.97	.80	2.0	3.35	5.20	Ø2.0	3.23	.59	4.25	7.48	2.83	5.51	.315
FBC4D	48.24	28.34	38.81	39.10	10.82	4.49	4.24	8.43	3.82	5.51	.375	4.46	.79	1.97	.80	2.0	3.35	5.67	Ø2.5	3.31	.59	4.72	7.48	3.33	5.67	.315
FBC2E	41.78	19.09	30.27	30.64	-	4.49	3.99	8.43	3.82	5.51	.375	6.46	.79	1.97	.80	2.0	3.35	5.67	Ø2.5	3.31	.59	4.72	7.48	3.33	5.67	.315
FBC4E	59.58	35.63	48.07	48.44	12.88	4.49	3.99	8.43	3.82	5.51	.375	6.46	.79	1.97	.80	2.0	3.35	5.67	Ø2.5	3.31	.59	4.72	7.48	3.33	5.67	.315
□ FBC1F	40.98	24.60	26.20	29.01	-	5.51	4.76	10.63	4.84	6.93	.625	6.26	.94	2.56	1.12	3.0	3.94	7.12	Ø3.0	3.46	.59	3.31	11.42	4.76	8.50	.375
□ FBC2F	52.04	24.60	37.26	40.08	-	5.51	4.76	10.63	4.84	6.93	.625	6.26	.94	2.56	1.12	3.0	3.94	7.12	Ø3.0	3.46	.59	3.31	11.42	4.76	8.50	.375
□ FBC4F	74.31	44.49	59.52	62.28	17.76	5.51	4.76	10.63	4.84	6.93	.625	6.26	.94	2.56	1.12	3.0	3.94	7.12	Ø3.0	3.46	.59	3.31	11.42	4.76	8.50	.375
□ FBC1G	48.17	28.94	32.13	35.07	-	5.51	4.51	11.02	4.84	6.93	.625	7.38	1.18	3.23	1.12	3.0	3.94	8.66	Ø4.0	4.25	.59	3.78	13.78	5.76	10.87	.375
□ FBC2G	60.97	28.94	44.93	47.88	-	5.51	4.51	11.02	4.84	6.93	.625	7.38	1.18	3.23	1.12	3.0	3.94	8.66	Ø4.0	4.25	.59	3.78	13.78	5.76	10.87	.375
□ FBC1H	60.16	39.96	40.22	46.36	-	6.30	5.30	12.80	7.20	9.13	.625	7.46	1.18	3.23	1.12	3.0	3.94	9.53	Ø4.0	5.35	.59	4.17	17.24	6.41	14.17	.500
□ FBC2H	74.66	39.96	54.84	60.86	-	6.30	5.30	12.80	7.20	9.13	.625	7.46	1.18	3.23	1.12	3.0	3.94	9.53	Ø4.0	5.35	.59	4.17	17.24	6.41	14.17	.500
□ FBC1J	65.30	39.96	45.67	51.80	-	6.30	5.30	12.80	7.20	9.13	.625	7.46	1.18	3.23	1.12	3.0	3.94	9.53	Ø4.0	5.35	.59	4.17	17.24	6.41	14.17	.500
□ FBC2J	85.42	39.96	65.48	71.61	32.19	6.30	5.30	12.80	7.20	9.13	.625	7.46	1.18	3.23	1.12	3.0	3.94	9.53	Ø4.0	5.35	.59	4.17	17.24	6.41	14.17	.500
□ FBC1K	72.29	39.96	52.36	58.49	-	6.30	5.30	12.80	7.20	9.13	.625	7.46	1.18	3.23	1.12	3.0	3.94	9.53	Ø4.0	5.35	.59	4.17	17.24	6.41	14.17	.500
□ FBC2K	98.79	53.15	78.85	84.99	32.19	6.30	5.30	12.80	7.20	9.13	.625	7.46	1.18	3.23	1.12	3.0	3.94	9.53	Ø4.0	5.35	.59	4.17	17.24	6.41	14.17	.500
□ FBC1L	92.90	53.15	72.22	78.50	32.19	6.30	5.30	12.80	7.20	9.13	.625	7.46	1.18	3.23	1.12	3.0	3.94	9.53	Ø4.0	5.35	.59	4.17	17.24	6.41	14.17	.500