

# MSB Series Multi-Bag Filter Housings



## Product Introduction

Filtrafine MSB series stainless steel multi-bags filter housing provides high-volume solutions for high flow applications. The MSB series housing is available to accommodate 2 to 12 bags and size 1 or size 2 length filter bags. The MSB series is designed with a proven swing eye bolt closure mechanism to ensure sealing. It provides user friendly davit arm assisted, spring assisted cover or hydraulic assisted cover lifting mechanism to eliminate the tool needs while filter bag change-out. MSB series filter housing is constructed of 304, 316 or 316L stainless steel material which gives excellent resistance of corrosion for product purity.

- Manufactured under a certified ISO 9001 quality system
- ASME Code UU/M stamp (optional)

## Product Specifications

### Materials of Construction

- Shell: 304, 316 or 316L Stainless Steel
- Legs/swing Eye Bolts: 304 Stainless Steel
- O-rings: EPDM (standard)  
Silicone, Teflon Encapsulated Viton,  
Viton (optional)

### Dimensions

- Inlet/Outlet: 3", 4", 5", 6", 8", 10", 12"
- Connection Types: ANSI, JIS, and DIN Flange  
NPT, BSP and PT Thread
- Vent : 1" NPT
- Drain : 1" NPT
- Gauge: 1/4" NPT

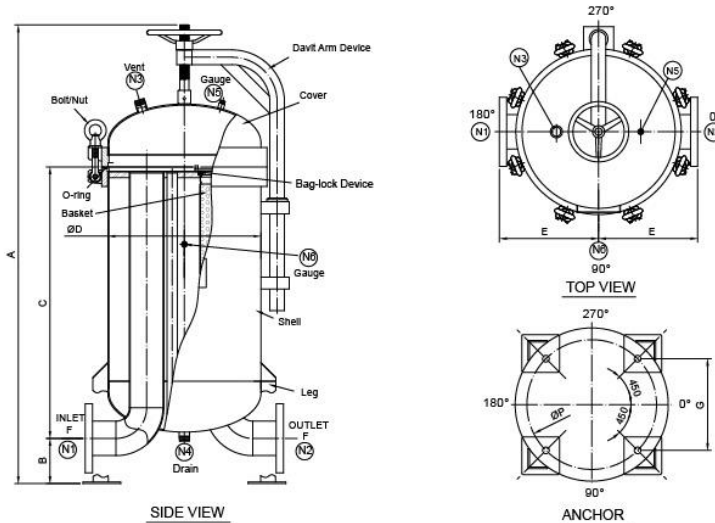
## Performance Specifications

### Maximum Operating Pressure

150 psig (10.3 bar) @ 77°F (25°C) in liquid service



Model	Max. Liquid Flow Rate gpm(m <sup>3</sup> /hr)	Dimension Inch (mm)							
		A	B	C	ØD	E	F	G	ØP
2MSB1	175(40)	41.7"(1061)	5.1"(130)	19.8"(505)	18"(456)	11.9"(303)	3"	11.5"(293)	16.3"(415)
3MSB1	260(60)	46.1"(1171)	5.9"(150)	21.6"(550)	20"(508)	12.9"(329)	4"	12"(304)	16.9"(430)
4MSB1	350(80)	46.8"(1191)	5.9"(150)	21.7"(553)	22"(558)	13.9"(354)	4"	13.4"(340)	18.9"(481)
5MSB1	440(100)	54.3"(1381)	6.8"(175)	27.5"(700)	24"(608)	15.9"(404)	6"	14.8"(376)	20.9"(531)
6MSB1	525(120)	51.5"(1309)	6.8"(175)	24"(610)	26"(658)	16.8"(429)	6"	16.2"(411)	22.9"(581)
8MSB1	700(160)	57.8"(1470)	8.2"(210)	26.8"(683)	32"(810)	19.8"(505)	8"	20.9"(530)	29.5"(750)
10MSB1	880(200)	66"(1677)	9.8"(250)	29.3"(745)	36"(912)	22.6"(576)	10"	22.6"(575)	32"(813)
12MSB1	1050(240)	69.4"(1765)	11.2"(285)	30.7"(780)	38"(962)	26"(661)	12"	24.1"(611)	34"(864)
2MSB2	350(80)	57.4"(1458)	5.1"(130)	34.8"(885)	18"(456)	11.9"(303)	3"	11.5"(293)	16.3"(415)
3MSB2	525(120)	59.8"(1521)	5.9"(150)	35.4"(900)	20"(508)	12.9"(329)	4"	12"(304)	16.9"(430)
4MSB2	705(160)	60.7"(1542)	5.9"(150)	35.5"(903)	22"(558)	13.9"(354)	4"	13.4"(340)	18.9"(481)
5MSB2	880(200)	68.1"(1731)	6.8"(175)	41.3"(1050)	24"(608)	15.9"(404)	6"	14.8"(376)	20.9"(531)
6MSB2	1055(240)	65.3"(1659)	6.8"(175)	37.8"(960)	26"(658)	16.8"(429)	6"	16.2"(411)	22.9"(581)
8MSB2	1405(320)	71.6"(1820)	8.2"(210)	40.6"(1033)	32"(810)	19.8"(505)	8"	20.9"(530)	29.5"(750)
10MSB2	1760(400)	79.8"(2027)	9.8"(250)	43.1"(1095)	36"(912)	22.6"(576)	10"	22.6"(575)	32"(813)
12MSB2	2110(480)	83.2"(2115)	11.2"(285)	44.4"(1130)	38"(962)	26"(661)	12"	24.1"(611)	34"(864)



## Ordering Information

Number of Element	Product Name	Bag Size	Material of Construction	Inlet/Outlet Connection Size	Connection Type	Lid Lifting	Flange Type	Code	Pressure Rating (psig)	Option	ASME Stamp
3, 4, 5, 6, 8, 10, 12	MSB	1=01 2=02	304=304SS 316=316SS 316L=316LSS	3"~12"	F=Flange	S=Spring Assisted D=Davit Arm Assisted H=Hydraulic Assisted	A=ANSI J=JIS D=DIN	NC=None Code C=ASME Code	150	Blank=None P=Mechanical polished	Blank=None U=U Stamp UM=UM Stamp