

PROJECT: _____	UNIT TAG: _____	QUANTITY: _____
REPRESENTATIVE: _____	TYPE OF SERVICE: _____	DATE: _____
ENGINEER: _____	SUBMITTED BY: _____	DATE: _____
CONTRACTOR: _____	APPROVED BY: _____	DATE: _____
	ORDER NO.: _____	DATE: _____

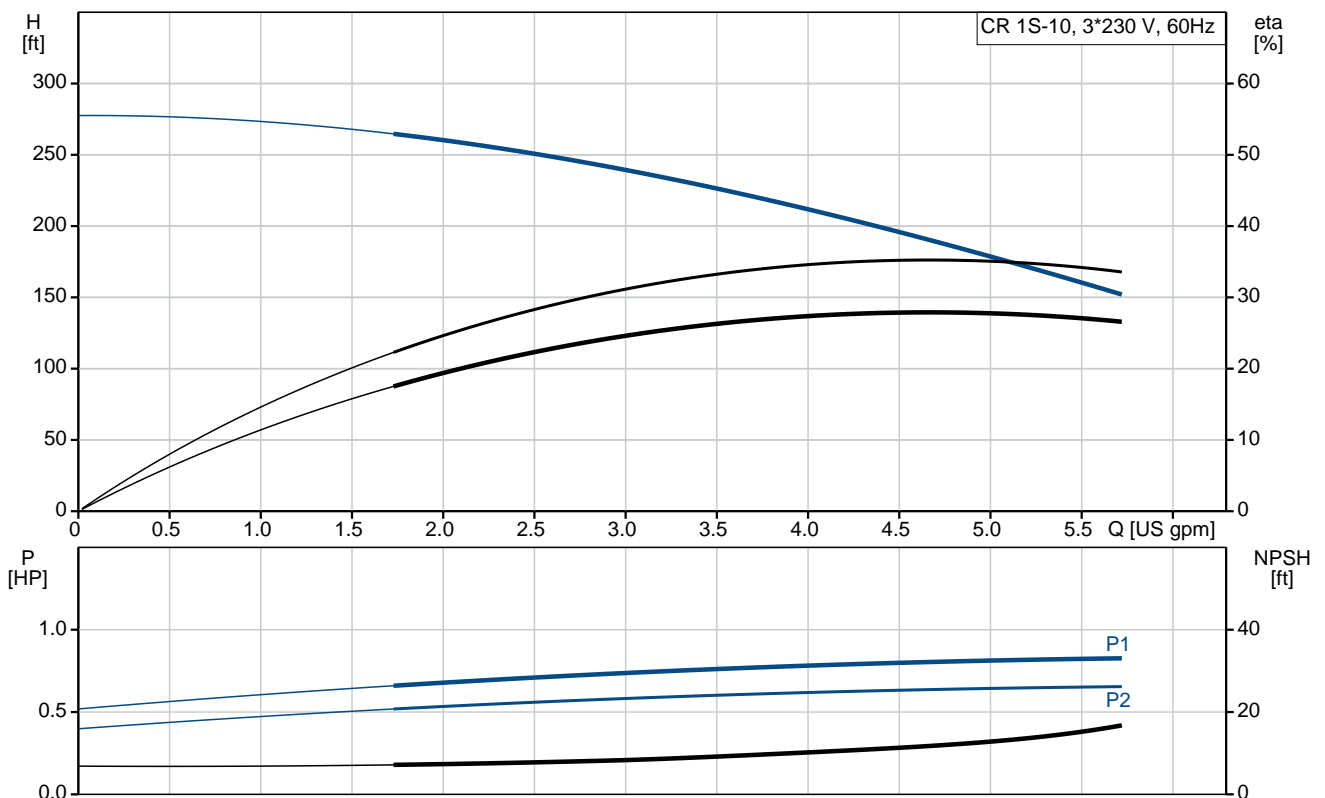
CR 1S-10 A-FGJ-A-V-HQQV

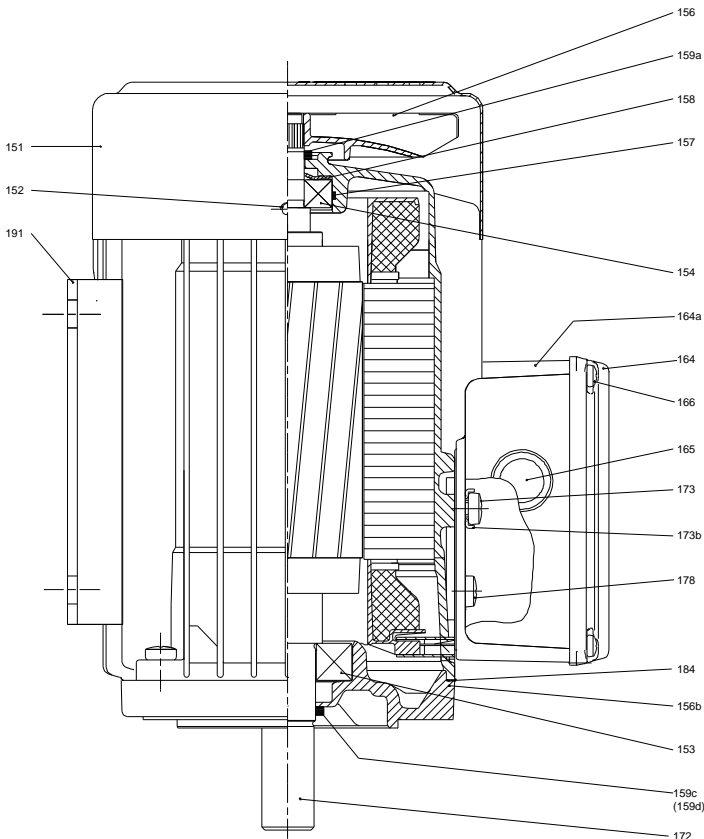
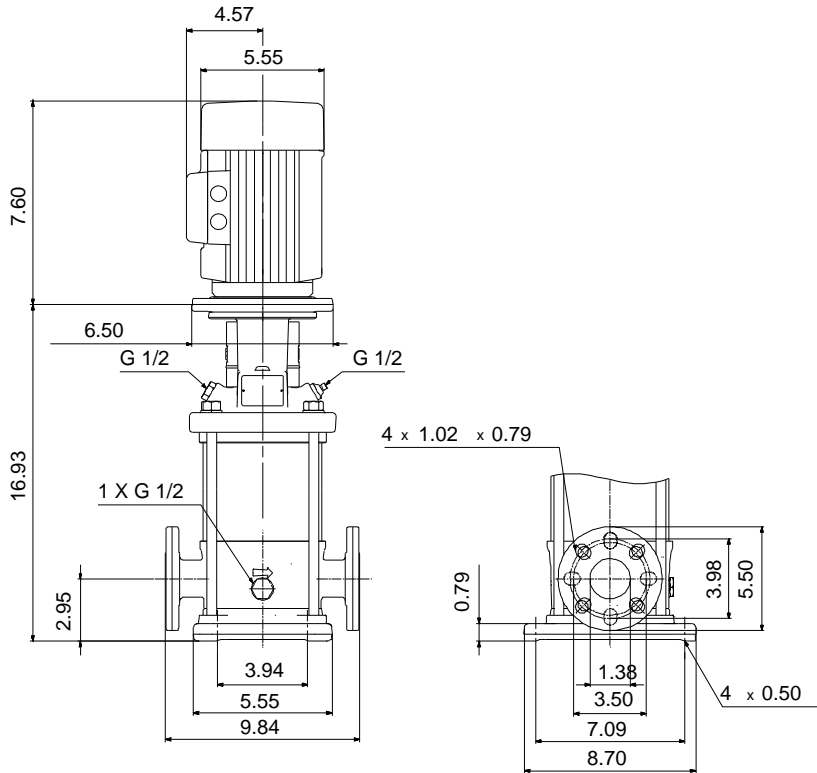


Vertical, multistage centrifugal pump with suction and discharge ports on the same level. The pump head and base are in cast iron. All other wetted parts are in stainless steel (EN 1.4301)(AISI 304)

Product photo could vary from the actual product


Conditions of Service	Pump Data	Motor Data
Flow: _____	Max pressure at stated temperature: 363 psi / 194 °F	Rated power - P2: 0.75 HP
Head: _____	Liquid temperature range: -4 .. 194 °F	Rated voltage: 208-230YY/460Y V
Efficiency: _____	Maximum ambient temperature: 104 °F	Main frequency: 60 Hz
Liquid: Water	Approvals: CURUS	Enclosure class: 55 Dust/Jetting
Temperature: 68 °F	Shaft seal: HQQV	Insulation class: F
NPSH required: ft	Product number: 96081132	Motor protection: NONE
Viscosity: _____		Motor type: 71BA
Specific Gravity: 1.000		Motor_efficiency: 79.0-80.0 %





Materials:

- Base: Cast iron
EN 1561 EN-GJL-200
ASTM A48-25B
- Impeller: Stainless steel
AISI 304
EN 1.4301
- Material code: A
Code for rubber: V

Count	Description
1	<p data-bbox="225 338 550 367">CR 1S-10 A-FGJ-A-V-HQQV</p>  <p data-bbox="225 660 494 689">Product No.: 96081132</p> <p data-bbox="225 689 750 779">Vertical, non-self-priming, multistage, in-line, centrifugal pump for installation in pipe systems and mounting on a foundation.</p> <p data-bbox="225 808 702 837">The pump has the following characteristics:</p> <ul data-bbox="263 837 853 958" style="list-style-type: none"> - Impellers and intermediate chambers are made of - The shaft seal has assembly length according to EN 12756. - Power transmission is via cast iron split coupling. <p data-bbox="225 1014 601 1043">The motor is a 3-phase AC motor.</p> <p data-bbox="225 1075 327 1104">Controls:</p> <p data-bbox="225 1104 662 1133">Frequency converter: NONE</p> <p data-bbox="225 1164 311 1193">Liquid:</p> <p data-bbox="225 1193 662 1223">Pumped liquid: Water</p> <p data-bbox="225 1223 715 1252">Liquid temperature range: -4 .. 194 °F</p> <p data-bbox="225 1252 710 1281">Liquid temperature during operation: 68 °F</p> <p data-bbox="225 1281 710 1310">Density: 62.29 lb/ft³</p> <p data-bbox="225 1341 351 1370">Technical:</p> <p data-bbox="225 1370 699 1400">Rated pump speed: 3439 rpm</p> <p data-bbox="225 1400 737 1429">Rated flow: 4.84 US gpm</p> <p data-bbox="225 1429 678 1458">Rated head: 184.1 ft</p> <p data-bbox="225 1458 678 1487">Pump orientation: Vertical</p> <p data-bbox="225 1487 662 1516">Shaft seal arrangement: Single</p> <p data-bbox="225 1516 662 1545">Code for shaft seal: HQQV</p> <p data-bbox="225 1545 678 1574">Approvals on nameplate: CURUS</p> <p data-bbox="225 1574 790 1603">Curve tolerance: ISO9906:2012 3B</p> <p data-bbox="225 1635 343 1664">Materials:</p> <p data-bbox="225 1664 837 1753">Base: Cast iron EN 1561 EN-GJL-200 ASTM A48-25B</p> <p data-bbox="225 1753 758 1843">Impeller: Stainless steel EN 1.4301 AISI 304</p> <p data-bbox="225 1843 630 1872">Bearing: SIC</p> <p data-bbox="225 1904 367 1933">Installation:</p> <p data-bbox="225 1933 662 1962">Maximum ambient temperature: 104 °F</p> <p data-bbox="225 1962 678 1991">Maximum operating pressure: 363 psi</p> <p data-bbox="225 1991 829 2051">Max pressure at stated temperature: 363 psi / 194 °F 363 psi / -4 °F</p> <p data-bbox="225 2051 774 2080">Type of connection: DIN / ANSI / JIS</p>



Company name:

Created by:

Phone:

Date:

2/25/2019

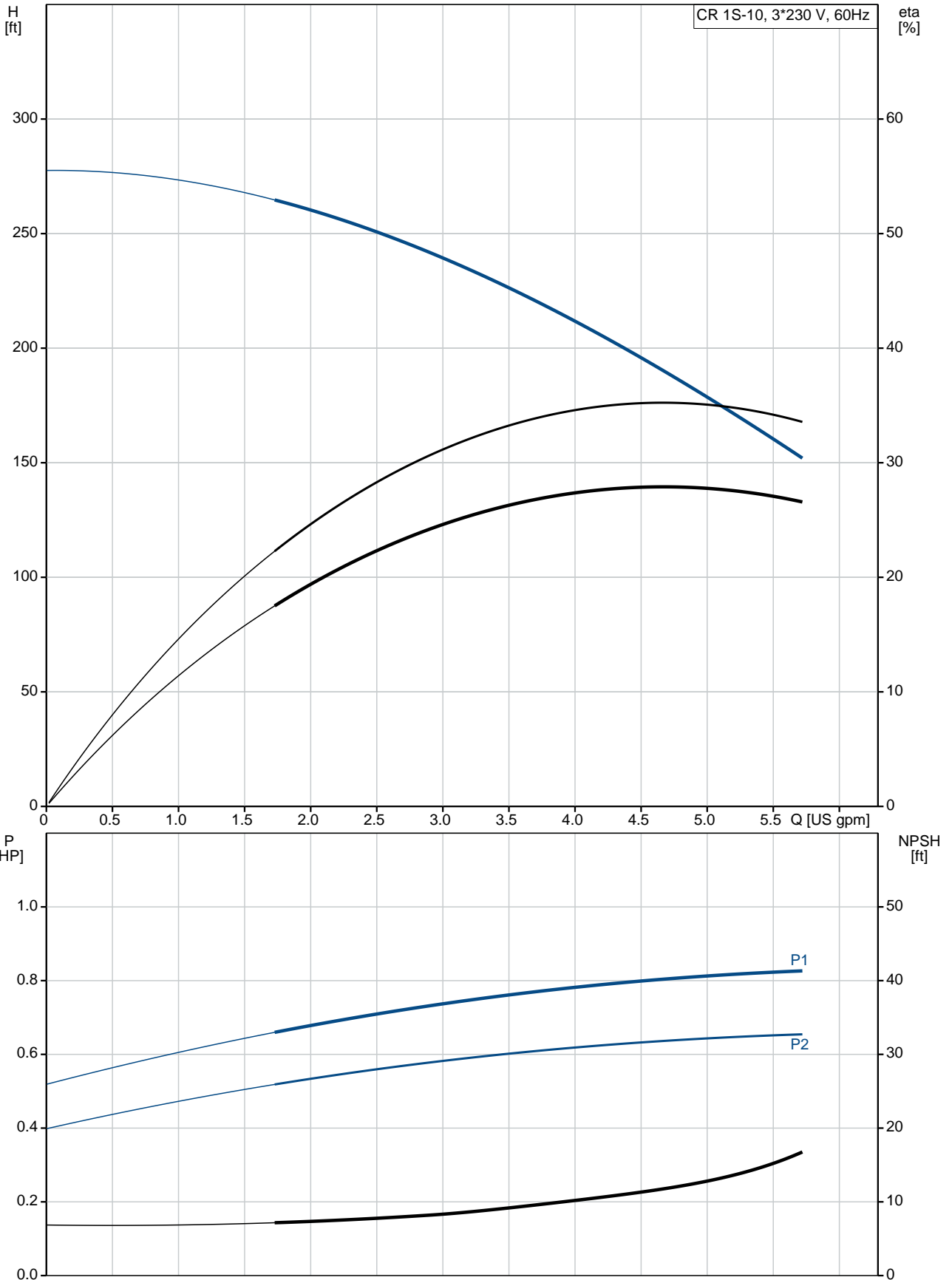
Count	Description
	Size of inlet connection: DN 25/32
	Size of suction port: 1 1/4 inch
	Size of outlet connection: DN 25/32
	Size of outlet port: 1 1/4 inch
	Pressure rating for pipe connection: PN 25
	Flange rating inlet: 250 lb
	Flange size for motor: 56C
	Electrical data:
	Motor standard: NEMA
	Motor type: 71BA
	Rated power - P2: 0.75 HP
	Power (P2) required by pump: 0.75 HP
	Main frequency: 60 Hz
	Rated voltage: 3 x 208-230YY/460Y V
	Service factor: 1.25
	Rated current: 2,40-2,30/1,20 A
	Starting current: 590-650 %
	Cos phi - power factor: 0.84-0.78
	Rated speed: 3430-3460 rpm
	Motor efficiency at full load: 79.0-80.0 %
	Number of poles: 2
	Enclosure class (IEC 34-5): 55 Dust/Jetting
	Insulation class (IEC 85): F
	Others:
	Net weight: 63.2 lb
	Gross weight: 74.2 lb
	Shipping volume: 4.94 ft ³
	Country of origin: US
	Custom tariff no.: 8413.70.2040



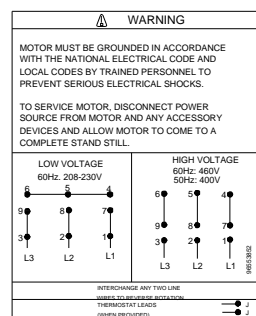
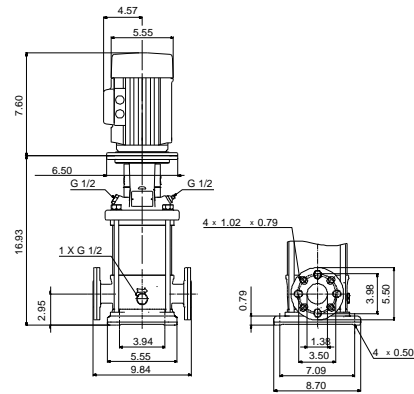
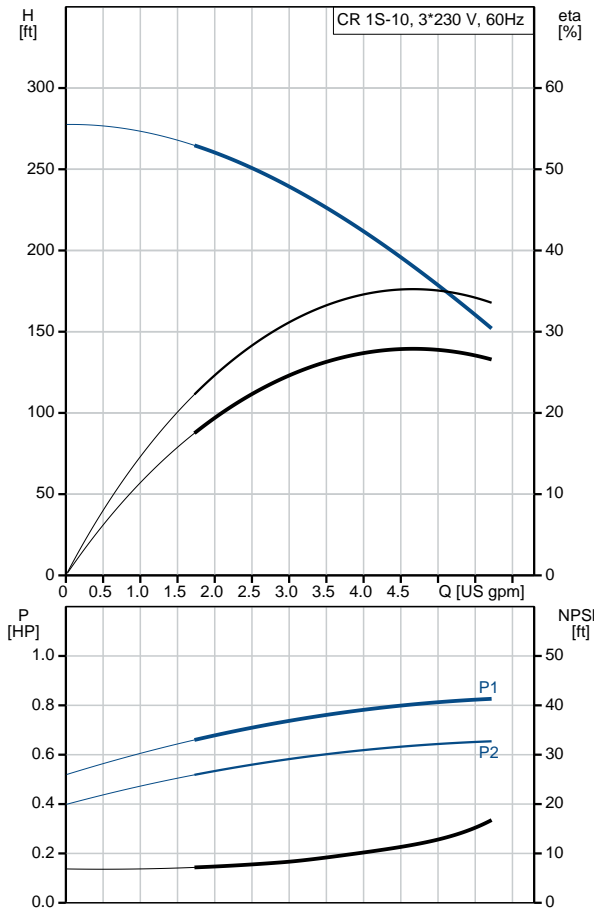
Company name:
Created by:
Phone:

Date: 2/25/2019

96081132 CR 1S-10 A-FGJ-A-V-HQQV 60 Hz



Description	Value
General information:	
Product name:	CR 1S-10 A-FGJ-A-V-HQQV
Product No.:	96081132
EAN:	5700395155969
Technical:	
Rated pump speed:	3439 rpm
Rated flow:	4.84 US gpm
Rated head:	184.1 ft
Head max:	276.9 ft
Stages:	10
Impellers:	10
Number of reduced-diameter impellers:	0
Low NPSH:	N
Pump orientation:	Vertical
Shaft seal arrangement:	Single
Code for shaft seal:	HQQV
Approvals on nameplate:	CURUS
Curve tolerance:	ISO9906:2012 3B
Pump version:	A
Model:	A
Cooling:	TEFC
Materials:	
Base:	Cast iron EN 1561 EN-GJL-200 ASTM A48-25B
Impeller:	Stainless steel EN 1.4301 AISI 304
Material code:	A
Code for rubber:	V
Bearing:	SIC
Installation:	
Maximum ambient temperature:	104 °F
Maximum operating pressure:	363 psi
Max pressure at stated temperature:	363 psi / 194 °F 363 psi / -4 °F
Type of connection:	DIN / ANSI / JIS
Size of inlet connection:	DN 25/32
Size of suction port:	1 1/4 inch
Size of outlet connection:	DN 25/32
Size of outlet port:	1 1/4 inch
Pressure rating for pipe connection:	PN 25
Flange rating inlet:	250 lb
Flange size for motor:	56C
Connect code:	FGJ
Liquid:	
Pumped liquid:	Water
Liquid temperature range:	-4 .. 194 °F
Liquid temperature during operation:	68 °F
Density:	62.29 lb/ft ³
Electrical data:	
Motor standard:	NEMA
Motor type:	71BA
Rated power - P2:	0.75 HP
Power (P2) required by pump:	0.75 HP
Main frequency:	60 Hz
Rated voltage:	3 x 208-230YY/460Y V





Company name:

Created by:

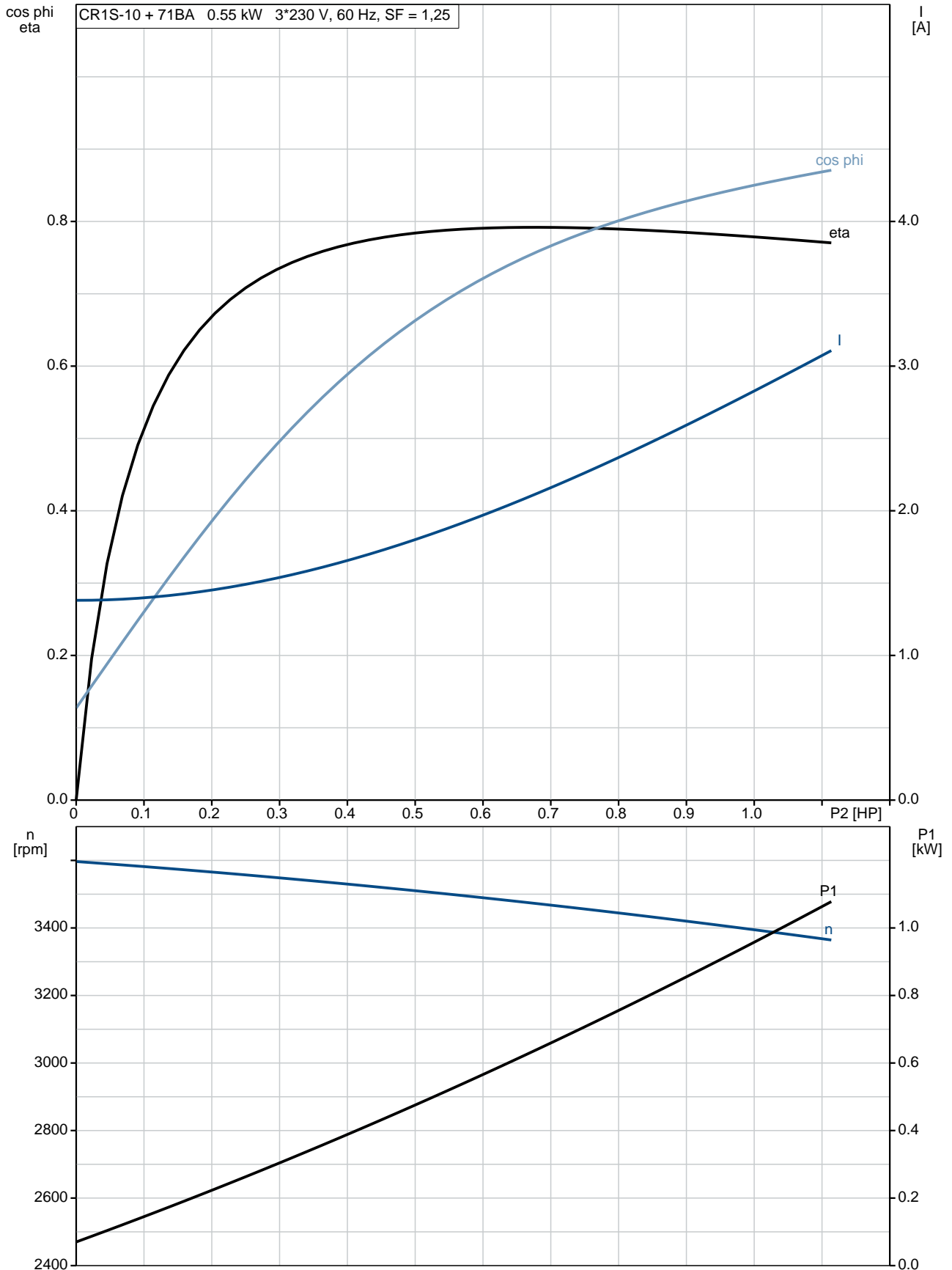
Phone:

Date:

2/25/2019

Description	Value
Service factor:	1.25
Rated current:	2,40-2,30/1,20 A
Starting current:	590-650 %
Load current:	2,9-2,75/1,4 A
Cos phi - power factor:	0.84-0.78
Rated speed:	3430-3460 rpm
Motor efficiency at full load:	79.0-80.0 %
Number of poles:	2
Enclosure class (IEC 34-5):	55 Dust/Jetting
Insulation class (IEC 85):	F
Motor protection:	NONE
Motor Number:	85900702
Controls:	
Frequency converter:	NONE
Others:	
Net weight:	63.2 lb
Gross weight:	74.2 lb
Shipping volume:	4.94 ft ³
Country of origin:	US
Custom tariff no.:	8413.70.2040

96081132 CR 1S-10 A-FGJ-A-V-HQQV 60 Hz



96081132 CR 1S-10 A-FGJ-A-V-HQQV 60 Hz

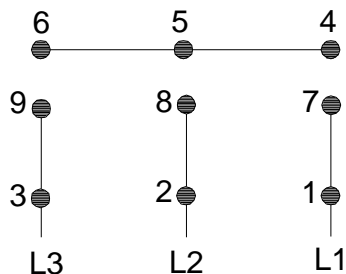


WARNING

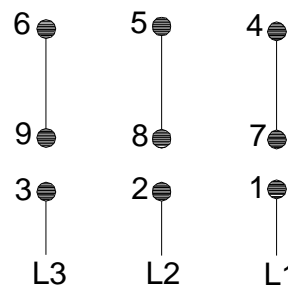
MOTOR MUST BE GROUNDED IN ACCORDANCE WITH THE NATIONAL ELECTRICAL CODE AND LOCAL CODES BY TRAINED PERSONNEL TO PREVENT SERIOUS ELECTRICAL SHOCKS.

TO SERVICE MOTOR, DISCONNECT POWER SOURCE FROM MOTOR AND ANY ACCESSORY DEVICES AND ALLOW MOTOR TO COME TO A COMPLETE STAND STILL.

LOW VOLTAGE 60Hz. 208-230V



HIGH VOLTAGE 60Hz: 460V 50Hz: 400V



96553852

INTERCHANGE ANY TWO LINE WIRES TO REVERSE ROTATION
THERMOSTAT LEADS
(WHEN PROVIDED)

