
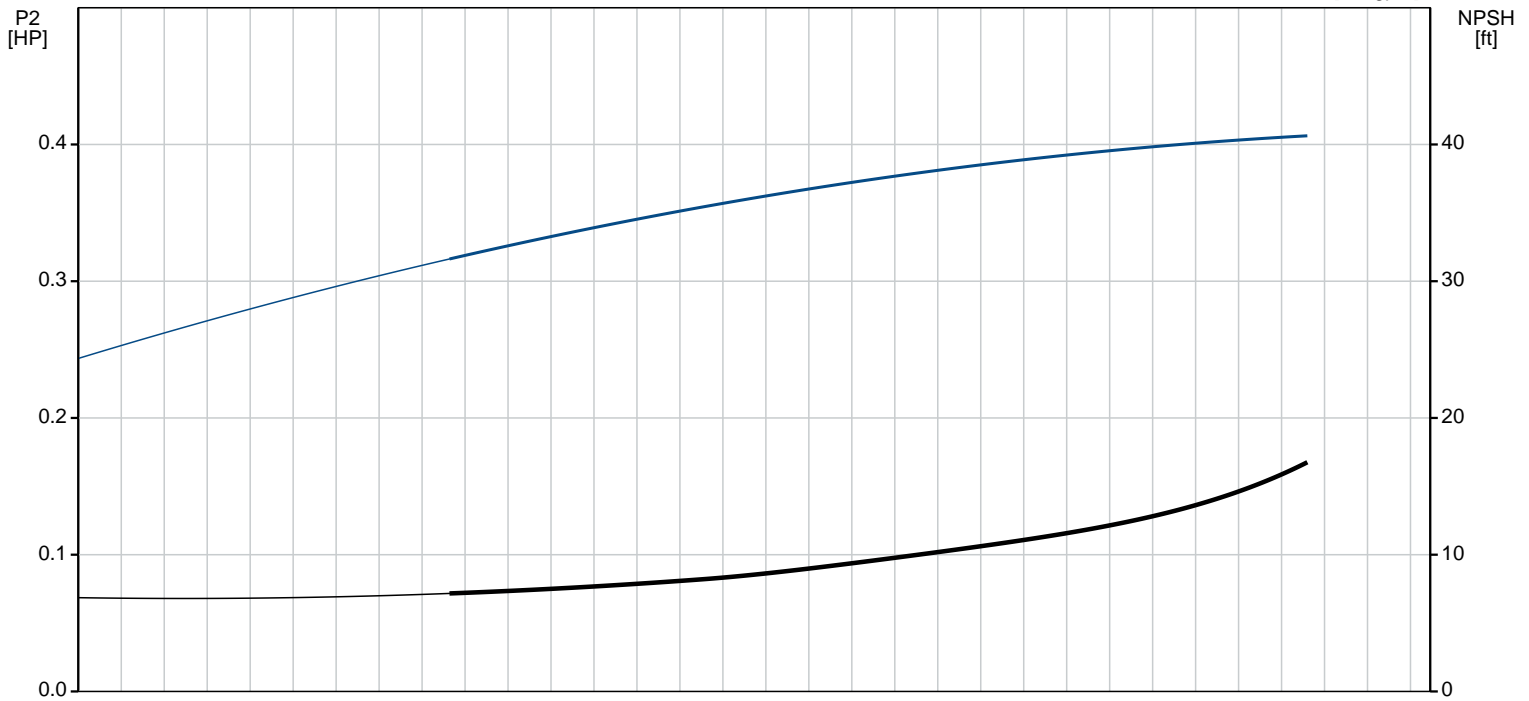
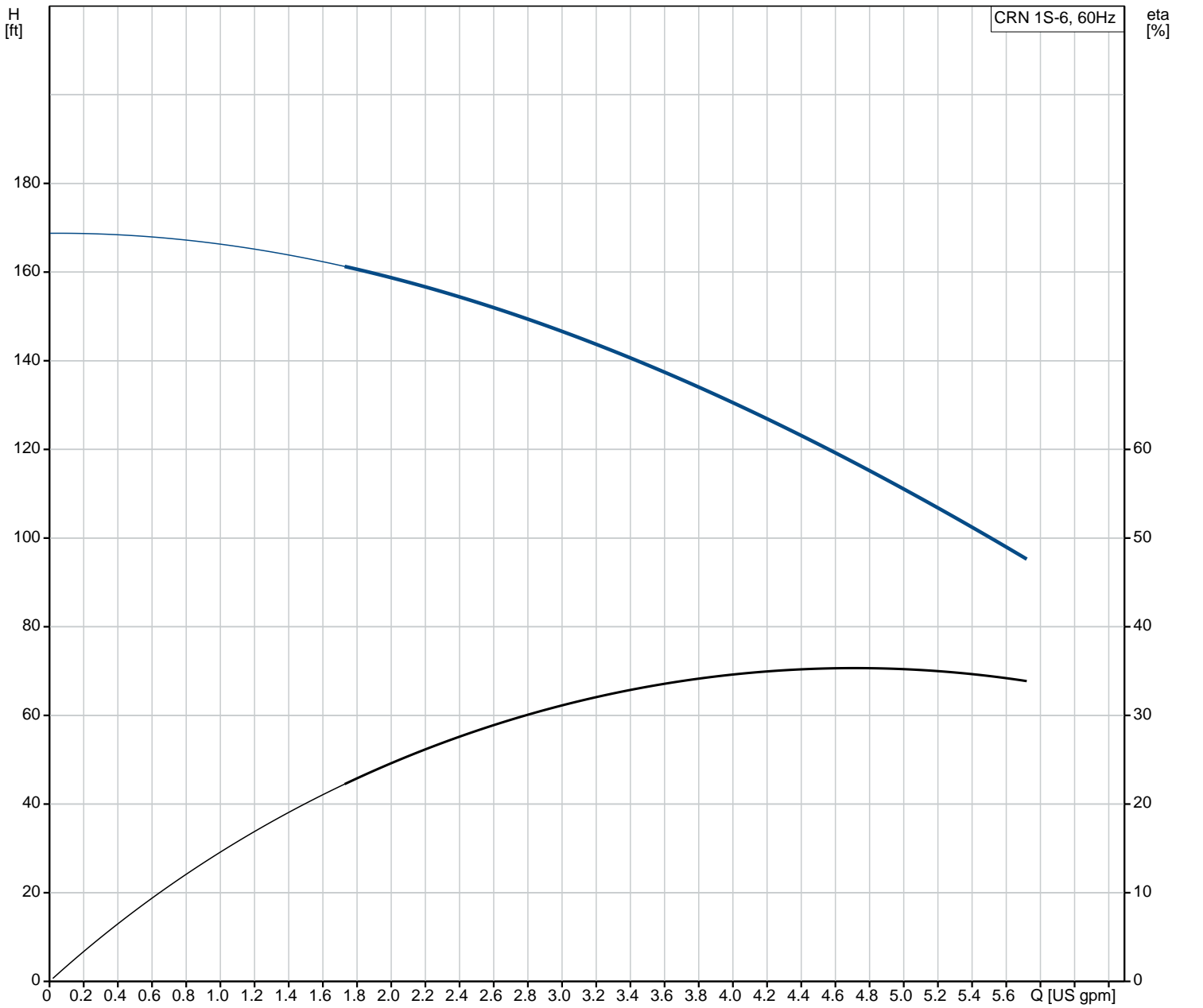


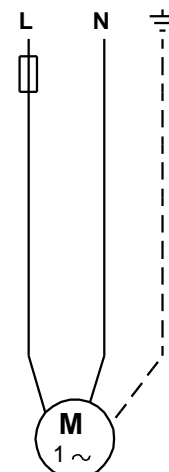
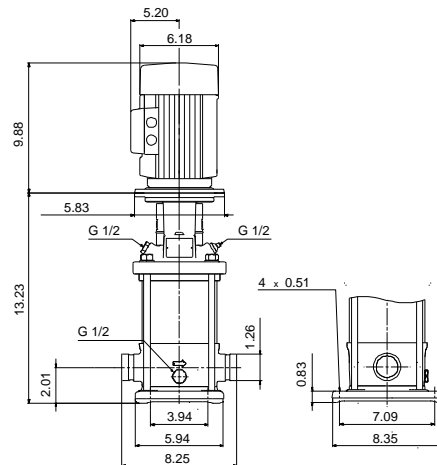
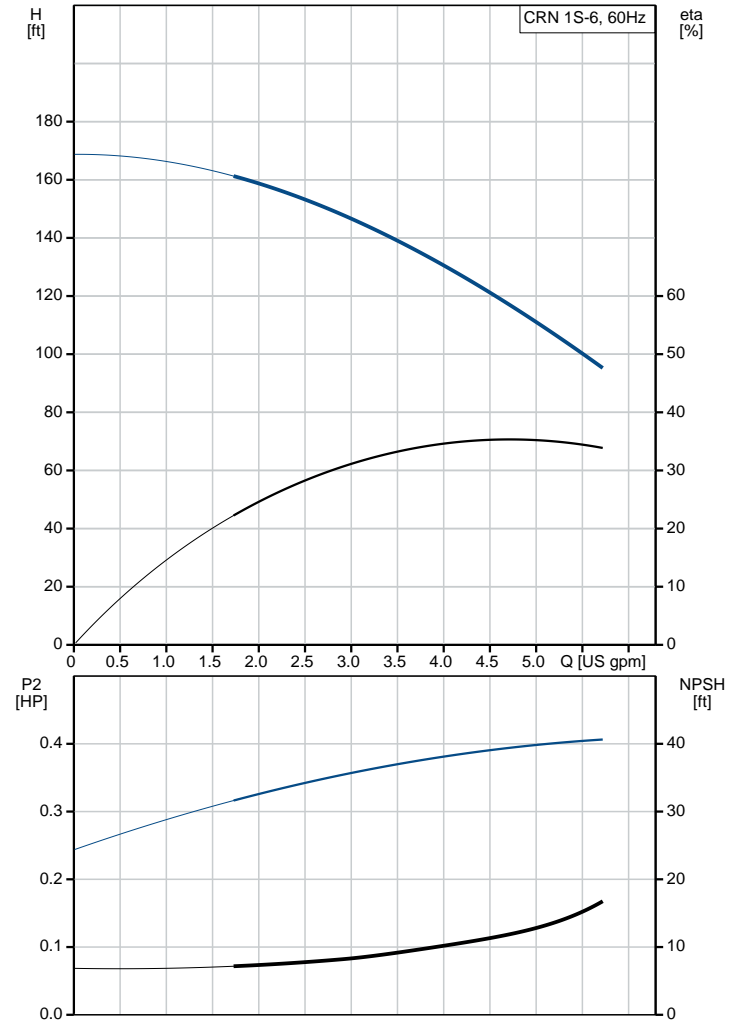
Count	Description
1	<p data-bbox="113 230 408 253"><b>CRN 1S-6 A-P-A-E-HQQE</b></p> <div data-bbox="256 271 352 517" style="text-align: center;">  </div> <p data-bbox="113 551 376 573">Product No.: <a href="#">96081598</a></p> <p data-bbox="113 580 635 663">Vertical, non-self-priming, multistage, in-line, centrifugal pump for installation in pipe systems and mounting on a foundation.</p> <p data-bbox="113 696 668 958">The pump has the following characteristics:</p> <ul style="list-style-type: none"> <li>- Impellers, intermediate chambers and outer sleeve are made of</li> <li>- Pump head cover and base are made of</li> <li>- The shaft seal has assembly length according to EN 12756.</li> <li>- Power transmission is via cast iron split coupling flanges/couplings.</li> </ul> <p data-bbox="113 992 485 1014">The motor is a 1-phase AC motor.</p> <p data-bbox="113 1055 225 1077"><b>Controls:</b></p> <p data-bbox="113 1084 547 1106">Frequency converter: NONE</p> <p data-bbox="113 1144 196 1167"><b>Liquid:</b></p> <p data-bbox="113 1173 600 1285">Pumped liquid: Water Liquid temperature range: -4 .. 248 °F Liquid temperature during operation: 68 °F Density: 62.29 lb/ft<sup>3</sup></p> <p data-bbox="113 1323 236 1346"><b>Technical:</b></p> <p data-bbox="113 1352 675 1583">Rated pump speed: 3443 rpm Rated flow: 4.84 US gpm Rated head: 110.2 ft Pump orientation: Vertical Shaft seal arrangement: Single Code for shaft seal: HQQE Approvals on nameplate: CURUS,NSF61 Curve tolerance: ISO9906:2012 3B</p> <p data-bbox="113 1621 229 1644"><b>Materials:</b></p> <p data-bbox="113 1650 638 1852">Base: Stainless steel EN 1.4408 AISI 316 Impeller: Stainless steel EN 1.4401 AISI 316 Bearing: SIC</p> <p data-bbox="113 1890 252 1912"><b>Installation:</b></p> <p data-bbox="113 1919 715 2031">Maximum ambient temperature: 104 °F Maximum operating pressure: 363 psi Max pressure at stated temperature: 363 psi / 250 °F 363 psi / -4 °F</p> <p data-bbox="113 2038 595 2210">Type of connection: PJE Size of inlet connection: DN 32 Size of suction port: 1 1/4 inch Size of outlet connection: DN 32 Size of outlet port: 1 1/4 inch Pressure rating for pipe connection: PN 50</p>

Count	Description
	<p>Flange size for motor: 56C</p> <p><b>Electrical data:</b></p> <p>Motor standard: NEMA</p> <p>Motor type: Baldor</p> <p>Rated power - P2: 0.5 HP</p> <p>Power (P2) required by pump: 0.5 HP</p> <p>Main frequency: 60 Hz</p> <p>Rated voltage: 1 x 115/230 V</p> <p>Service factor: 1.60</p> <p>Rated current: 7.4/3.7 A</p> <p>Rated speed: 3450 rpm</p> <p>Number of poles: 2</p> <p>Enclosure class (IEC 34-5): 54 Dust/Splashing</p> <p>Insulation class (IEC 85): B</p> <p><b>Others:</b></p> <p>Net weight: 50.7 lb</p> <p>Gross weight: 61.7 lb</p> <p>Shipping volume: 4.94 ft<sup>3</sup></p> <p>Country of origin: US</p> <p>Custom tariff no.: 8413.70.2040</p>

## 96081598 CRN 1S-6 A-P-A-E-HQQE 60 Hz



Description	Value
<b>General information:</b>	
Product name:	CRN 1S-6 A-P-A-E-HQQE
Product No.:	96081598
EAN:	5700395160420
<b>Technical:</b>	
Rated pump speed:	3443 rpm
Rated flow:	4.84 US gpm
Rated head:	110.2 ft
Head max:	164.1 ft
Stages:	6
Impellers:	6
Number of reduced-diameter impellers:	0
Low NPSH:	N
Pump orientation:	Vertical
Shaft seal arrangement:	Single
Code for shaft seal:	HQQE
Approvals on nameplate:	CURUS,NSF61
Curve tolerance:	ISO9906:2012 3B
Pump version:	A
Model:	A
Cooling:	TEFC
<b>Materials:</b>	
Base:	Stainless steel EN 1.4408 AISI 316
Impeller:	Stainless steel EN 1.4401 AISI 316
Material code:	A
Code for rubber:	E
Bearing:	SIC
<b>Installation:</b>	
Maximum ambient temperature:	104 °F
Maximum operating pressure:	363 psi
Max pressure at stated temperature:	363 psi / 250 °F 363 psi / -4 °F
Type of connection:	PJE
Size of inlet connection:	DN 32
Size of suction port:	1 1/4 inch
Size of outlet connection:	DN 32
Size of outlet port:	1 1/4 inch
Pressure rating for pipe connection:	PN 50
Flange size for motor:	56C
Connect code:	P
<b>Liquid:</b>	
Pumped liquid:	Water
Liquid temperature range:	-4 .. 248 °F
Liquid temperature during operation:	68 °F
Density:	62.29 lb/ft³
<b>Electrical data:</b>	
Motor standard:	NEMA
Motor type:	Baldor
Rated power - P2:	0.5 HP
Power (P2) required by pump:	0.5 HP
Main frequency:	60 Hz
Rated voltage:	1 x 115/230 V
Service factor:	1.60
Rated current:	7.4/3.7 A
Load current:	9.8/4.9 A
Rated speed:	3450 rpm
Number of poles:	2
Enclosure class (IEC 34-5):	54 Dust/Splashing
Insulation class (IEC 85):	B
Motor Number:	85700002
<b>Controls:</b>	
Frequency converter:	NONE





Company name:

Created by:

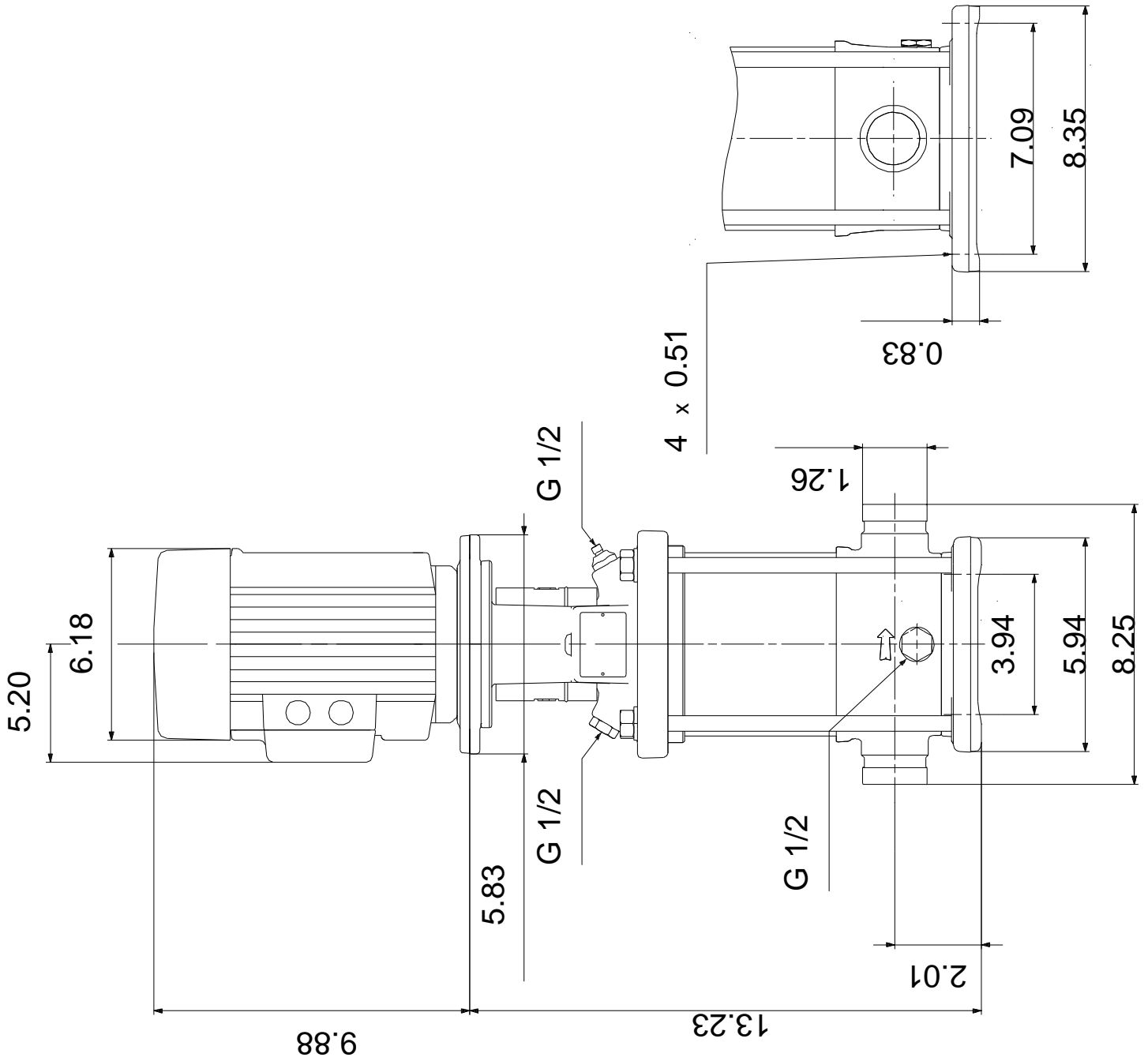
Phone:

Date:

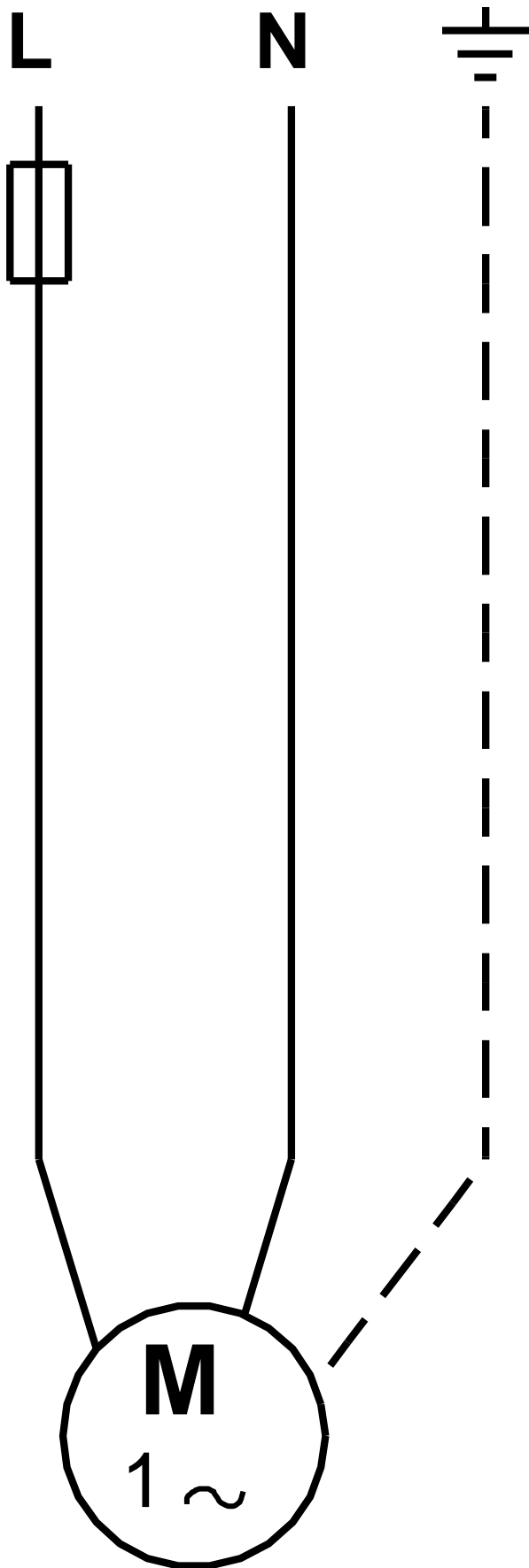
3/15/2019

Description	Value
<b>Others:</b>	
Net weight:	50.7 lb
Gross weight:	61.7 lb
Shipping volume:	4.94 ft <sup>3</sup>
Country of origin:	US
Custom tariff no.:	8413.70.2040

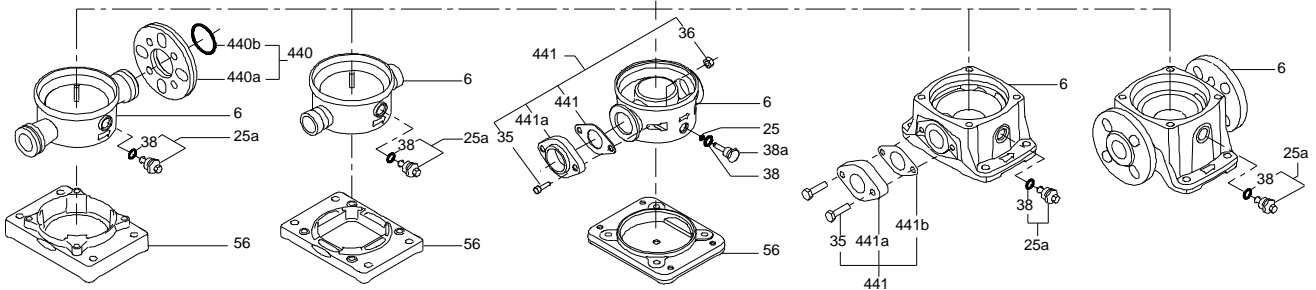
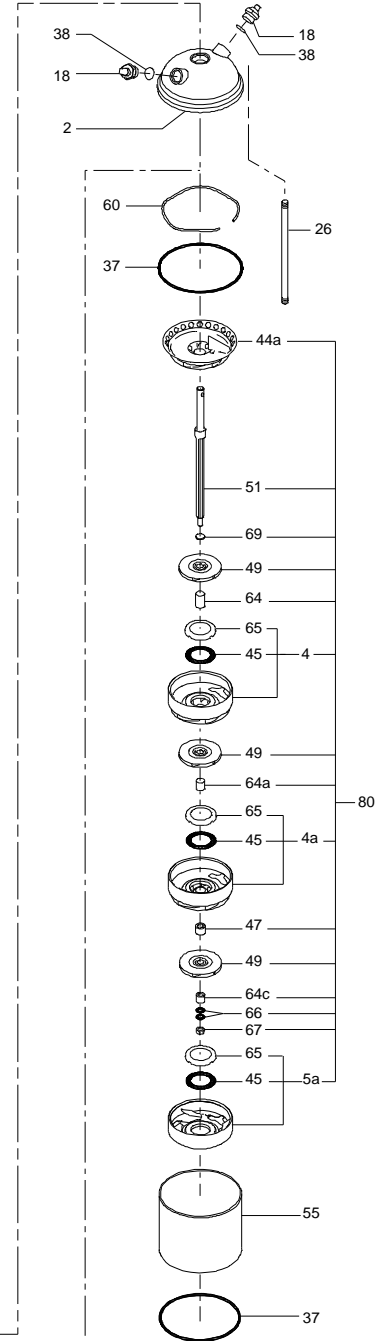
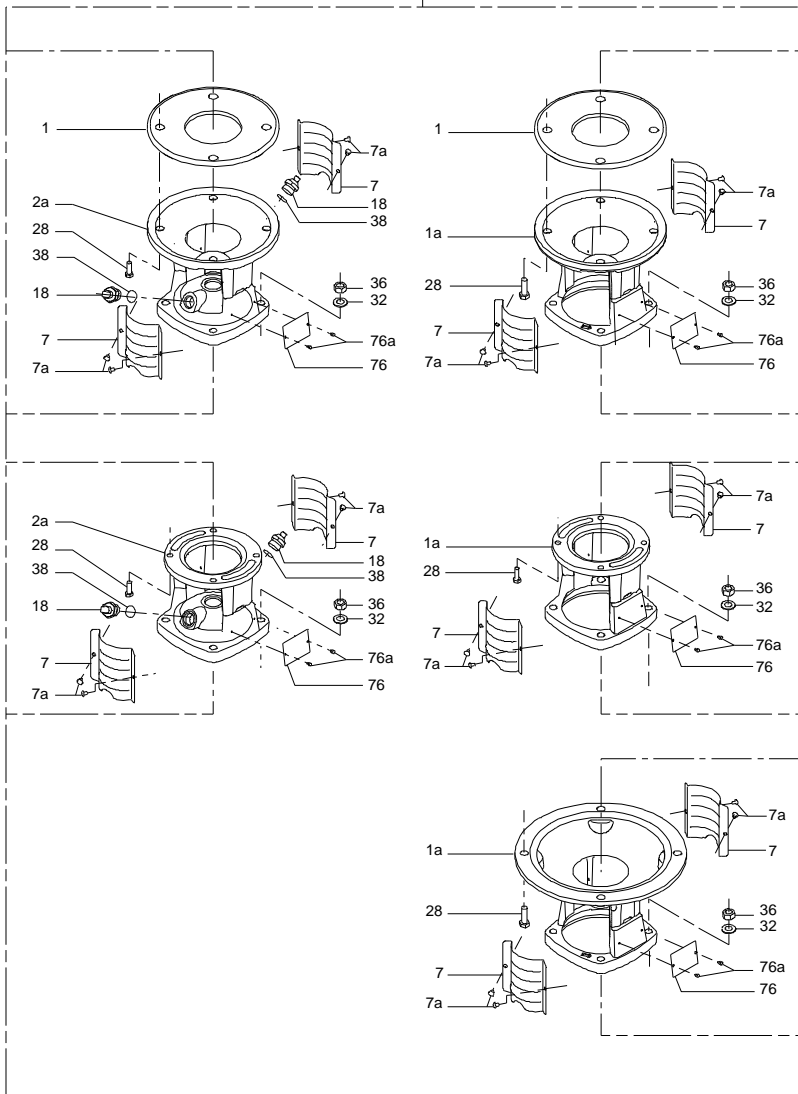
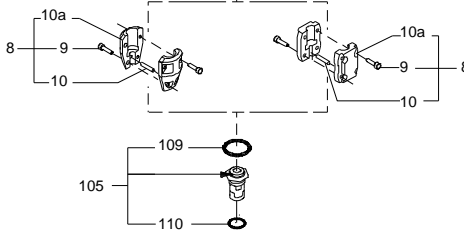
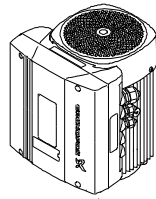
## 96081598 CRN 1S-6 A-P-A-E-HQQE 60 Hz



96081598 CRN 1S-6 A-P-A-E-HQQE 60 Hz



( TM069451 for SMCR standard)





**Service parts CRN 1S-6, Prod number 96081598**  
**Valid from 1.1.2004 (0401)**

Position	Description	Annotation	Classification data	Part No.	Count	Unit
- 80	Kit, chamber stack			96479082	1	pcs
- 4a	Chamber w. bearing cpl.				1	
4a	Intermediate chamber					
45	Neck ring					
65	Neck ring retainer					
- 4	Chamber cpl.				4	
4a	Intermediate chamber					
45	Neck ring					
65	Neck ring retainer					
- 5a	Chamber cpl.				1	
4a	Intermediate chamber					
45	Neck ring					
65	Neck ring retainer					
- 44a	Guide vane				1	
	Plate					
50	Top plate					
47	Bearing ring, rotating				1	
- 49	Impeller cpl.				6	
49	Impeller					
51	Shaft, spline, cpl.				1	
64d	Spacing pipe		Inner diameter: 12,85 Outer diameter: 15,85 Length: 4,50		1	
64c	Clamp, splined		Inner diameter: 8,5 Outer diameter: 15		1	
64a	Spacing pipe				4	
66	Wedge lock washer				1	
67	Lock nut		Thread: M8		1	
-	Kit, coupling			00415314	1	pcs
9	Hex socket head cap screw		Designation: DIN 912 Length: 20 Thread: M6		4	
10a	Coupling half				2	
10	Shaft pin		Diameter: 5 Length: 26		1	
+	Kit, coupling guard			96505131	1	pcs
-	Kit, gaskets			96455090	1	pcs
37	O-ring				2	
38	O-ring		Diameter: 16,3 Material type: EPDM Thickness: 2,4		1	
38	O-ring		Diameter: 16,3 Material type: EPDM Thickness: 2,4		2	
109	O-ring		Diameter: 22,00 Material type: EPDM Thickness: 2,75		1	
-	Kit, plug			96511103	1	pcs
- 18	Air vent screw				1	
	Spindle					
	Plug					
23b	Spindle				1	
25	Plug				1	
- 25	Drain plug				1	
25a	Pipe plug					
25	Drain plug					
38	O-ring				1	
38	O-ring		Diameter: 16,3 Material type: FKM Thickness: 2,4		3	
38	O-ring				1	

Position	Description	Annotation	Classification data	Part No.	Count	Unit
38	O-ring		Diameter: 16,3		3	
			Material type: EPDM			
			Thickness: 2,4			
-	Kit, shaft seal HQQE			96455086	1	pcs
+ 105	Shaft seal		Material type: HQQE		1	
-	Kit, wear parts		Material type: SILICON CARBIDE	96455095	1	pcs
- 4a	Chamber w. bearing cpl.				1	
4a	Intermediate chamber					
45	Neck ring					
65	Neck ring retainer					
45	Neck ring				8	
47	Bearing ring, rotating				1	
64d	Spacing pipe		Inner diameter: 12,85		1	
			Outer diameter: 15,85			
			Length: 4,50			
64c	Clamp, splined		Inner diameter: 8,5		1	
			Outer diameter: 15			
65	Neck ring retainer				8	
66	Wedge lock washer				1	
67	Lock nut		Thread: M8		1	
441b	Gasket				2	
	Motor				1	pcs
1a	Motor stool			98947314	1	pcs
2	Pump cover			96588244	1	pcs
+ 4a	Bulk, Chamber w. bearing cpl. (5 pcs)			97690603	1	pcs
+ 4a	Chamber w. bearing cpl.			98371226	1	pcs
- 4	Bulk, Chamber cpl. (5 pcs)			97690021	4	pcs
45	Bulk, Neck ring (24 pcs)			96536194	1	
65	Bulk, Neck ring retainer (8 pcs)			99490745	1	
65	Bulk, Neck ring retainer (24 pcs)			99490747	1	
+ 4	Bulk, Chamber cpl. (10 pcs)			96547663	4	pcs
+ 4	Chamber cpl.			98371224	4	pcs
+ 5a	Chamber cpl.			98371222	1	pcs
6	Base			96588139	1	pcs
7a	Bulk, Combi Slot Torx screw (1000 pcs)			96886324	4	pcs
7	Bulk, Coupling guard (10 pcs)			96603690	2	pcs
+ 18	Bulk, Air vent screw (5 pcs)			96547461	1	pcs
+ 18	Air vent screw			95061351	1	pcs
- 25a	Drain plug w/bypass valve			96588243	1	pcs
38	Bulk, O-ring (10 pcs)		Diameter: 16,3	99198815	1	
			Material type: EPDM			
			Thickness: 2,4			
38	Bulk, O-ring (50 pcs)		Diameter: 16,3	99412727	1	
			Material type: EPDM			
			Thickness: 2,4			
26	Staybolt		Length: 209	98967030	4	pcs
			Thread: M12			
37	Bulk, O-ring (24 pcs)			96547656	2	pcs
38	Bulk, O-ring (10 pcs)		Diameter: 16,3	99198815	2	pcs
			Material type: EPDM			
			Thickness: 2,4			
38	Bulk, O-ring (50 pcs)		Diameter: 16,3	99412727	2	pcs
			Material type: EPDM			
			Thickness: 2,4			
+ 44a	Guide vane			98488445	1	pcs
47	Bulk, Bearing ring, rotating (10 pcs)			97905743	1	pcs
47	Bearing ring, rotating			96547649	1	pcs
+ 49	Impeller cpl.			98394411	6	pcs
51	Shaft, spline, cpl.			98368512	1	pcs
55	Outer sleeve			98811269	1	pcs
56	Base plate			96588142	1	pcs
60	Formed wire spring			96547664	1	pcs
64c	Bulk, Clamp, splined (5 pcs)		Inner diameter: 8,5	98496968	1	pcs
			Outer diameter: 15			
64a	Bulk, Spacing pipe (24 pcs)			96536198	4	pcs
66	Bulk, Wedge lock washer (10 pcs)			96536157	1	pcs



Company name:

Created by:

Phone:

Date:

3/15/2019

Position	Description	Annotation	Classification data	Part No.	Count	Unit
67	Bulk, Lock nut (10 pcs)		Thread: M8	98277008	1	pcs
+ 105	Bulk, Shaft seal (15 pcs)		Material type: HQQE	96983415	1	pcs