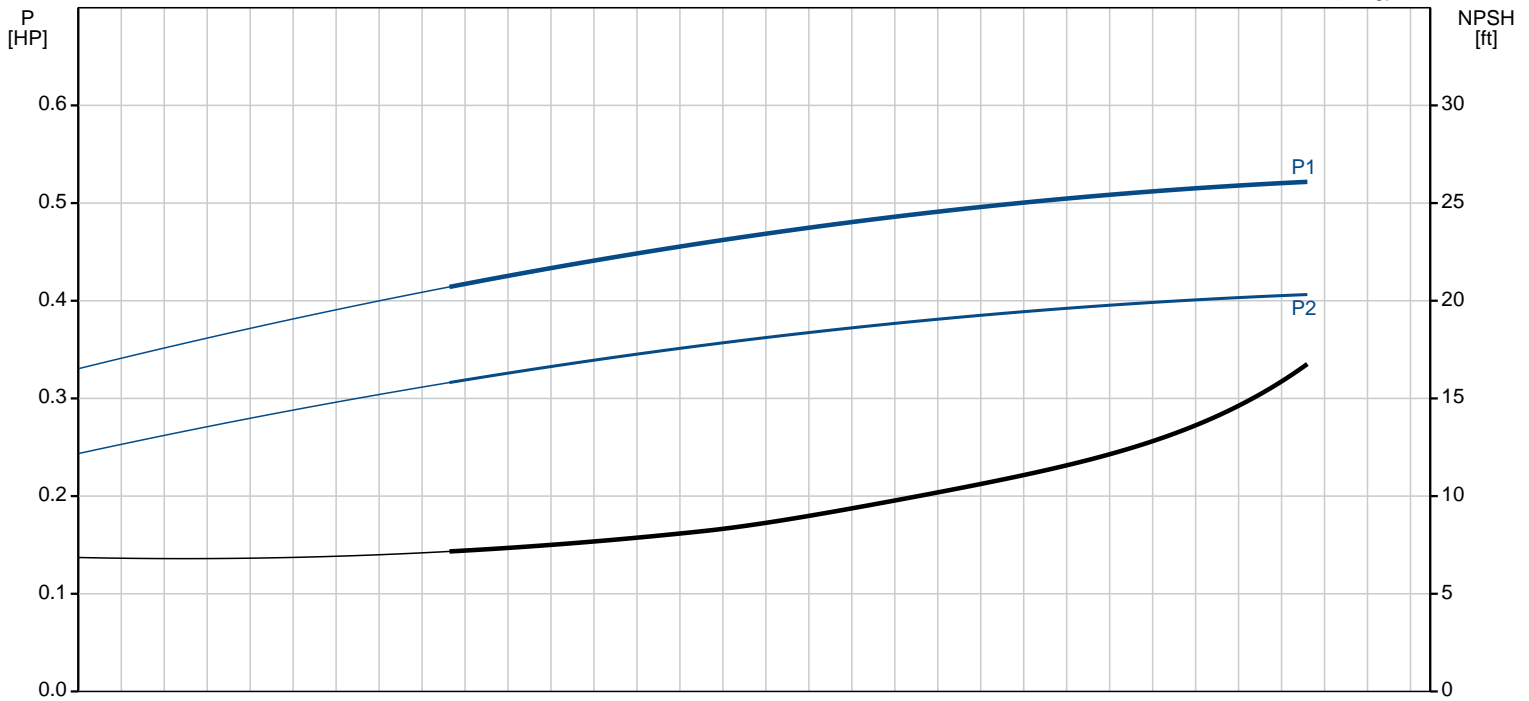
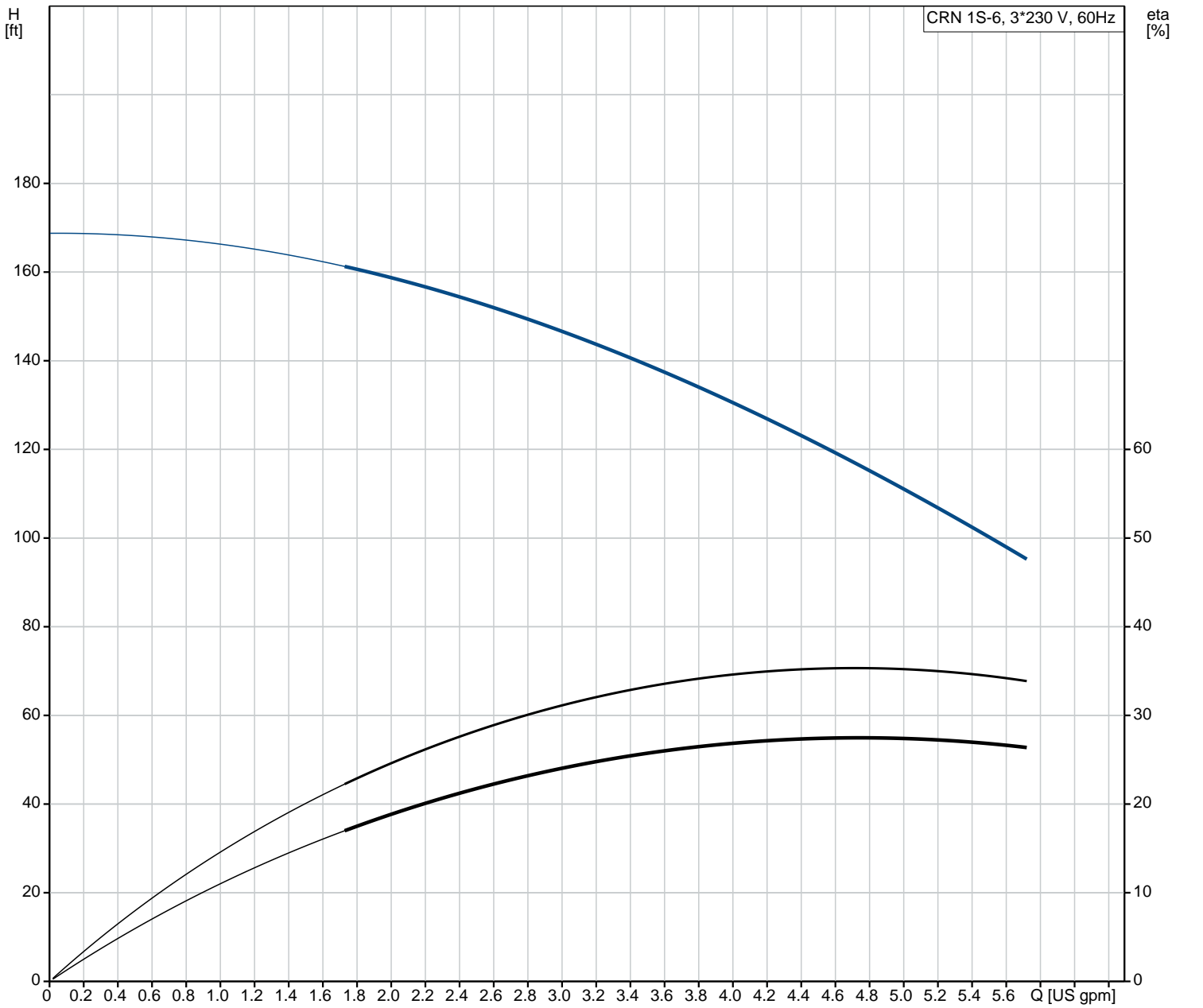


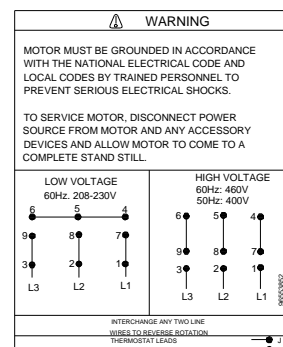
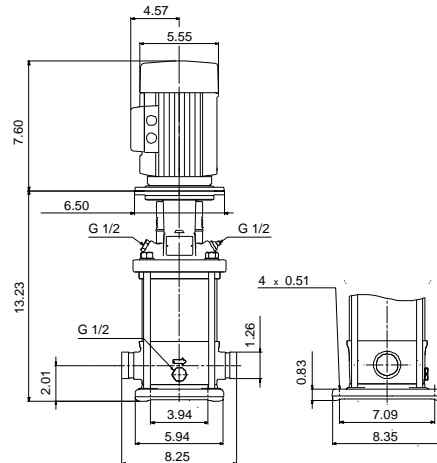
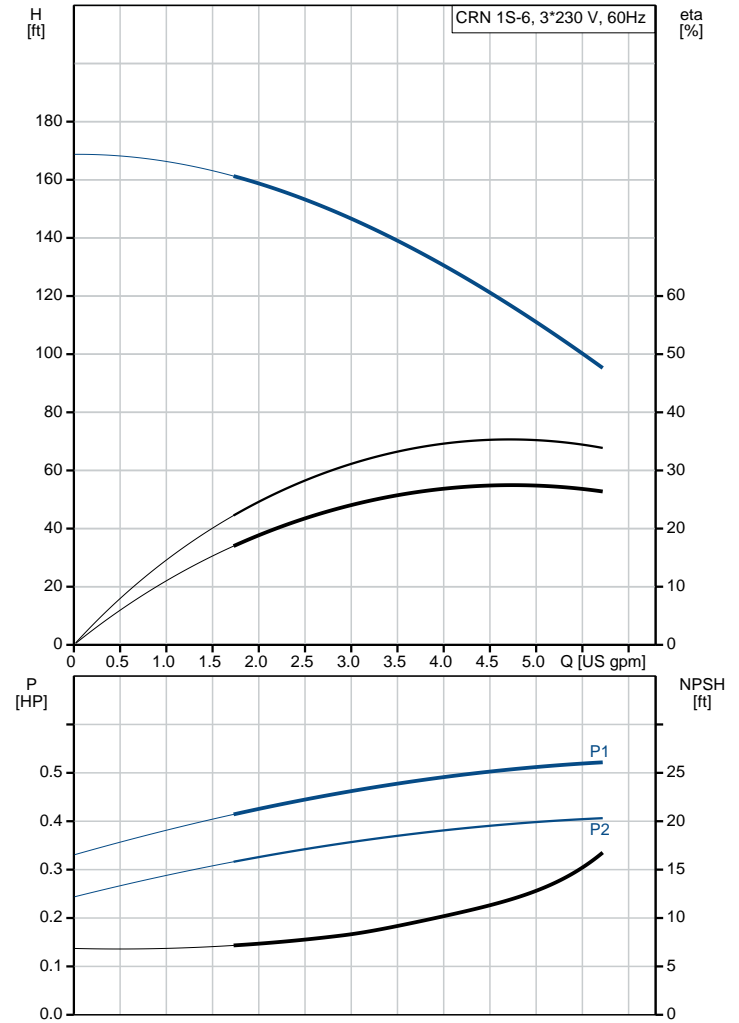
Count	Description
1	<p data-bbox="113 230 408 253">CRN 1S-6 A-P-A-E-HQQE</p> <div data-bbox="253 275 352 517" data-label="Image"> </div> <p data-bbox="113 551 376 573">Product No.: 96081599</p> <p data-bbox="113 580 635 663">Vertical, non-self-priming, multistage, in-line, centrifugal pump for installation in pipe systems and mounting on a foundation.</p> <p data-bbox="113 696 668 958">The pump has the following characteristics:</p> <ul style="list-style-type: none"> - Impellers, intermediate chambers and outer sleeve are made of - Pump head cover and base are made of - The shaft seal has assembly length according to EN 12756. - Power transmission is via cast iron split coupling flanges/couplings. <p data-bbox="113 992 485 1014">The motor is a 3-phase AC motor.</p> <p data-bbox="113 1055 225 1077">Controls:</p> <p data-bbox="113 1084 547 1106">Frequency converter: NONE</p> <p data-bbox="113 1144 193 1167">Liquid:</p> <p data-bbox="113 1173 600 1285">Pumped liquid: Water Liquid temperature range: -4 .. 248 °F Liquid temperature during operation: 68 °F Density: 62.29 lb/ft³</p> <p data-bbox="113 1323 236 1346">Technical:</p> <p data-bbox="113 1352 675 1585">Rated pump speed: 3485 rpm Rated flow: 4.84 US gpm Rated head: 114.2 ft Pump orientation: Vertical Shaft seal arrangement: Single Code for shaft seal: HQQE Approvals on nameplate: CURUS,NSF61 Curve tolerance: ISO9906:2012 3B</p> <p data-bbox="113 1624 228 1646">Materials:</p> <p data-bbox="113 1653 638 1854">Base: Stainless steel EN 1.4408 AISI 316 Impeller: Stainless steel EN 1.4401 AISI 316 Bearing: SIC</p> <p data-bbox="113 1892 252 1915">Installation:</p> <p data-bbox="113 1921 715 2033">Maximum ambient temperature: 104 °F Maximum operating pressure: 363 psi Max pressure at stated temperature: 363 psi / 250 °F 363 psi / -4 °F</p> <p data-bbox="113 2040 595 2213">Type of connection: PJE Size of inlet connection: DN 32 Size of suction port: 1 1/4 inch Size of outlet connection: DN 32 Size of outlet port: 1 1/4 inch Pressure rating for pipe connection: PN 50</p>

Count	Description
	<p>Flange size for motor: 56C</p> <p>Electrical data:</p> <p>Motor standard: NEMA</p> <p>Motor type: 71AB</p> <p>Rated power - P2: 0.5 HP</p> <p>Power (P2) required by pump: 0.5 HP</p> <p>Main frequency: 60 Hz</p> <p>Rated voltage: 3 x 208-230YY/460Y V</p> <p>Service factor: 1.25</p> <p>Rated current: 1,64-1,55/0,78 A</p> <p>Starting current: 590-650 %</p> <p>Cos phi - power factor: 0.84-0.78</p> <p>Rated speed: 3430-3460 rpm</p> <p>Motor efficiency at full load: 78.5 %</p> <p>Number of poles: 2</p> <p>Enclosure class (IEC 34-5): 55 Dust/Jetting</p> <p>Insulation class (IEC 85): F</p> <p>Others:</p> <p>Net weight: 44.3 lb</p> <p>Gross weight: 55.3 lb</p> <p>Shipping volume: 4.94 ft³</p> <p>Country of origin: US</p> <p>Custom tariff no.: 8413.70.2040</p>

96081599 CRN 1S-6 A-P-A-E-HQQE 60 Hz



Description	Value
General information:	
Product name:	CRN 1S-6 A-P-A-E-HQQE
Product No.:	96081599
EAN:	5700395160437
Technical:	
Rated pump speed:	3485 rpm
Rated flow:	4.84 US gpm
Rated head:	114.2 ft
Head max:	168.3 ft
Stages:	6
Impellers:	6
Number of reduced-diameter impellers:	0
Low NPSH:	N
Pump orientation:	Vertical
Shaft seal arrangement:	Single
Code for shaft seal:	HQQE
Approvals on nameplate:	CURUS, NSF61
Curve tolerance:	ISO9906:2012 3B
Pump version:	A
Model:	A
Cooling:	TEFC
Materials:	
Base:	Stainless steel EN 1.4408 AISI 316
Impeller:	Stainless steel EN 1.4401 AISI 316
Material code:	A
Code for rubber:	E
Bearing:	SIC
Installation:	
Maximum ambient temperature:	104 °F
Maximum operating pressure:	363 psi
Max pressure at stated temperature:	363 psi / 250 °F 363 psi / -4 °F
Type of connection:	PJE
Size of inlet connection:	DN 32
Size of suction port:	1 1/4 inch
Size of outlet connection:	DN 32
Size of outlet port:	1 1/4 inch
Pressure rating for pipe connection:	PN 50
Flange size for motor:	56C
Connect code:	P
Liquid:	
Pumped liquid:	Water
Liquid temperature range:	-4 .. 248 °F
Liquid temperature during operation:	68 °F
Density:	62.29 lb/ft³
Electrical data:	
Motor standard:	NEMA
Motor type:	71AB
Rated power - P2:	0.5 HP
Power (P2) required by pump:	0.5 HP
Main frequency:	60 Hz
Rated voltage:	3 x 208-230Y/460Y V
Service factor:	1.25
Rated current:	1,64-1,55/0,78 A
Starting current:	590-650 %
Load current:	2,0-1,9/0,95 A
Cos phi - power factor:	0.84-0.78
Rated speed:	3430-3460 rpm
Motor efficiency at full load:	78.5 %
Number of poles:	2
Enclosure class (IEC 34-5):	55 Dust/Jetting
Insulation class (IEC 85):	F





Company name:

Created by:

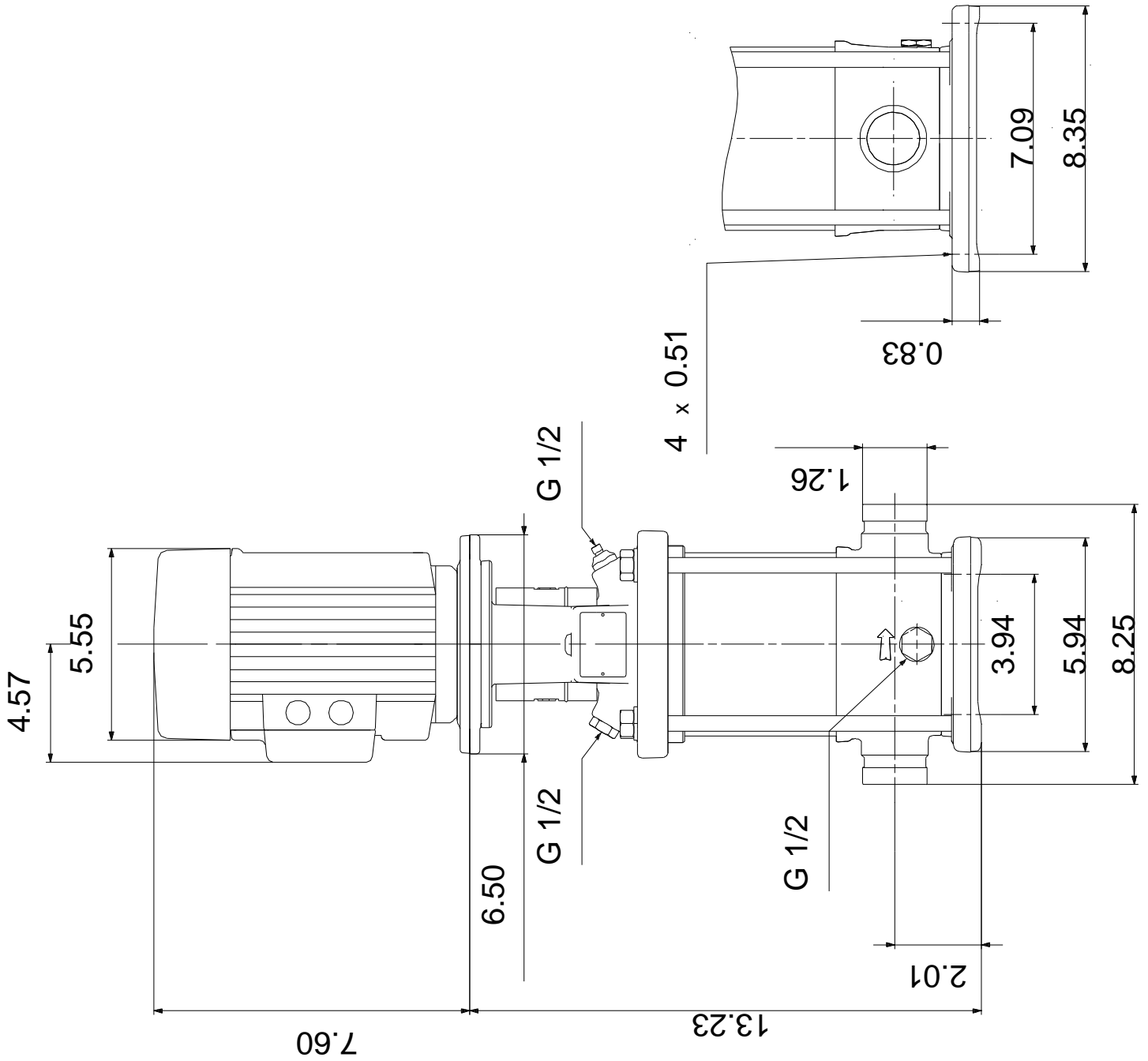
Phone:

Date:

3/15/2019

Description	Value
Motor protection:	NONE
Motor Number:	85900701
Controls:	
Frequency converter:	NONE
Others:	
Net weight:	44.3 lb
Gross weight:	55.3 lb
Shipping volume:	4.94 ft ³
Country of origin:	US
Custom tariff no.:	8413.70.2040

96081599 CRN 1S-6 A-P-A-E-HQQE 60 Hz



96081599 CRN 1S-6 A-P-A-E-HQQE 60 Hz

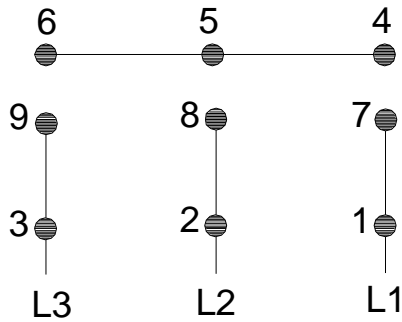


WARNING

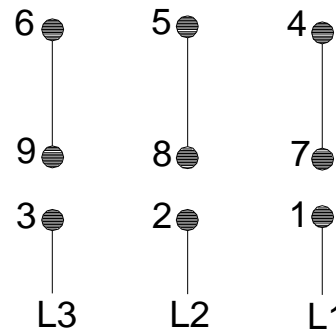
MOTOR MUST BE GROUNDED IN ACCORDANCE WITH THE NATIONAL ELECTRICAL CODE AND LOCAL CODES BY TRAINED PERSONNEL TO PREVENT SERIOUS ELECTRICAL SHOCKS.

TO SERVICE MOTOR, DISCONNECT POWER SOURCE FROM MOTOR AND ANY ACCESSORY DEVICES AND ALLOW MOTOR TO COME TO A COMPLETE STAND STILL.

LOW VOLTAGE 60Hz. 208-230V



HIGH VOLTAGE 60Hz: 460V 50Hz: 400V

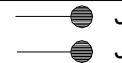


96553852

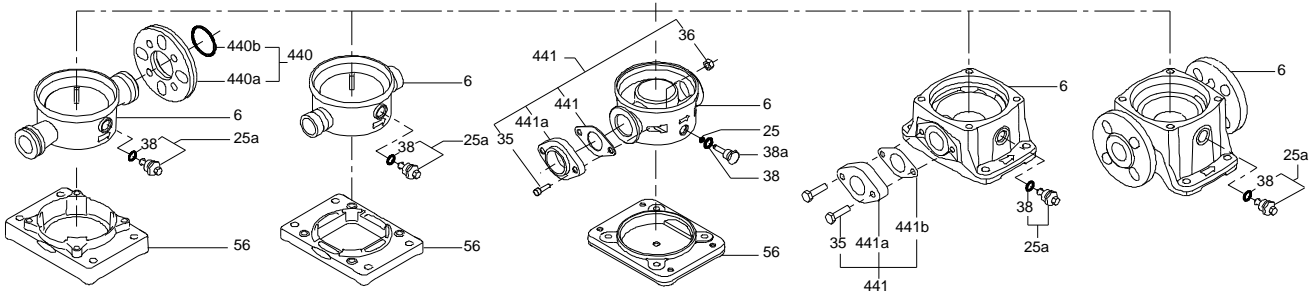
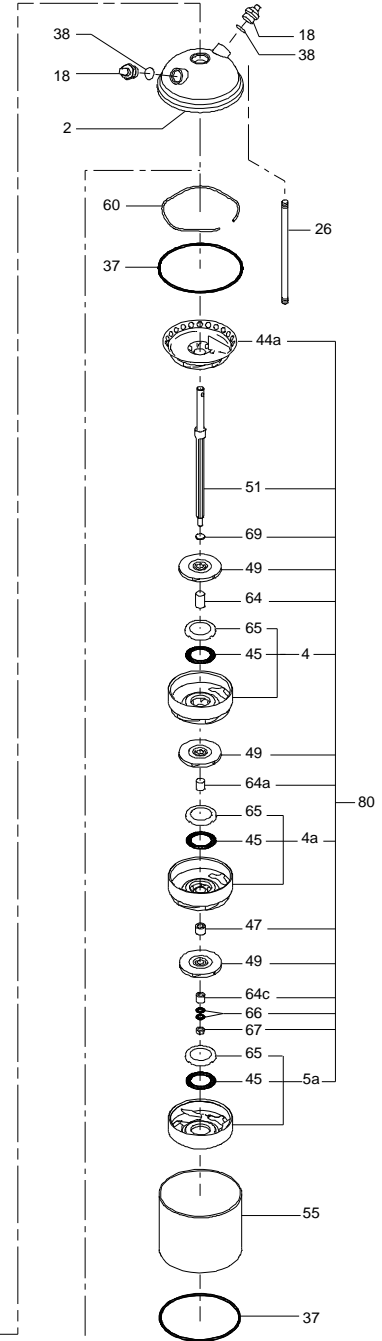
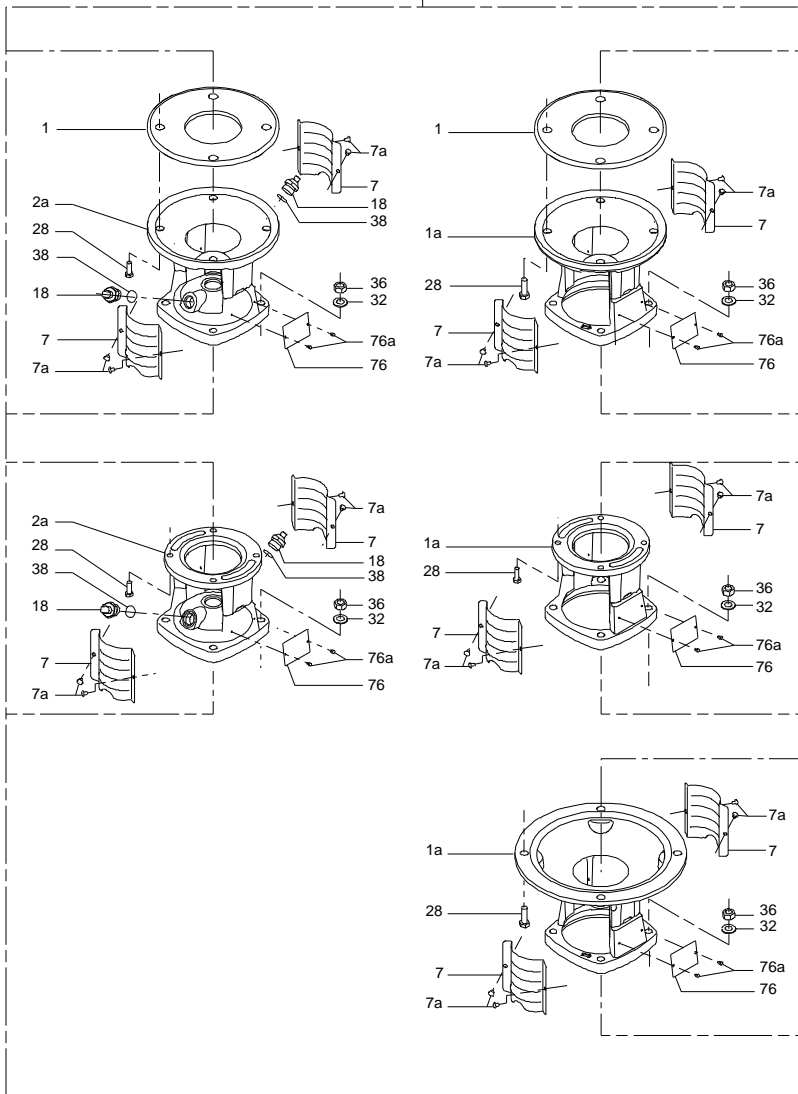
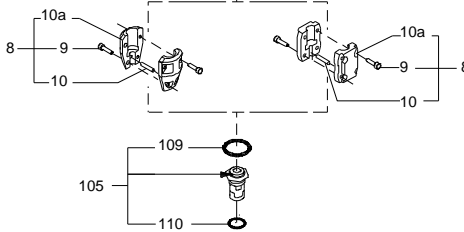
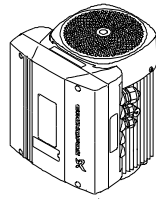
INTERCHANGE ANY TWO LINE WIRES TO REVERSE ROTATION

THERMOSTAT LEADS

(WHEN PROVIDED)



(TM069451 for SMCR standard)



Service parts CRN 1S-6, Prod number 96081599
Valid from 10.1.2005 (0503)

Position	Description	Annotation	Classification data	Part No.	Count	Unit
- 80	Kit, chamber stack			96479082	1	pcs
- 4a	Chamber w. bearing cpl.				1	
4a	Intermediate chamber					
45	Neck ring					
65	Neck ring retainer					
- 4	Chamber cpl.				4	
4a	Intermediate chamber					
45	Neck ring					
65	Neck ring retainer					
- 5a	Chamber cpl.				1	
4a	Intermediate chamber					
45	Neck ring					
65	Neck ring retainer					
- 44a	Guide vane				1	
	Plate					
50	Top plate					
47	Bearing ring, rotating				1	
- 49	Impeller cpl.				6	
49	Impeller					
51	Shaft, spline, cpl.				1	
64d	Spacing pipe		Inner diameter: 12,85 Outer diameter: 15,85 Length: 4,50		1	
64c	Clamp, splined		Inner diameter: 8,5 Outer diameter: 15		1	
64a	Spacing pipe				4	
66	Wedge lock washer				1	
67	Lock nut		Thread: M8		1	
-	Kit, coupling			00415314	1	pcs
9	Hex socket head cap screw		Designation: DIN 912 Length: 20 Thread: M6		4	
10a	Coupling half				2	
10	Shaft pin		Diameter: 5 Length: 26		1	
-	Kit, coupling guard			96505130	1	pcs
7.a	Combi Slot Torx screw				4	
7	Coupling guard				2	
-	Kit, gaskets			96455090	1	pcs
37	O-ring				2	
38	O-ring		Diameter: 16,3 Material type: EPDM Thickness: 2,4		1	
38	O-ring		Diameter: 16,3 Material type: EPDM Thickness: 2,4		2	
109	O-ring		Diameter: 22,00 Material type: EPDM Thickness: 2,75		1	
-	Kit, plug			96511103	1	pcs
- 18	Air vent screw				1	
	Spindle					
	Plug					
23b	Spindle				1	
25	Plug				1	
- 25	Drain plug				1	
25a	Pipe plug					
25	Drain plug					
38	O-ring				1	
38	O-ring		Diameter: 16,3 Material type: FKM		3	

Position	Description	Annotation	Classification data	Part No.	Count	Unit
			Thickness: 2,4			
38	O-ring				1	
38	O-ring		Diameter: 16,3		3	
			Material type: EPDM			
			Thickness: 2,4			
-	Kit, shaft seal HQQE			96455086	1	pcs
+ 105	Shaft seal		Material type: HQQE		1	
-	Kit, wear parts		Material type: SILICON CARBIDE	96455095	1	pcs
- 4a	Chamber w. bearing cpl.				1	
4a	Intermediate chamber					
45	Neck ring					
65	Neck ring retainer					
45	Neck ring				8	
47	Bearing ring, rotating				1	
64d	Spacing pipe		Inner diameter: 12,85		1	
			Outer diameter: 15,85			
			Length: 4,50			
64c	Clamp, splined		Inner diameter: 8,5		1	
			Outer diameter: 15			
65	Neck ring retainer				8	
66	Wedge lock washer				1	
67	Lock nut		Thread: M8		1	
441b	Gasket				2	
-	Motor			85901797	1	pcs
-	Kit, Ball bearing			96279741	1	
111	Ball bearing		Designation: 6304.2Z.C3.SYN			
111	Ball bearing					
157	O-ring		Diameter: 32			
			Material type: NBR			
			Thickness: 2			
158	Waved washer					
-	Kit, fan			96279721	1	
156	Fan					
159a	Seal ring					
-	Kit, fan cover			96279720	1	
151	Fan cover					
152	Pan head thread forming screw					
-	Kit, flange			96279836	1	
156b	Flange					
159.c	Seal ring					
184	Gasket		Inner diameter: 114,80			
			Outer diameter: 121,20			
			Thickness: 0,25			
185	Pan head screw					
186	Drain plug					
-	Kit, shaft seal			96279722	1	
159c	Seal ring					
159a	Seal ring					
-	Kit, terminal box			96279837	1	
152	Screw					
164a	Terminal box w/gasket					
164	Terminal box cover w/gasket					
166	Pan head thread forming screw					
173a	Washer		Designation: SQUARE			
			Inner diameter: 5,5			
			Outer diameter: 10X10			
			Thickness: 1,5			
173	Pan head screw		Designation: DIN 7985			
178	Pan head screw		Designation: DIN 7985			
	Motor				1	pcs
1a	Motor stool			98947314	1	pcs
2	Pump cover			96588244	1	pcs
+ 4a	Bulk, Chamber w. bearing cpl. (5 pcs)			97690603	1	pcs
+ 4a	Chamber w. bearing cpl.			98371226	1	pcs
- 4	Bulk, Chamber cpl. (5 pcs)			97690021	4	pcs
45	Bulk, Neck ring (24 pcs)			96536194	1	

Position	Description	Annotation	Classification data	Part No.	Count	Unit
65	Bulk, Neck ring retainer (8 pcs)			99490745	1	
65	Bulk, Neck ring retainer (24 pcs)			99490747	1	
+ 4	Bulk, Chamber cpl. (10 pcs)			96547663	4	pcs
+ 4	Chamber cpl.			98371224	4	pcs
+ 5a	Chamber cpl.			98371222	1	pcs
6	Base			96588139	1	pcs
7a	Bulk, Combi Slot Torx screw (1000 pcs)			96886324	4	pcs
7	Bulk, Coupling guard (10 pcs)			96603690	2	pcs
+ 18	Bulk, Air vent screw (5 pcs)			96547461	1	pcs
+ 18	Air vent screw			95061351	1	pcs
- 25a	Drain plug w/bypass valve			96588243	1	pcs
38	Bulk, O-ring (10 pcs)		Diameter: 16,3	99198815	1	
			Material type: EPDM			
			Thickness: 2,4			
38	Bulk, O-ring (50 pcs)		Diameter: 16,3	99412727	1	
			Material type: EPDM			
			Thickness: 2,4			
26	Staybolt		Length: 209	98967030	4	pcs
			Thread: M12			
37	Bulk, O-ring (24 pcs)			96547656	2	pcs
38	Bulk, O-ring (10 pcs)		Diameter: 16,3	99198815	2	pcs
			Material type: EPDM			
			Thickness: 2,4			
38	Bulk, O-ring (50 pcs)		Diameter: 16,3	99412727	2	pcs
			Material type: EPDM			
			Thickness: 2,4			
+ 44a	Guide vane			98488445	1	pcs
47	Bulk, Bearing ring, rotating (10 pcs)			97905743	1	pcs
47	Bearing ring, rotating			96547649	1	pcs
+ 49	Impeller cpl.			98394411	6	pcs
51	Shaft, spline, cpl.			98368512	1	pcs
55	Outer sleeve			98811269	1	pcs
56	Base plate			96588142	1	pcs
60	Formed wire spring			96547664	1	pcs
64c	Bulk, Clamp, splined (5 pcs)		Inner diameter: 8,5	98496968	1	pcs
			Outer diameter: 15			
64a	Bulk, Spacing pipe (24 pcs)			96536198	4	pcs
66	Bulk, Wedge lock washer (10 pcs)			96536157	1	pcs
67	Bulk, Lock nut (10 pcs)		Thread: M8	98277008	1	pcs
+ 105	Bulk, Shaft seal (15 pcs)		Material type: HQQE	96983415	1	pcs