


Count	Description
1	<p data-bbox="225 338 552 367"><b>CRN 5-20 A-FGJ-A-E-HQQE</b></p>  <p data-bbox="225 660 493 687">Product No.: <a href="#">96085042</a></p> <p data-bbox="225 689 748 777">Vertical, non-self-priming, multistage, in-line, centrifugal pump for installation in pipe systems and mounting on a foundation.</p> <p data-bbox="225 808 703 837">The pump has the following characteristics:</p> <ul data-bbox="264 840 782 1014" style="list-style-type: none"> <li>- Impellers, intermediate chambers and outer sleeve are made of</li> <li>- Pump head cover and base are made of</li> <li>- The shaft seal has assembly length according to EN 12756.</li> <li>- Power transmission is via cast iron split coupling.</li> </ul> <p data-bbox="225 1046 424 1075">flanges/couplings.</p> <p data-bbox="225 1106 600 1135">The motor is a 1-phase AC motor.</p> <p data-bbox="225 1167 336 1193"><b>Controls:</b></p> <p data-bbox="225 1196 660 1225">Frequency converter:                NONE</p> <p data-bbox="225 1256 312 1283"><b>Liquid:</b></p> <p data-bbox="225 1285 657 1314">Pumped liquid:                        Water</p> <p data-bbox="225 1317 713 1346">Liquid temperature range:        -4 .. 248 °F</p> <p data-bbox="225 1348 707 1377">Liquid temperature during operation: 68 °F</p> <p data-bbox="225 1379 708 1408">Density:                                 62.29 lb/ft³</p> <p data-bbox="225 1440 352 1467"><b>Technical:</b></p> <p data-bbox="225 1469 695 1498">Rated pump speed:                    3508 rpm</p> <p data-bbox="225 1500 735 1529">Rated flow:                             30.4 US gpm</p> <p data-bbox="225 1532 676 1561">Rated head:                            489.5 ft</p> <p data-bbox="225 1563 675 1592">Pump orientation:                    Vertical</p> <p data-bbox="225 1594 660 1624">Shaft seal arrangement:            Single</p> <p data-bbox="225 1626 663 1655">Code for shaft seal:                 HQQE</p> <p data-bbox="225 1657 759 1686">Approvals on nameplate:         CURUS,NSF61</p> <p data-bbox="225 1688 786 1718">Curve tolerance:                     ISO9906:2012 3B</p> <p data-bbox="225 1749 344 1776"><b>Materials:</b></p> <p data-bbox="225 1778 751 1845">Base:                                     Stainless steel     EN 1.4408     AISI 316</p> <p data-bbox="225 1848 751 1937">Impeller:                                Stainless steel     EN 1.4401     AISI 316</p> <p data-bbox="225 1939 632 1968">Bearing:                                 SIC</p> <p data-bbox="225 2000 368 2027"><b>Installation:</b></p> <p data-bbox="225 2029 663 2058">Maximum ambient temperature: 104 °F</p> <p data-bbox="225 2060 671 2089">Maximum operating pressure: 363 psi</p>



Company name:

Created by:

Phone:

Date:

3/15/2019

Count	Description
	Max pressure at stated temperature: 363 psi / 250 °F 363 psi / -4 °F
	Type of connection: DIN / ANSI / JIS
	Size of inlet connection: DN 25/32
	Size of suction port: 1 1/4 inch
	Size of outlet connection: DN 25/32
	Size of outlet port: 1 1/4 inch
	Pressure rating for pipe connection: PN 25
	Flange rating inlet: 300 lb
	Flange size for motor: 213TC
	<b>Electrical data:</b>
	Motor standard: NEMA
	Motor type: Baldor
	Rated power - P2: 7.5 HP
	Power (P2) required by pump: 7.5 HP
	Main frequency: 60 Hz
	Rated voltage: 1 x 208-230 V
	Service factor: 1.15
	Rated current: 33.8-31.0 A
	Rated speed: 3450 rpm
	Number of poles: 2
	Insulation class (IEC 85): F
	<b>Others:</b>
	Net weight: 180 lb
	Gross weight: 197 lb
	Shipping volume: 11.3 ft <sup>3</sup>
	Country of origin: US
	Custom tariff no.: 8413.70.2040



Company name:

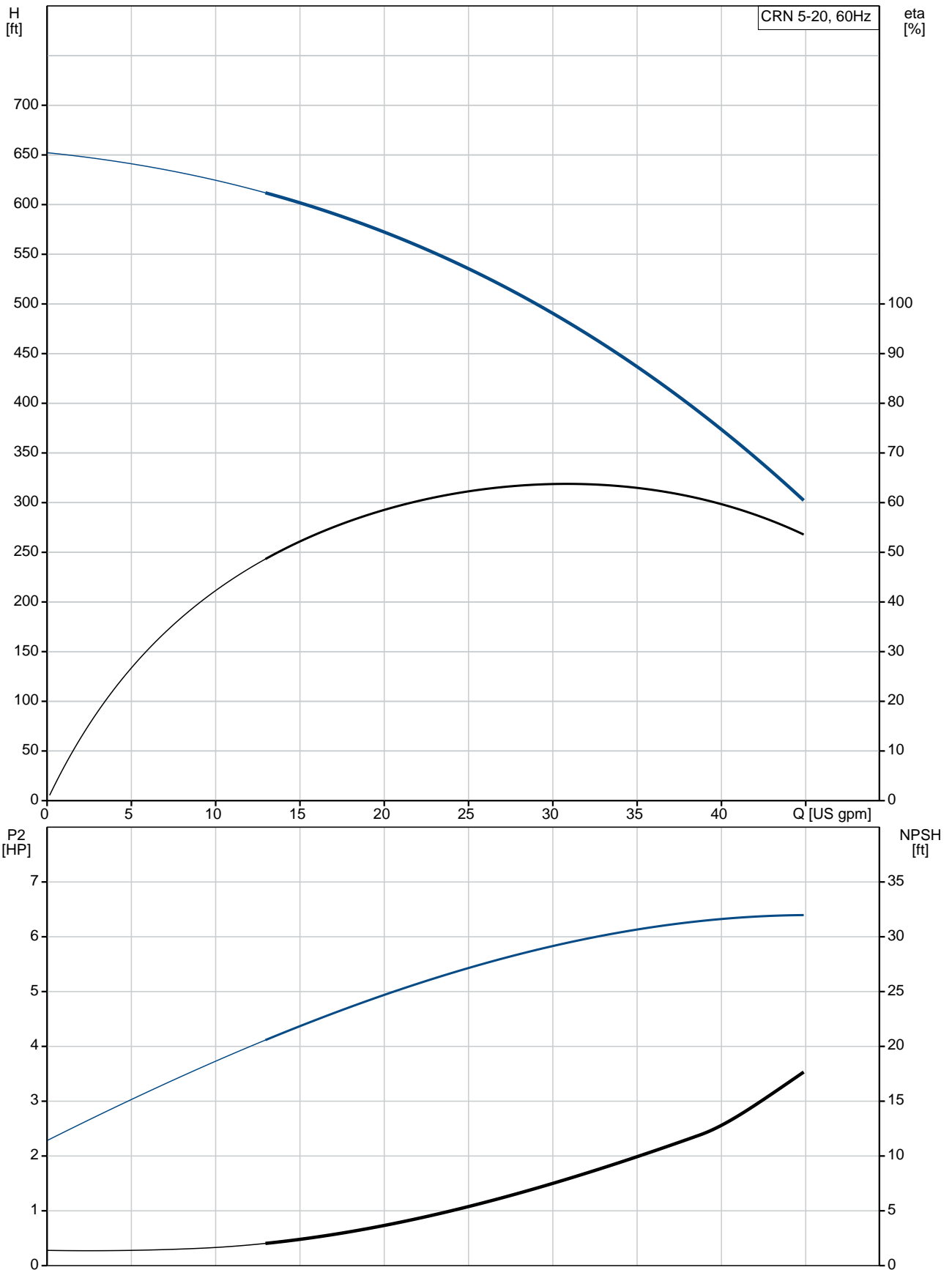
Created by:

Phone:

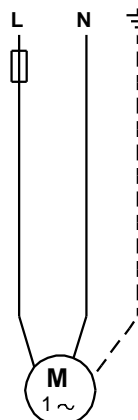
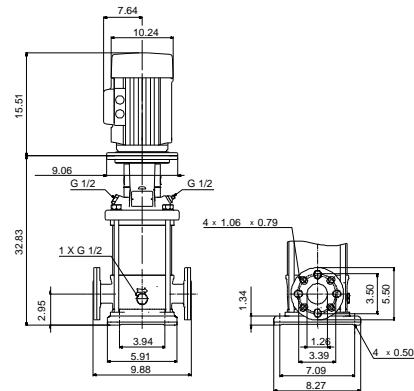
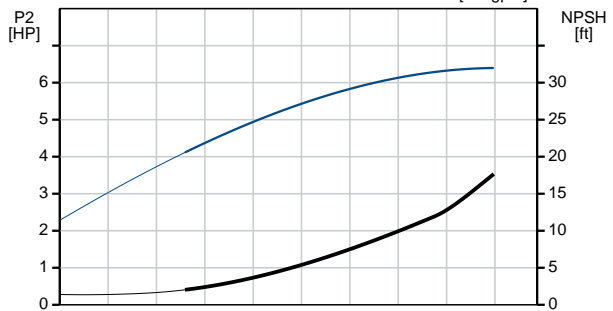
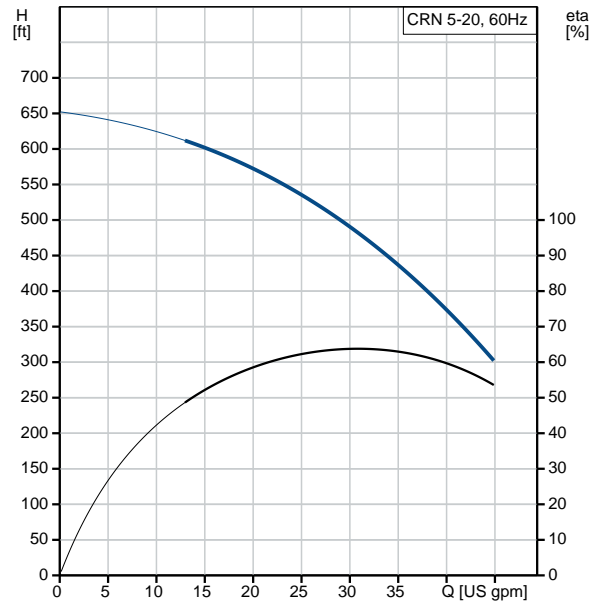
Date:

3/15/2019

### 96085042 CRN 5-20 A-FGJ-A-E-HQQE 60 Hz



Description	Value
<b>General information:</b>	
Product name:	CRN 5-20 A-FGJ-A-E-HQQE
Product No.:	96085042
EAN:	5700395198805
<b>Technical:</b>	
Rated pump speed:	3508 rpm
Rated flow:	30.4 US gpm
Rated head:	489.5 ft
Head max:	647 ft
Stages:	20
Impellers:	20
Number of reduced-diameter impellers:	0
Low NPSH:	N
Pump orientation:	Vertical
Shaft seal arrangement:	Single
Code for shaft seal:	HQQE
Approvals on nameplate:	CURUS,NSF61
Curve tolerance:	ISO9906:2012 3B
Pump version:	A
Model:	A
Cooling:	TEFC
<b>Materials:</b>	
Base:	Stainless steel EN 1.4408 AISI 316
Impeller:	Stainless steel EN 1.4401 AISI 316
Material code:	A
Code for rubber:	E
Bearing:	SIC
<b>Installation:</b>	
Maximum ambient temperature:	104 °F
Maximum operating pressure:	363 psi
Max pressure at stated temperature:	363 psi / 250 °F 363 psi / -4 °F
Type of connection:	DIN / ANSI / JIS
Size of inlet connection:	DN 25/32
Size of suction port:	1 1/4 inch
Size of outlet connection:	DN 25/32
Size of outlet port:	1 1/4 inch
Pressure rating for pipe connection:	PN 25
Flange rating inlet:	300 lb
Flange size for motor:	213TC
Connect code:	FGJ
<b>Liquid:</b>	
Pumped liquid:	Water
Liquid temperature range:	-4 .. 248 °F
Liquid temperature during operation:	68 °F
Density:	62.29 lb/ft³
<b>Electrical data:</b>	
Motor standard:	NEMA
Motor type:	Baldor
Rated power - P2:	7.5 HP
Power (P2) required by pump:	7.5 HP
Main frequency:	60 Hz
Rated voltage:	1 x 208-230 V





Company name:

Created by:

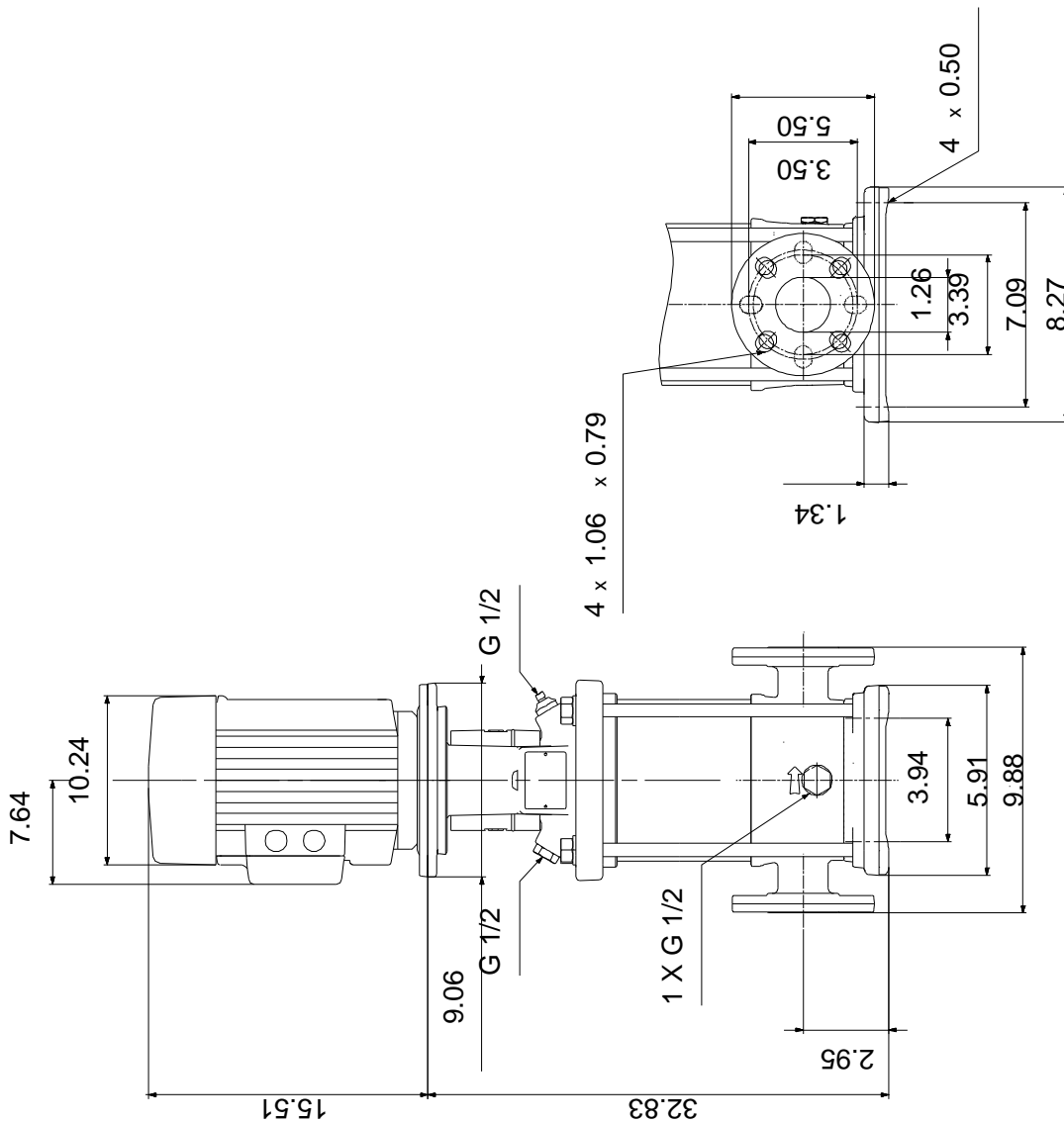
Phone:

Date:

3/15/2019

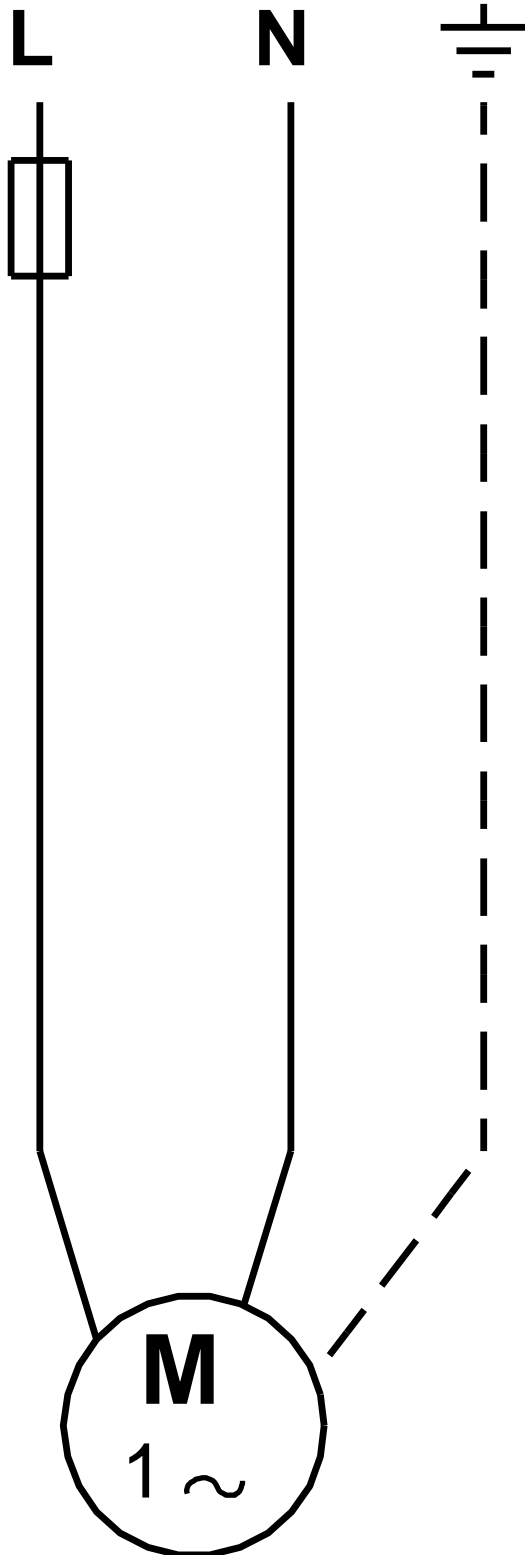
Description	Value
Service factor:	1.15
Rated current:	33.8-31.0 A
Load current:	39.3-35.5 A
Rated speed:	3450 rpm
Number of poles:	2
Insulation class (IEC 85):	F
Motor protection:	NONE
Motor Number:	85700017
<b>Controls:</b>	
Frequency converter:	NONE
<b>Others:</b>	
Net weight:	180 lb
Gross weight:	197 lb
Shipping volume:	11.3 ft <sup>3</sup>
Country of origin:	US
Custom tariff no.:	8413.70.2040

**96085042 CRN 5-20 A-FGJ-A-E-HQQE 60 Hz**



Note! All units are in [mm] unless otherwise stated.  
Disclaimer: This simplified dimensional drawing does not show all details.

**96085042 CRN 5-20 A-FGJ-A-E-HQQE 60 Hz**



All units are [mm] unless otherwise presented.