


Count	Description
1	<p data-bbox="225 342 550 365">CRN 5-12 A-FGJ-A-V-HQQV</p>  <p data-bbox="225 663 491 685">Product No.: 96085126</p> <p data-bbox="225 692 748 777">Vertical, non-self-priming, multistage, in-line, centrifugal pump for installation in pipe systems and mounting on a foundation.</p> <p data-bbox="225 810 703 837">The pump has the following characteristics:</p> <ul data-bbox="264 842 780 1016" style="list-style-type: none"> - Impellers, intermediate chambers and outer sleeve are made of - Pump head cover and base are made of - The shaft seal has assembly length according to EN 12756. - Power transmission is via cast iron split coupling. <p data-bbox="225 1048 424 1075">flanges/couplings.</p> <p data-bbox="225 1108 600 1135">The motor is a 3-phase AC motor.</p> <p data-bbox="225 1169 336 1196">Controls:</p> <p data-bbox="225 1200 660 1227">Frequency converter: NONE</p> <p data-bbox="225 1261 309 1288">Liquid:</p> <p data-bbox="225 1292 660 1319">Pumped liquid: Water</p> <p data-bbox="225 1323 715 1350">Liquid temperature range: -4 .. 194 °F</p> <p data-bbox="225 1355 708 1382">Liquid temperature during operation: 68 °F</p> <p data-bbox="225 1386 708 1413">Density: 62.29 lb/ft³</p> <p data-bbox="225 1447 347 1473">Technical:</p> <p data-bbox="225 1478 695 1505">Rated pump speed: 3461 rpm</p> <p data-bbox="225 1509 735 1536">Rated flow: 30.4 US gpm</p> <p data-bbox="225 1541 676 1568">Rated head: 291.7 ft</p> <p data-bbox="225 1572 676 1599">Pump orientation: Vertical</p> <p data-bbox="225 1603 660 1630">Shaft seal arrangement: Single</p> <p data-bbox="225 1635 660 1662">Code for shaft seal: HQQV</p> <p data-bbox="225 1666 676 1693">Approvals on nameplate: CURUS</p> <p data-bbox="225 1697 788 1724">Curve tolerance: ISO9906:2012 3B</p> <p data-bbox="225 1758 341 1785">Materials:</p> <p data-bbox="225 1789 751 1852">Base: Stainless steel EN 1.4408 AISI 316</p> <p data-bbox="225 1863 751 1926">Impeller: Stainless steel EN 1.4401 AISI 316</p> <p data-bbox="225 1937 632 1964">Bearing: SIC</p> <p data-bbox="225 1998 363 2024">Installation:</p> <p data-bbox="225 2029 660 2056">Maximum ambient temperature: 140 °F</p> <p data-bbox="225 2060 671 2087">Maximum operating pressure: 363 psi</p>



Company name:

Created by:

Phone:

Date:

3/5/2019

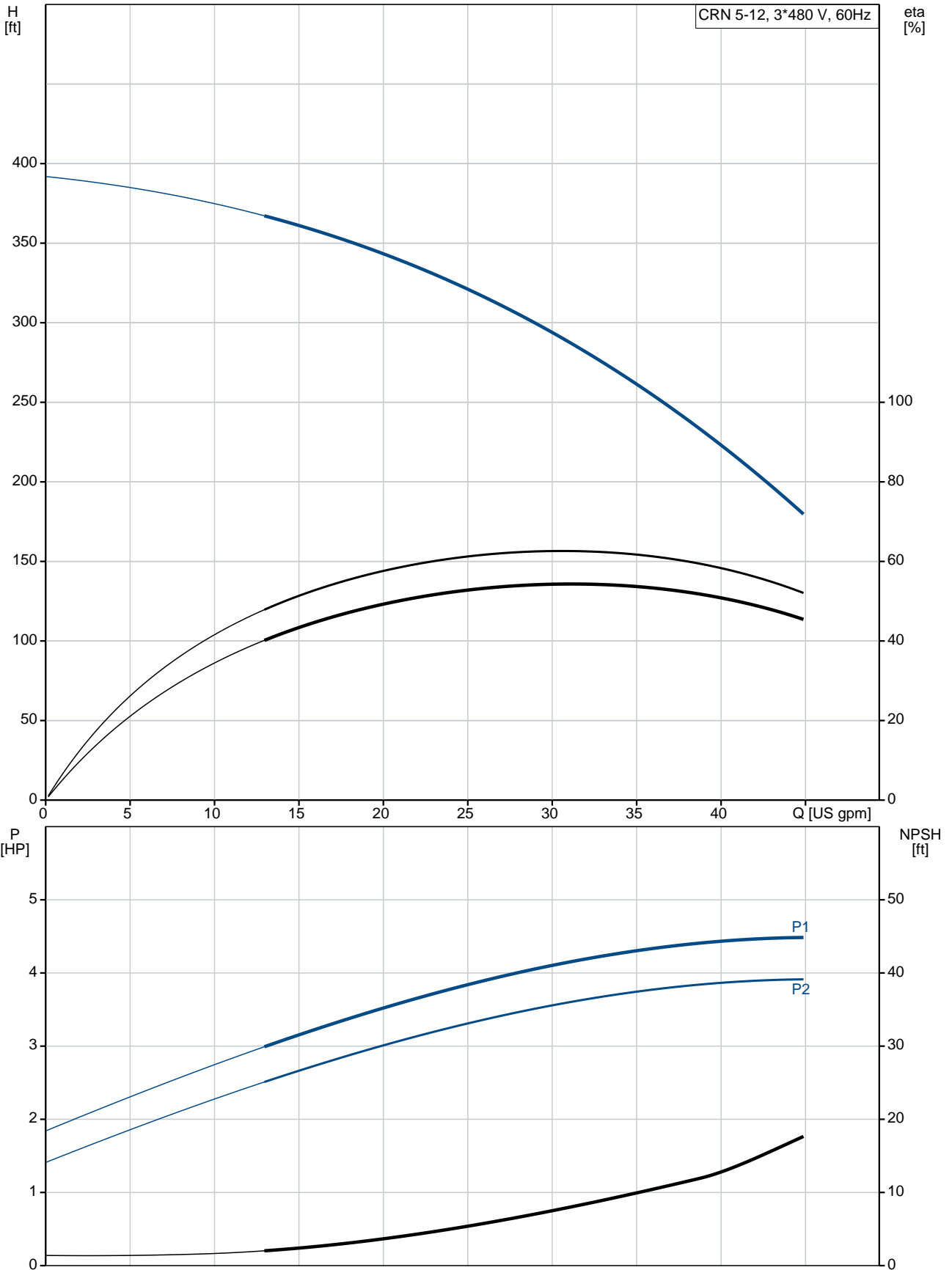
Count	Description
	Max pressure at stated temperature: 363 psi / 194 °F 363 psi / -4 °F
	Type of connection: DIN / ANSI / JIS
	Size of inlet connection: DN 25/32
	Size of suction port: 1 1/4 inch
	Size of outlet connection: DN 25/32
	Size of outlet port: 1 1/4 inch
	Pressure rating for pipe connection: PN 25
	Flange rating inlet: 300 lb
	Flange size for motor: 182TC
	Electrical data:
	Motor standard: NEMA
	Motor type: 112CA
	IE Efficiency class: NEMA Premium / IE3 60Hz
	Rated power - P2: 5 HP
	Power (P2) required by pump: 5 HP
	Main frequency: 60 Hz
	Rated voltage: 3 x 208-230YY/460Y V
	Service factor: 1.15
	Rated current: 14,1-13,1/7,29 A
	Starting current: 1000-1470 %
	Cos phi - power factor: 0.89-0.86
	Rated speed: 3525-3540 rpm
	IE efficiency: IE3 88,5%
	Motor efficiency at full load: 88.5 %
	Motor efficiency at 3/4 load: 88.6 %
	Motor efficiency at 1/2 load: 85.2 %
	Number of poles: 2
	Enclosure class (IEC 34-5): 55 Dust/Jetting
	Insulation class (IEC 85): F
	Others:
	Net weight: 139 lb
	Gross weight: 157 lb
	Shipping volume: 10.1 ft ³
	Country of origin: US
	Custom tariff no.: 8413.70.2040



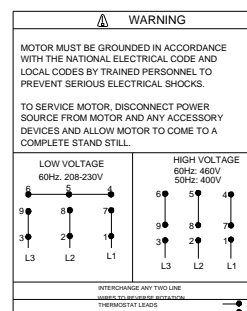
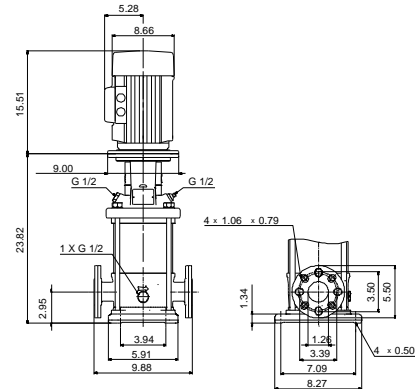
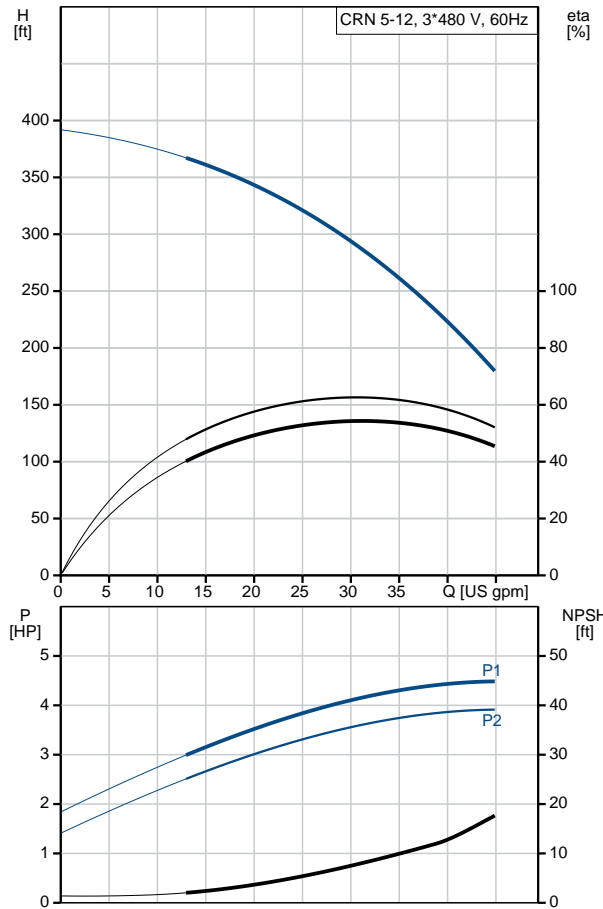
Company name:
Created by:
Phone:

Date: 3/5/2019

96085126 CRN 5-12 A-FGJ-A-V-HQQV 60 Hz



Description	Value
General information:	
Product name:	CRN 5-12 A-FGJ-A-V-HQQV
Product No.:	96085126
EAN:	5700395199642
Technical:	
Rated pump speed:	3461 rpm
Rated flow:	30.4 US gpm
Rated head:	291.7 ft
Head max:	391.8 ft
Stages:	12
Impellers:	12
Number of reduced-diameter impellers:	0
Low NPSH:	N
Pump orientation:	Vertical
Shaft seal arrangement:	Single
Code for shaft seal:	HQQV
Approvals on nameplate:	CURUS
Curve tolerance:	ISO9906:2012 3B
Pump version:	A
Model:	A
Cooling:	TEFC
Materials:	
Base:	Stainless steel EN 1.4408 AISI 316
Impeller:	Stainless steel EN 1.4401 AISI 316
Material code:	A
Code for rubber:	V
Bearing:	SIC
Installation:	
Maximum ambient temperature:	140 °F
Maximum operating pressure:	363 psi
Max pressure at stated temperature:	363 psi / -4 °F
Type of connection:	DIN / ANSI / JIS
Size of inlet connection:	DN 25/32
Size of suction port:	1 1/4 inch
Size of outlet connection:	DN 25/32
Size of outlet port:	1 1/4 inch
Pressure rating for pipe connection:	PN 25
Flange rating inlet:	300 lb
Flange size for motor:	182TC
Connect code:	FGJ
Liquid:	
Pumped liquid:	Water
Liquid temperature range:	-4 .. 194 °F
Liquid temperature during operation:	68 °F
Density:	62.29 lb/ft ³
Electrical data:	
Motor standard:	NEMA
Motor type:	112CA
IE Efficiency class:	NEMA Premium / IE3 60Hz
Rated power - P2:	5 HP
Power (P2) required by pump:	5 HP
Main frequency:	60 Hz





Company name:

Created by:

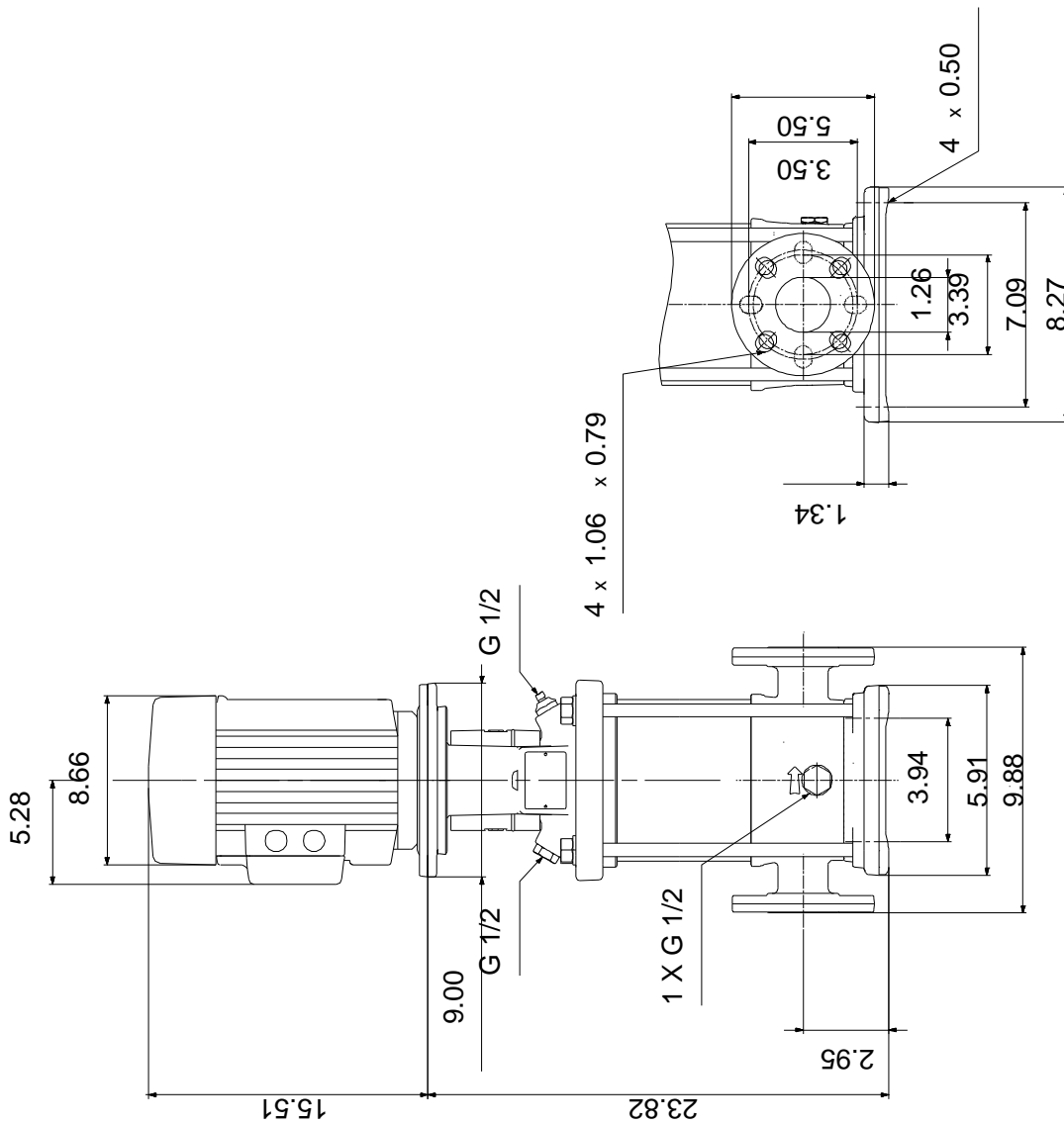
Phone:

Date:

3/5/2019

Description	Value
Rated voltage:	3 x 208-230YY/460Y V
Service factor:	1.15
Rated current:	14,1-13,1/7,29 A
Starting current:	1000-1470 %
Load current:	16,2-15,0/8,40 A
Cos phi - power factor:	0.89-0.86
Rated speed:	3525-3540 rpm
IE efficiency:	IE3 88,5%
Motor efficiency at full load:	88.5 %
Motor efficiency at 3/4 load:	88.6 %
Motor efficiency at 1/2 load:	85.2 %
Number of poles:	2
Enclosure class (IEC 34-5):	55 Dust/Jetting
Insulation class (IEC 85):	F
Motor protection:	PTC
Motor Number:	85904389
Controls:	
Frequency converter:	NONE
Others:	
Net weight:	139 lb
Gross weight:	157 lb
Shipping volume:	10.1 ft ³
Country of origin:	US
Custom tariff no.:	8413.70.2040

96085126 CRN 5-12 A-FGJ-A-V-HQQV 60 Hz



Note! All units are in [mm] unless otherwise stated.
Disclaimer: This simplified dimensional drawing does not show all details.

96085126 CRN 5-12 A-FGJ-A-V-HQQV 60 Hz



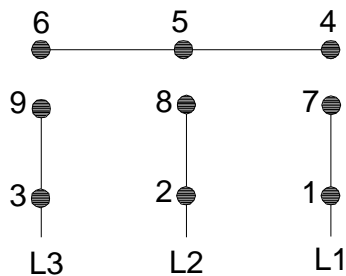
WARNING

MOTOR MUST BE GROUNDED IN ACCORDANCE WITH THE NATIONAL ELECTRICAL CODE AND LOCAL CODES BY TRAINED PERSONNEL TO PREVENT SERIOUS ELECTRICAL SHOCKS.

TO SERVICE MOTOR, DISCONNECT POWER SOURCE FROM MOTOR AND ANY ACCESSORY DEVICES AND ALLOW MOTOR TO COME TO A COMPLETE STAND STILL.

LOW VOLTAGE

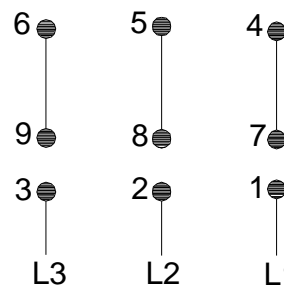
60Hz. 208-230V



HIGH VOLTAGE

60Hz: 460V

50Hz: 400V



96553852

INTERCHANGE ANY TWO LINE WIRES TO REVERSE ROTATION
THERMOSTAT LEADS
(WHEN PROVIDED)

